

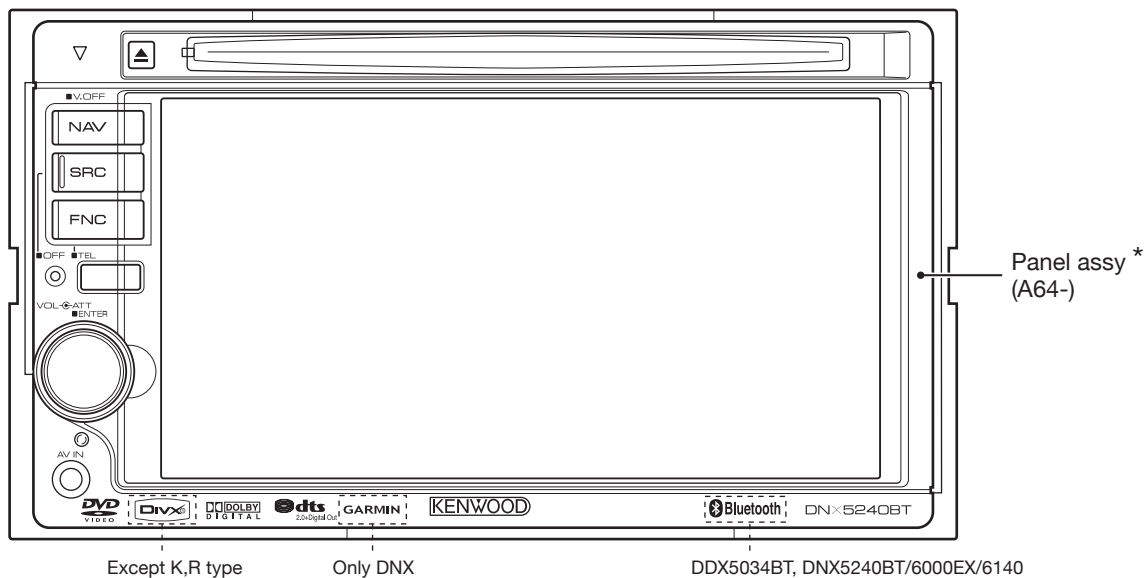
MONITOR WITH DVD RECEIVER / GPS NAVIGATION SYSTEM
DDX5024/5034/5034BT/5034M
/5054/514/54R
DNX5140/5240/5240BT/6000EX/6140
SERVICE MANUAL

KENWOOD

Kenwood Corporation

© 2008-11 PRINTED IN JAPAN
 B53-0693-00 (N) 429

Illustrations is DNX5240BT

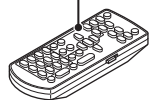


Except K,R type

Only DNX

DDX5034BT, DNX5240BT/6000EX/6140

Remote controller *
(A70-2083-15)

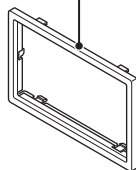


RC-DV340

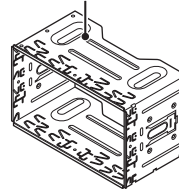
Size AAA battery
Not supplied



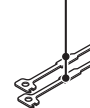
Escutcheon
(B07-3165-02)



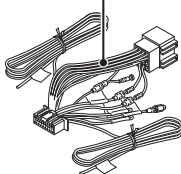
Mounting hardware assy
(J22-0657-03)



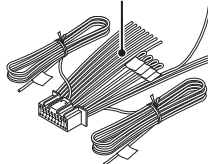
Lever
(D10-7012-04) x2



DC cord *
(E30-6796-05)



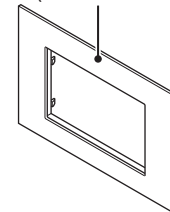
DC cord *
(E30-6881-05)



Adhesive double-coated tape *
(H30-0595-04)



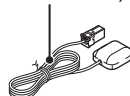
Escutcheon *
(B07-3172-12)



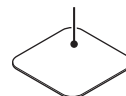
Microphone *
(W01-1718-05)



Antenna module(GPS-ANT) *
(W02-5305-05)



Mounting hardware *
(J21-9867-04)



Screw set *
(N99-1779-15)



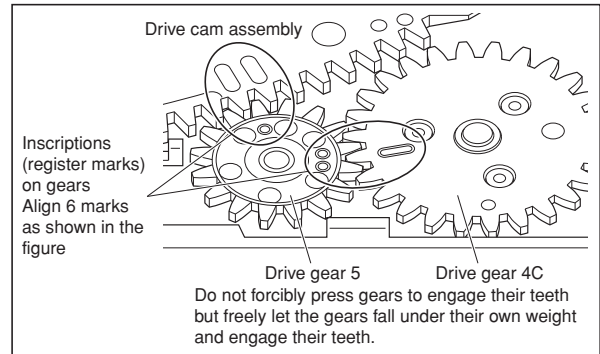
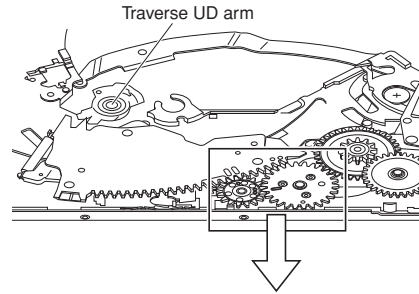
- The IC3, and IC11 in the DVD unit (X37-123-00/1250-00) are not replaceable components. When these ICs are defective, replace the whole DVD mechanism assembly (X92-6380-00 /6400-00). You cannot replace only the board.
- **Test Mode and Adjustment are the same as DDX5022's.**
Please refer to the service manual (DDX5022's: B53-0620-00).
- PCB extension JIGs is the same as DDX5022's.
Please refer to STR_B250-08-010E.

* Depends on the models. Refer to the parts list.



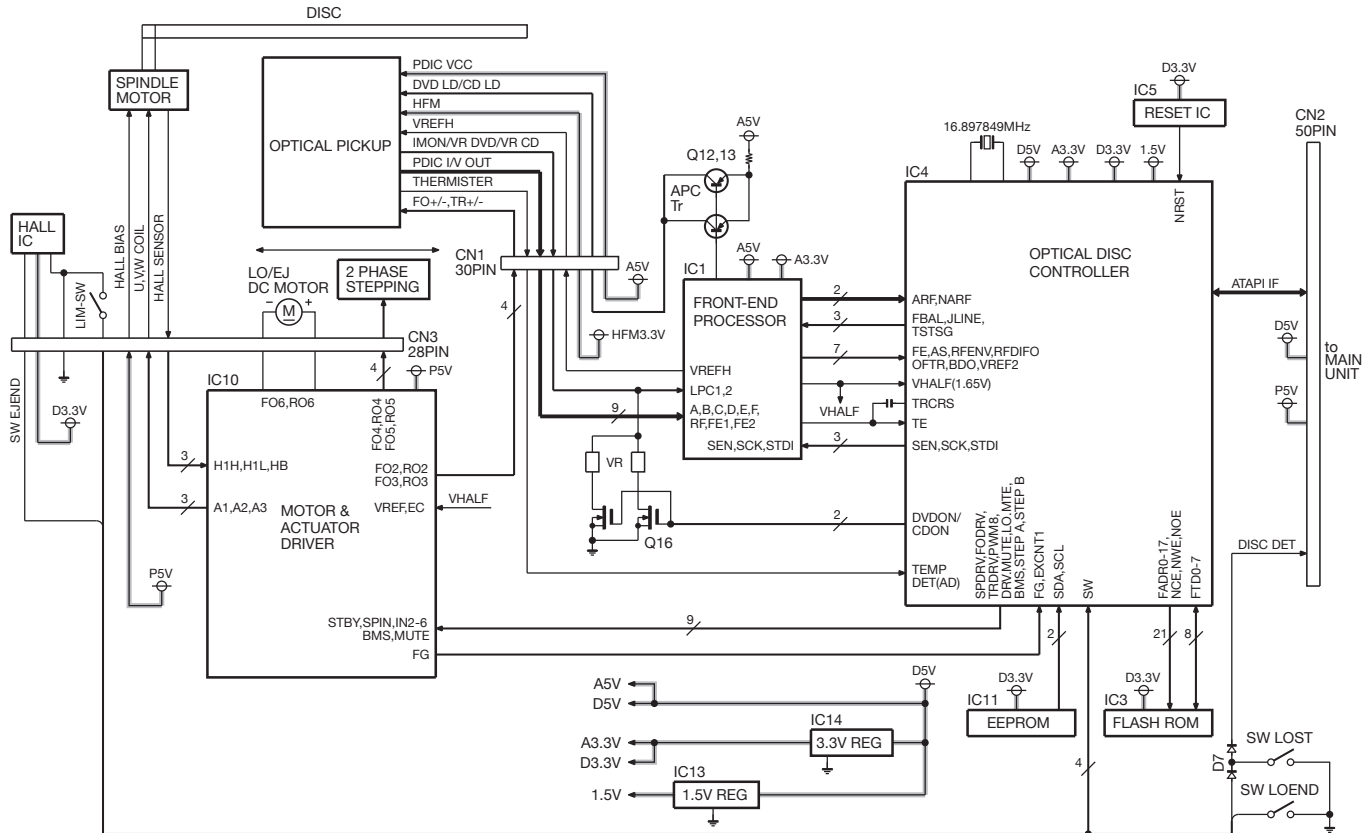
GEAR POSITION IN A DVD MECHANISM

In assembling the Traverse UD arm, Drive cam assembly, Drive gear 5 and Drive gear 4C, align register marks on these components.

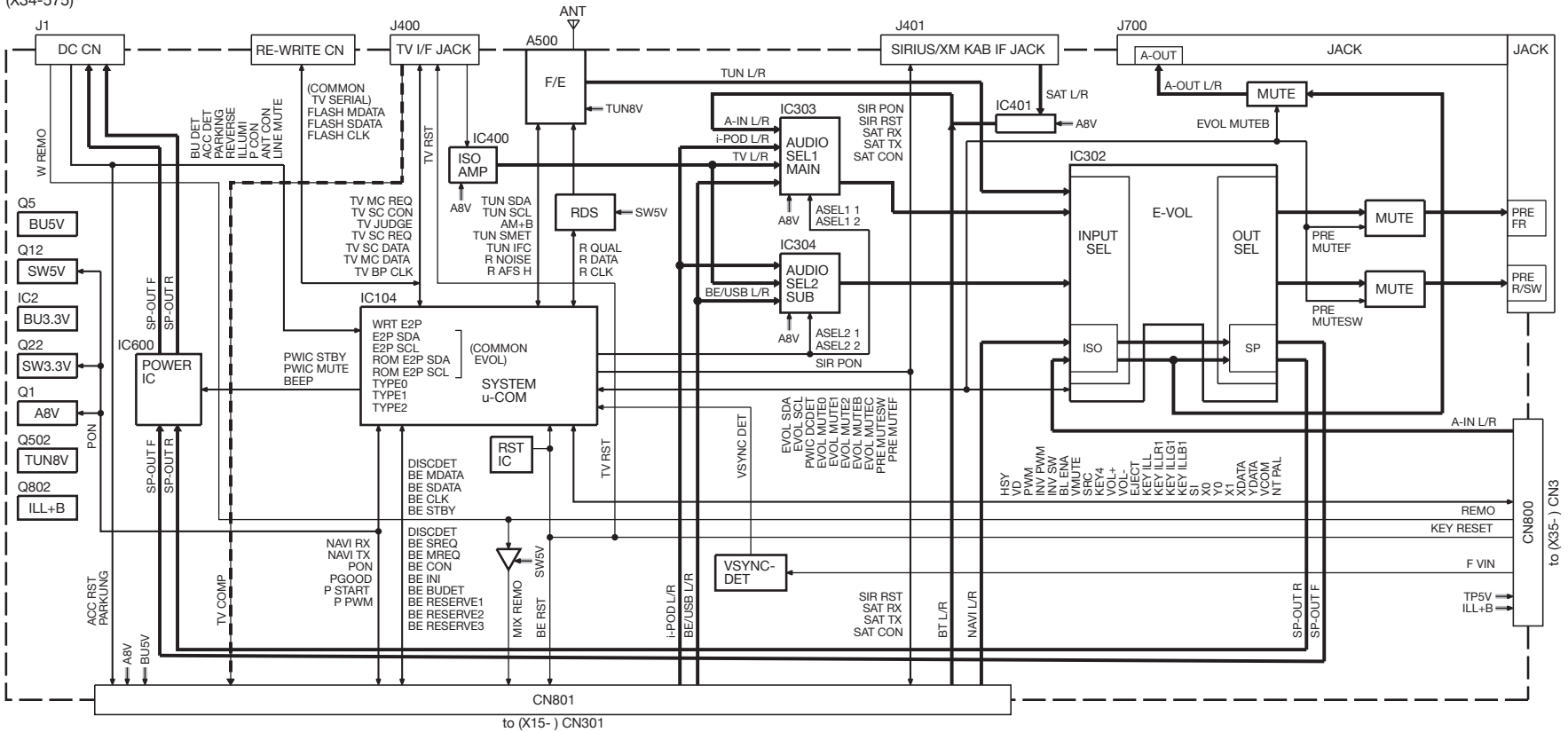


BLOCK DIAGRAM

DVS-8220V/W BLOCK DIAGRAM (X37-123/125)



(X34-575)

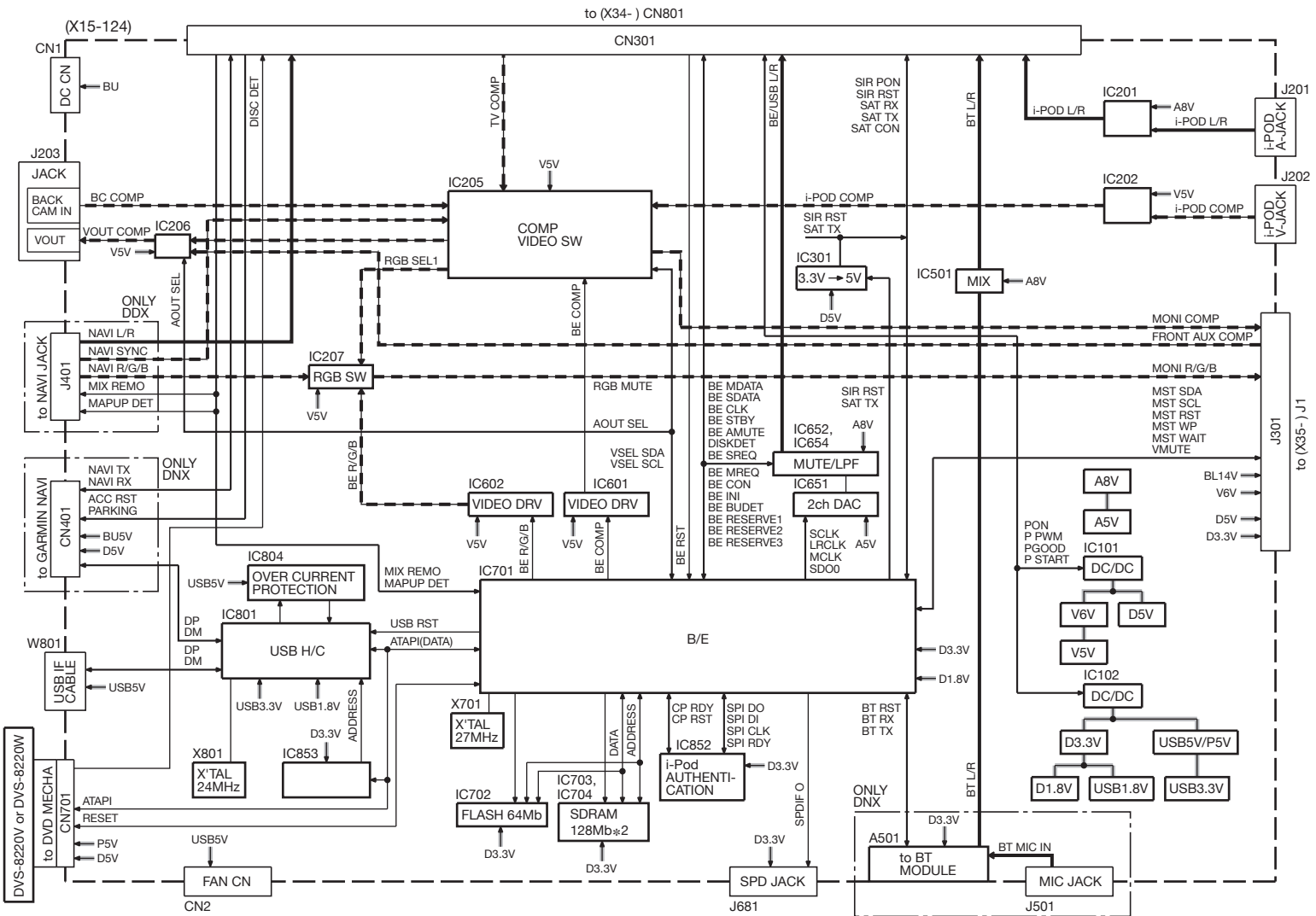


to (X15-) CN301

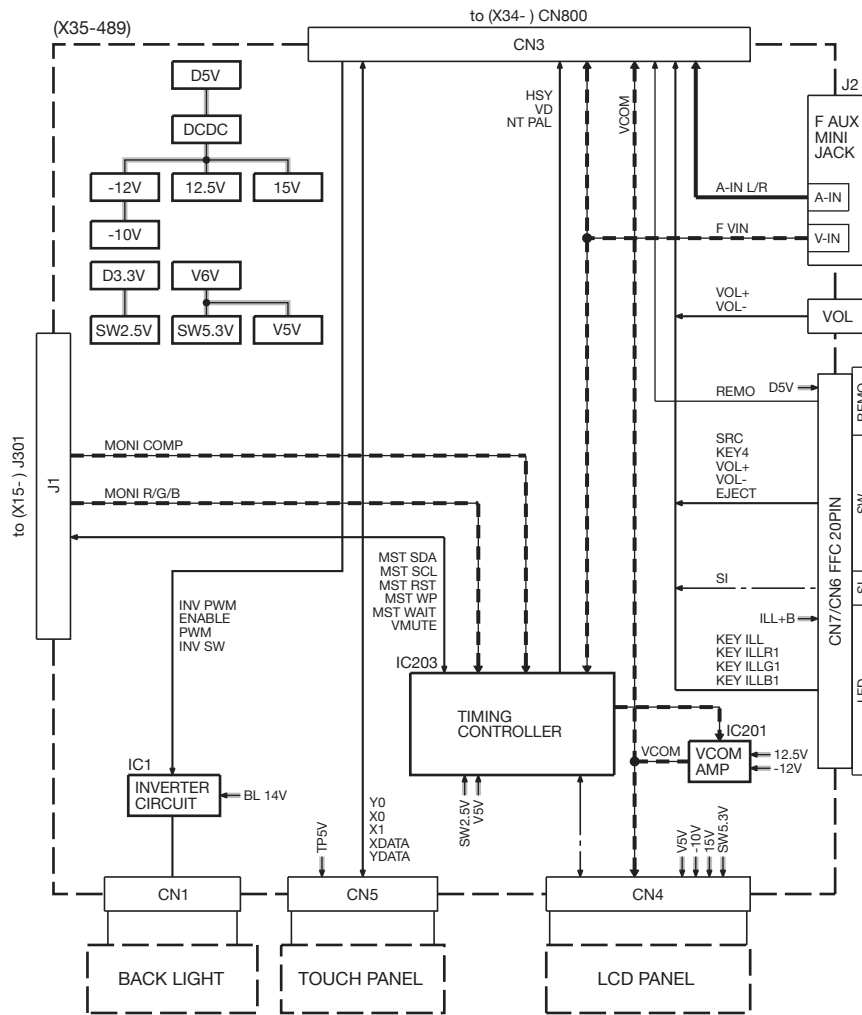
BLOCK DIAGRAM

DDX5024/5034/5034BT/5034M/5054/514/54R
DNX5140/5240/5240BT/6000EX/6140

BLOCK DIAGRAM



BLOCK DIAGRAM



COMPONENTS DESCRIPTION**● VIDEO CONTROL UNIT (X15-124x-xx)**

Ref. No.	Application / Function	Operation / Condition / Compatibility
IC100	DC/DC converter IC	DC/DC control for USB5V/D5V
IC101	DC/DC converter IC	DC/DC control for SW3.3V/V6V
IC201	AUDIO ISO AMP	iPod audio signal
IC202	VIDEO ISO AMP	iPod video signal
IC203	Regulator	V6V→V5V regulator
IC205	Video selector	5IN 2OUT DVD-BE/NAVI/TV/Ipod/BackCamera COMPOSITE signal Select
IC206	Video selector	Selector for selecting FRONT AUX output or IC205 output for external video output
IC207	Video selector	DVD-BE and NAVI RGB selector
IC301	AND x 4	KAB IF 3.3V→5V LEVEL SHIFT
IC501	OP-AMP X 2	LPF for BT-AUDIO
IC502	BUS BUFFER X 2	BUFFER for BT control signal wave shaping
IC601	Video amplifier	DVD-BE COMPOSITE SIGNAL LPF/BUFFER
IC602	Video amplifier	DVD-BE RGB SIGNAL LPF/BUFFER
IC651	AUDIO DAC	DVD-BE AUDIO D/A CONVERTER
IC652	OP-AMP X 2	DVD-BE AUDIO LPF
IC654	OP-AMP X 2	For AUDIO REFERENCE4V
IC701	MPEG DECODER	DVD/USB MPEG DECODER
IC702	64M FLASH	FLASH MEMORY(PMP 4Z3 / MP 4Z4) for MPEG DECODER
IC703,704	128M SDRAM	SDRAM for MPEG DECODER
IC705	Regulator	3.3V→1.8V regulator for MPEG DECODER
IC801	USB HOST CONTROLLER	2 ports (For external and GARMIN NAVI) USB HOST CONTROLLER
IC804	Fixed Current Limit Power Distribution Switch	Large current distribution switch for USB
IC805	Regulator	5V→3.3V regulator for USB
IC806	Regulator	SW3.3V→1.8V regulator for USB
IC852	iPod Authentication Coprocesor	iPod Authentication
IC853	D-TYPE LATCH X 8	Address latch for USB H/C
Q1~3	SW	P-ON 14V control
Q4	SW FET	P-ON 14V ON/OFF
Q100~103	SW	DC/DC protection control
Q104	SW	DC/DC SW FET (USB5V)
Q105	SW	DC/DC SW FET (D5V)
Q106	SW	DC/DC SW FET (SW3.3V)
Q107	SW	DC/DC SW FET (V6V)
Q301,302	SW	KAB_RX error connection protection
Q303	SW	For KAB_TX control
Q651~653	SW	A5V circuit
Q681,682	BUFFER	SPDIF OUTPUT BUFFER

COMPONENTS DESCRIPTION**● ELECTRIC UNIT (X34-575x-xx)**

Ref. No.	Application / Function	Operation / Condition / Compatibility
IC1	3-terminal regulator	For Audio8V
IC2	3.3V regulator	BU_3.3V
IC100	Buffer for remote controller	Remote controller signal waveform shaping
IC101	Voltage detector	μ-com reset voltage (3.5V) monitoring
IC103	E2PROM	For saving the settings
IC104	System μ-com IC	System control
IC105		NAVI interface waveform conversion (3.3 → 5V)
IC300	Logic IC (multiplexer)	Audio signal selection (Main BT)
IC302	Electronic volume IC	Audio volume control and audio signal selection
IC303	Logic IC (multiplexer)	Audio signal selection (Main)
IC304	Logic IC (multiplexer)	Audio signal selection (Sub)
IC400	AUDIO ISO AMP	For TVBOX audio signal
IC401	AUDIO ISO AMP	For KAB audio signal
IC402	Logic IC (inverter)	TVBOX data signal waveform shaping
IC500	RDS decoder IC	For RDS signal processing and demodulation
IC600	Power IC	Power amplifier for speaker output
Q1,2	Transistor	Audio8V
Q3,4	Transistor	P_CON output circuit
Q5	Transistor	BU5V
Q6	Transistor	Reverse detection circuit
Q7	Transistor	Audio8V
Q8	Transistor	BU5V
Q9	Transistor	P_CON output circuit
Q10	Transistor	Parking detection circuit
Q11	Transistor	P_CON output circuit
Q12	Transistor	SW5V circuit
Q13	Transistor	ILLUMI detection circuit
Q14	Transistor	ANT_CON output circuit
Q15	Transistor	SW5V circuit
Q16	Transistor	ANT_CON output circuit
Q17	Transistor	BU detection circuit
Q20	Transistor	Surge detection circuit
Q21,22	Transistor	SW3.3V circuit
Q23	Transistor	ACC detection circuit
Q24,25	Transistor	SW14V circuit
Q100~102	Transistor	ACC detection/KEY RESET
Q103,104	Transistor	DET MUTE circuit (Trigger Bu-DET)
Q105	Transistor	DET MUTE circuit (Trigger Reset)
Q107	Transistor	TVBOX RESET
Q108	Transistor	DET MUTE circuit (Trigger Bu-DET)

COMPONENTS DESCRIPTION

Ref. No.	Application / Function	Operation / Condition / Compatibility
Q110	Transistor	SI
Q111	Transistor	Synchronizing separator circuit of FRONT VIDEO input
Q112	Transistor	SI
Q113~118	Transistor	Synchronizing separator circuit of FRONT VIDEO input
Q300	Transistor	Electronic volume IC MUTE
Q301~305	Transistor	For AUDIO selector
Q403	Transistor	KAB power supply
Q406	FET	KAB power supply
Q407	Transistor	KAB detection
Q500~503	Transistor	TUNER8V circuit
Q504,505	Transistor	On when AM (Tuner 8V)
Q700	Transistor	Pre-OutMute circuit (AV-OUT)
Q701	Transistor	Pre-OutMute circuit (REAR, SUB)
Q702~705	Transistor	Pre-OutMute circuit (FRONT)
Q706~708	Transistor	Pre-OutMute circuit (REAR, SUB)
Q709~711	Transistor	Pre-OutMute circuit (AV-OUT)
Q800,801	Transistor	LED9V SW
Q802,803	Transistor	LED9V
Q804	Transistor	X15 SW-REG PSTART

● VIDEO UNIT (X35-4890-10)

Ref. No.	Application / Function	Operation / Condition / Compatibility
IC1	Inverter control IC	Control and drive of the inverter circuit for the back light
IC101	NOT	Reverse
IC102	DC/DC converter IC	+12.5V/-12.0V power supply for VCOM amplifier and +15.0V power supply for LCD
IC200	Regulator	2.5V regulator
IC201	Op-amp	For VCOM amplifier
IC202	D flip flop	LCD dot clock timing
IC203	γ T/C	Control of LCD module
IC204	OR	For V_MUTE
IC205	Regulator	5.3V regulator
IC206	Buffer	5V→3.3V level conversion
IC207	FROM	For Mstar FW
IC208	Regulator	5.3V regulator
IC501	AND	3.3V→5V level conversion
IC700	Remote controller photoreceptor	Detection for remote controller
Q1	5V constant voltage	5V power supply for inverter control IC
Q2	Dimmer SW	Turn on or off in response to the PWM control signal to dimmer the back light
Q3	SW	SW to change the free run frequency for inverter control IC
Q4,5	Inverter Driver	Drive of the inverter circuit

COMPONENTS DESCRIPTION

Ref. No.	Application / Function	Operation / Condition / Compatibility
Q100	-10V regulator	LCD-10V regulator
Q101	-10V regulator control	LCD-10V regulator
Q201,202	Buffer	For VCOM current amplification
Q400	Buffer	CVBS2
Q401	Buffer	CVBS1
Q450	SW	SW to be turned on or off by NTSC/PAL signal and to change the filter constants
Q451	Buffer	For VCOM automatic adjustment
Q500	Touch panel X0 SW	X0 SW: Turn on in response to X axis input and apply voltage
Q501	Touch panel Y0 SW	Y0 SW: Turn on in response to Y axis input and apply voltage
Q502	Touch panel X1 SW	X1 SW: Turn on in response to detection of the panel touch or X axis input and apply voltage
Q503	Touch panel Y0/Y1 SW	Y0/Y1 SW: Turn on in response to Y axis input and turn off in response to X axis input
Q504	Touch panel Y0 SW	Y0 SW: Turn on in response to Y axis input and apply voltage
Q600	SW	RGB_LED SW (green)
Q601	SW	RGB_LED SW (red)
Q602	Buffer	AUX
Q603	SW	RGB_LED SW (blue)
Q604	SW	LED SW (EJECT,DISC)
Q606	SW	5V→3.3V level conversion

● DVD UNIT (X37-1230/1240/1250-00)

Ref. No.	Application / Function	Operation / Condition / Compatibility
IC1	RF signal processing IC	RF signal processing
IC3	FLASH ROM	Maintain F/W for optical DISC control IC
IC4	Optical disc control IC in μ -com	Optical DISC general control / ATAPI interface
IC5	Voltage detection IC	For system resetting of optical DISC control IC
IC10	Driver IC	Focus coil, Tracking coil, Spindle motor, Sled motor and Lo/Ej motor drive
IC11	EEPROM	Maintain data for optical DISC control IC
IC13	1.5V power supply	5V→1.5V
IC14	3.3V power supply	5V→3.3V
Q1	Register integrated transistor	SL. MUTE control
Q2	Register integrated transistor	For FG signal
Q3	Register integrated transistor	LO.MUTE control
Q4	Register integrated transistor	DRMU control
Q12	Transistor for APC	Laser diode brightness control for CD
Q13	Transistor for APC	Laser diode brightness control for DVD
Q16	MOS-FET	Laser diode ON/OFF control for DVD/CD

MICROCOMPUTER'S TERMINAL DESCRIPTION**● SYSTEM MICROCOMPUTER 30878MJBA31GP (X34-575: IC104)**

Pin No.	Pin Name	I/O	Application	Processing / Operation / Description
1	EVOL_SDA/EVOL_SDA	I/O	Communication data with E-VOL	
1	EVOL_SDA/E2P_SDA	O	Communication data with E2P	
2	TV_MC_REQ	O	Request to TV μ -com	
2	NC	O	Output from model without TV is fixed to "L"	
3	TV_SC_CON	O	Request to start TV μ -com	
3	NC	O	Output from model without TV is fixed to "L"	
4	VSYNC_DET	I	Video external input detection	Detects if there is VSYNC signal or not
5	VOL+	I	Detects VOL key	Detects pulse width 15 pulses/360°, 2 clicks, 1 pulse
6	VOL-	I	Detects VOL key	Detects pulse width 15 pulses/360°, 2 clicks, 2 pulse
7	HSY	I	HD input	Counts HD
8	VD	I	VD (VSYNC) input	
9	SRC	I	Source key	
10	TV_SC_REQ	I	Request from TV μ -com	
10	NC	O	Output from model without TV is fixed to "L"	
11	REVERSE	I	Reverse detection	L: Detection, H: Normal
12	PWIC_STBY	O	Power IC standby	H: ON, L: OFF
13	INV_PWM	O	Inverter frequency control (Output by timer)	
14	PWIC_MUTE	O	Power IC output mute control	H: OFF, L: ON
15	BYTE			
16	CNVSS			
17	XCIN			
18	XCOU			
19	RESET			
20	XOUT			
21	VSS			
22	XIN			
23	VCC1			
24	NMI			
25	ACC_DET	I	ACC detection	H: ACC reduced power detection
26	BU_DET	I	Backup power supply detection	H: Backup reduced power detection
27	R_CLK	I	Clock input from RDS decoder	
27	NC	O	Output from model without RDS is fixed to "L" (To destination X and V)	
28	NC	O		
29,30	NC	O		Not used. Output is fixed to "L"
31	PWM	O	LCD brightness control (PWM output)	PWM output synchronized with VSY
32	PARKING	I	Parking detection (For all the destinations)	H: Detection, L: When car is running
33	BEEP	O	BEEP	PWM output

MICROCOMPUTER'S TERMINAL DESCRIPTION

Pin No.	Pin Name	I/O	Application	Processing / Operation / Description
34	NC	O		
35	POWER_PWM	O	Frequency control of DC-DC_IC (CLK output)	
36	NAV_RX	I	Communication with navigation system	
37	NAVI_TX	O	Communication with navigation system	
38	TV_MC_DATA	O	Data output to TV μ -com	
38	NC	O	Output from model without TV is fixed to "L"	
39	VCC1			
40	TV_SC_DATA	I	Data input from TV μ -com	
40	NC	O	Output from model without TV is fixed to "L"	
41	VSS			
42	TV_BP_CLK	O	Communication clock with TV μ -com	
42	NC	O	Output from model without TV is fixed to "L"	
43	NC	O		
44	TUN_SDA	I/O	Communication data with tuner	
45	TUN_SCL	O	Communication clock with tuner	
46	R_DATA	I	"DATA" input from RDS decoder	
46	NC	O	Output from model without RDS is fixed to "L"	
47	R_QUAL	I	"QUAL" input from RDS decoder	
47	NC	O	Output from model without RDS is fixed to "L"	
48~51	NC	O		
52	SI	O	SI control	H: ON, L: OFF
53,54	NC	O		
55	TYPE3	I	Terminal for destination (BT is required or not)	H: With BT, L: Without BT
56	VILL_R	O	Brightness control of "R" in variable illumination	Operating frequency: 1kHz
57	VSS			
58	VILL_G	O	Brightness control of "G" in variable illumination	Operating frequency: 1kHz
59	VCC2			
60	VILL_B	O	Brightness control of "B" in variable illumination	Operating frequency: 1kHz
61	KEY_ILL	O	ON/OFF of other illumination than variable illumination	H: ON, L: OFF
62	EJECT	I	Eject key input	
63	Y0	O	Touch panel control	
64	X1	O	Touch panel control	
65	NC	O		
66	X0	O	Touch panel control	
67	INV_SW	O	Inverter free run frequency switching	
68	BL_ENA	O	Back light ON/OFF control	H: ON, L: OFF
69	VMUTE	O	Video MUTE terminal	H: MUTE ON, L: MUTE OFF
70	NT_PAL	I	NTSC/PAL determination signal input	H: NTSC, L: PAL
71	P_START	O	DC-DC power supply ON/OFF control	
72	PGOOD	I	DC-DC power supply error detection	H: Normal, L: Error

MICROCOMPUTER'S TERMINAL DESCRIPTION

Pin No.	Pin Name	I/O	Application	Processing / Operation / Description
73	WRT_E2P	I	Used when writing into E2P	L: Normal condition H: When writing into E2P
74	VCC2			
75	TYPE4	I	Terminal for destination (5VPRE/2VPRE)	H: 5V pre-out, L: 2V pre-out
76	VSS			
77	NC	O	Not used. Output is fixed to "L"	
78	DISKDET	I	DVD mechanism function to detect if there is a disc or not	H: Disc is not detected, L: Disc is detected
79	BE_MREQ	O	Request to back end	
80	BE_STBY	I	Standby request from back end	
81	BE_CON	O	Control request to back end	
82	BE_INI	O	Initial request to back end	
83	BE_BUDET	O	Notification of momentary power down detection to back end	
84	NC	O		
85	BE_RESERVE2	I	Operation identification terminal from back end	H: Valid, L: Invalid
86	BE_RESET	O	Reset request to back end	L: Reset, H: Clear reset
87	NC	O		
88	BE_SDATA	I	Communication data from back end	
89	BE_CLK	I	Communication clock with back end	
90	BE_MDATA	O	Communication data to back end	
91	VCC2			
92	TYPE1	I	Destination settings	Refer to "Destination settings"
93	VSS			
94	TYPE2	I	Destination settings	Refer to "Destination settings"
95	ASEL3_1	O	Dedicated audio switching with K and R BT (MAIN or BT)	Refer to "ASEL settings"
96	ASEL2_2	O	AVOUT source audio switching	Refer to "ASEL settings"
97	ASEL2_1	O	AVOUT source audio switching	Refer to "ASEL settings"
98	ASEL1_2	O	Main source audio switching	Refer to "ASEL settings"
99	ASEL1_1	O	Main source audio switching	Refer to "ASEL settings"
100	EVOL_MUTE0	O	E-VOL front mute	L: ON, H: OFF
101	EVOL_MUTE1	O	E-VOL rear mute	L: ON, H: OFF
102	NC	O		
103	BE_RESERVE1	I	CLK terminal for operation identification from back end	CLK frequency: 1Hz
104	BE_SREQ	I	Request from back end	
105	EVOL_MUTE2	O	E-VOL R SW mute	L: ON, H: OFF
106	EVOL_MUTEC	O	AF dedicated mute, Time constant 0.5mS E-VOL_C mute	L: ON, H: OFF
107	EVOL_MUTEB	O	E-VOL_B AVOUT mute	L: ON, H: OFF
108	AM+B	O	Tuner AM power supply ON/OFF control	L: ON, H: OFF
109	PRE_MUTEF	O	Pre-out mute (FRONT)	L: ON, H: OFF
110	PRE_MUTESW	O	Pre-out mute (REAR/SW)	L: ON, H: OFF
111	PON	O	SW power supply ON/OFF control	L: ON, H: OFF

MICROCOMPUTER'S TERMINAL DESCRIPTION

Pin No.	Pin Name	I/O	Application	Processing / Operation / Description
112	SIR_DET	I	Sirius connection detection	
113	SIR_PON	O	SAT power supply ON/OFF	
114	NC	O		
115	TV_JUDGE	I	Determination of TV_BOX if it is old or new	H: Old, L: New
115	NC	O	Output from model without TV is fixed to "L"	
116	ANT_CON	O	Power antenna control	H: UP, L: DOWN
117	P_CON	O	P-CON control	L: STANDBY, POWER OFF, H: EXCEPT
118	ILLUMI	I	Illumination detection	L: ON, H: OFF
119~121	NC	O		
122	TYPE0	I	Destination settings	Refer to "Destination settings"
123	KEY3	I	Key3 input	Refer to "KEY3 matrix"
124	TUN_IFC	I	F/E IFC input	H: Station found, L: Station not found
125	TUN_SMET	I	S meter input	
126	R_NOISE	I	FM noise input	
127	R_AFS_H	I/O	Time constant switching when F/E noise is detected	
128,129	NC	O		
130	VSS			
131	NC	O		
132	VCC1			
133,134	NC	I	Not used (Input)	
135	VILL_DET	I	Variable illumination identification terminal	L: F3, H: F4
136	VCOM	I	For VCOM level automatic adjustment	
137	X_DATA	I	Touch data input	
138	Y_DATA	I	Touch data input	
139	LINE_MUTE	I	LINE-MUTE input detection	Normal: 1.6V TEL MUTE: 1V or lower NAVI MUTE: 2.5V or higher
140	AVSS			
141	PWIC_DC_DET	I	SP output DC offset detection	L: When detected
142	VREF			
143	AVCC			
144	EVOL_SCL/EVOL_SCL	O	Communication clock with E-VOL	
144	EVOL_SCL/E2P_SCL	O	Communication clock with E2P	

MICROCOMPUTER'S TERMINAL DESCRIPTION

Destination Settings

MODEL	Destination	TYPE2 (94)	TYPE1 (92)	TYPE0 (122)	TYPE3 (55)	Note
KVT	K	0	0	*	-	
	E	0	0	*	-	
	M	0	0	*	-	
	V/X	0	0	*	-	
	R	0	0	*	-	
DDX	K	0	1	*	0	
	E	0	1	*	0	
	M	0	1	*	0	
	V/X	0	1	*	0	
	R	0	1	*	0	
DNX	K	1	1	*	0	
	E	1	1	*	1	With BT
	E2	1	1	*	0	Without BT

TYPE0 is AD input

"*" Refer to the next table (TYPE0 Setup Voltage)

E of TYPE0 should be same as E2 of TYPE0

TYPE4 (75)	
5VPRE	1
2VPRE	0

TYPE0 Setup Voltage

Destination	μ-com setup value			Pull down resistor	Pull up resistor
	min	Mid point voltage	max		
K	0.00	0.00	0.41	10	-
E	0.42	0.83	1.23	3.3	10
M	1.24	1.65	2.06	10	10
V/X	2.07	2.48	2.88	30	10
R	2.89	3.30	3.30	-	10

ASEL Set Up

	MAIN	
	ASEL1_1 (99)	ASEL1_2 (98)
BE	0	0
(TV)	0	1
IPOD	1	0
KAB or BT	1	1

Models for destination K and R do not have TV

KAB except for E destination with BT

	SUB	
	ASEL2_1 (97)	ASEL2_2 (96)
BE	0	0
(TV)	0	1
IPOD	1	0
-	1	1

Models for destination K and R do not have TV

In the model without TV, ASEL2_2 output is fixed to "L"

MICROCOMPUTER'S TERMINAL DESCRIPTION

	MAIN or BT	
	ASEL3_1 (95)	Hardware setup
BT	1	1
MAIN	0	1

Only for K and R both with BT

KEY3 matrix

		MAX	MIN	
VCC	3.3	3.366	3.234	[V]
PULL UP in X34	15	15.75	14.25	[KΩ]
R1 in X35	0.01	0.0105	0.0095	[KΩ]
R2 in X35	6.8	7.14	6.46	[KΩ]
R3 in X35	18	18.9	17.1	[KΩ]

Calculated value

			MAX	MIN	
S601	ENTER*	Vs1=	0.002198534	0.002478384	0.001949491 [V]
S701	NAVI	Vs2=	1.0303989	1.124673863	0.941621684 [V]
S702	FNC	Vs3=	2.056593821	2.175803849	1.938574066 [V]
	Do not press		3.3	3.366	3.234 [V]

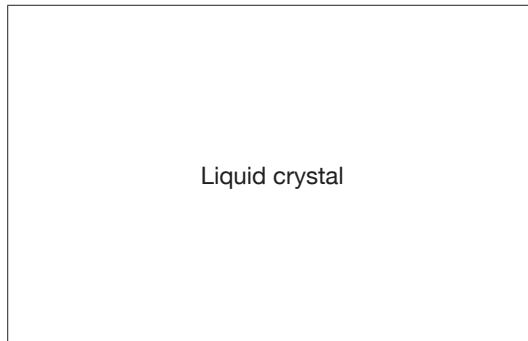
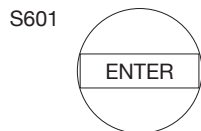
Set up μ -com in the following range of the settings

		MAX	MIN	
S601	ENTER*	0.5	0	[V]
S701	NAVI	1.5	0.51	[V]
S702	FNC	2.5	1.51	[V]
	Do not press	3.3	2.51	[V]

* ENTER KEY is the rotary VOL / Press KEY

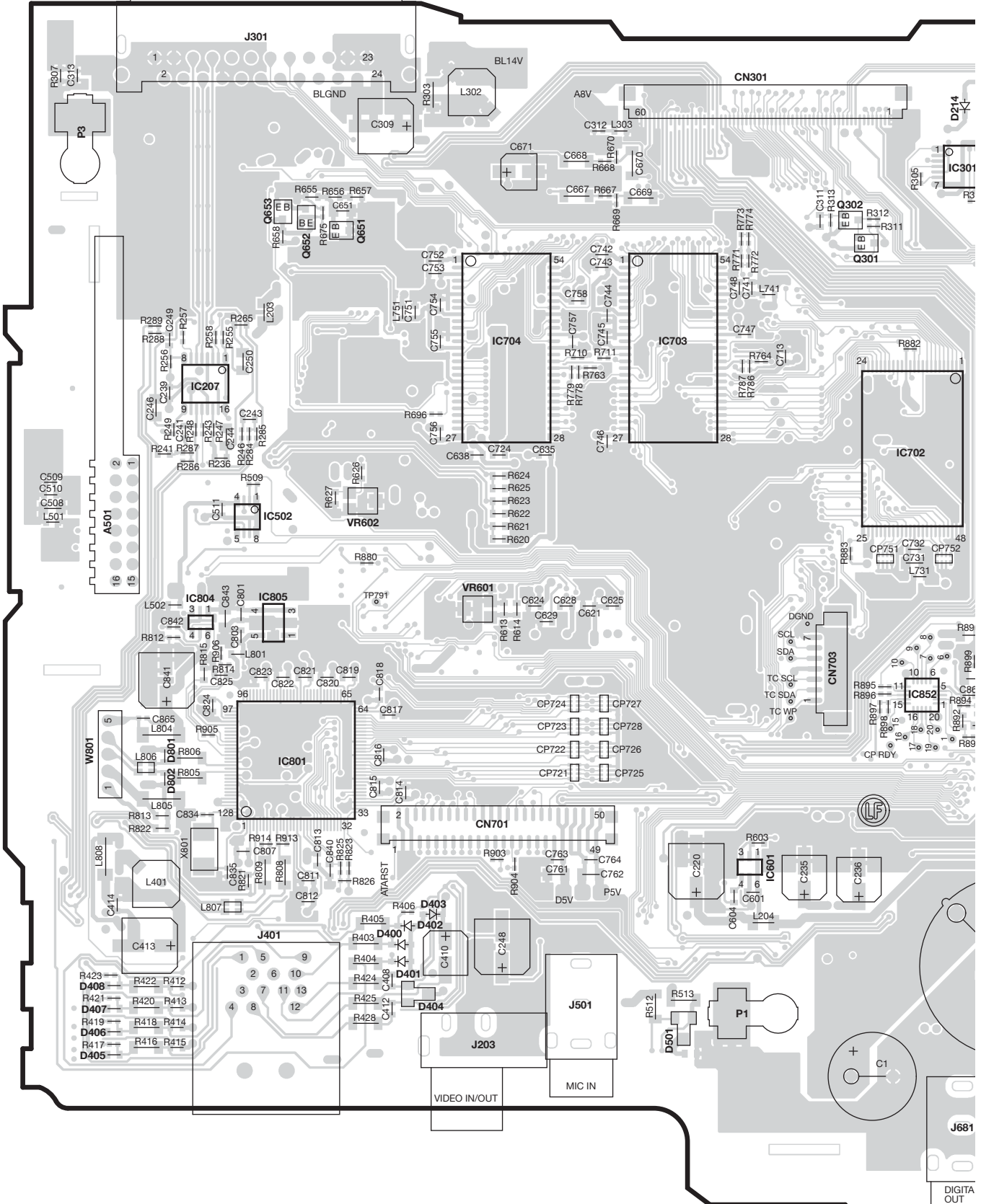
KEY position

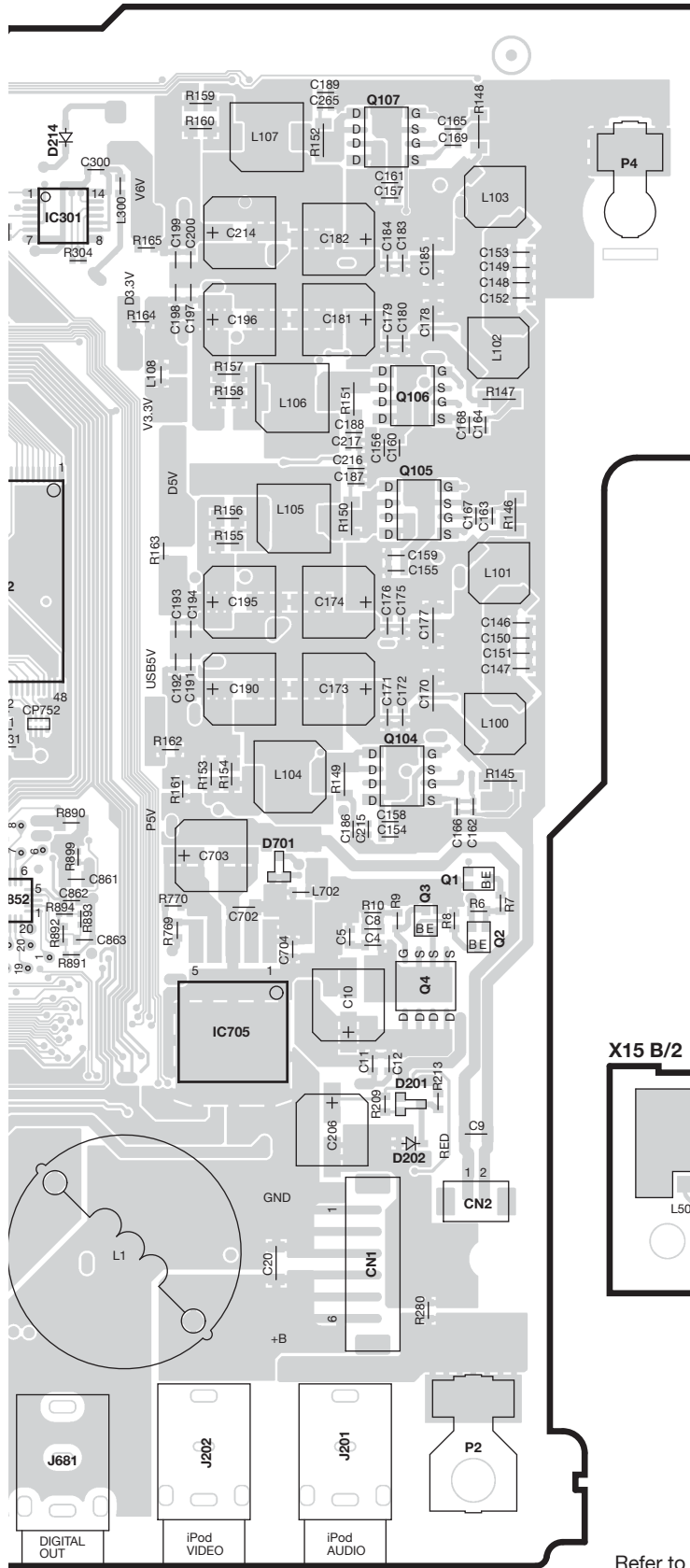
S701	NAVI
S703	SRC
S702	FNC



PC BOARD (COMPONENT SIDE VIEW)

VIDEO CONTROL UNIT
X15-124x-xx A/2
(J76-0595-02)

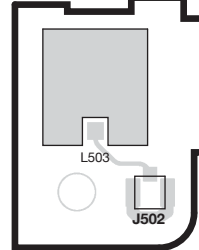




X15-124x-xx

Ref. No.	Address
IC207	3B
IC301	2F
IC502	4B
IC601	5E
IC702	4E
IC703	3D
IC704	3C
IC705	5F
IC801	5B
IC804	4B
IC805	4B
IC852	5E
Q1	5G
Q2	5G
Q3	5G
Q4	5G
Q104	4G
Q105	3G
Q106	3G
Q107	2G
Q301	3E
Q302	2E
Q651	3C
Q652	3B
Q653	2B

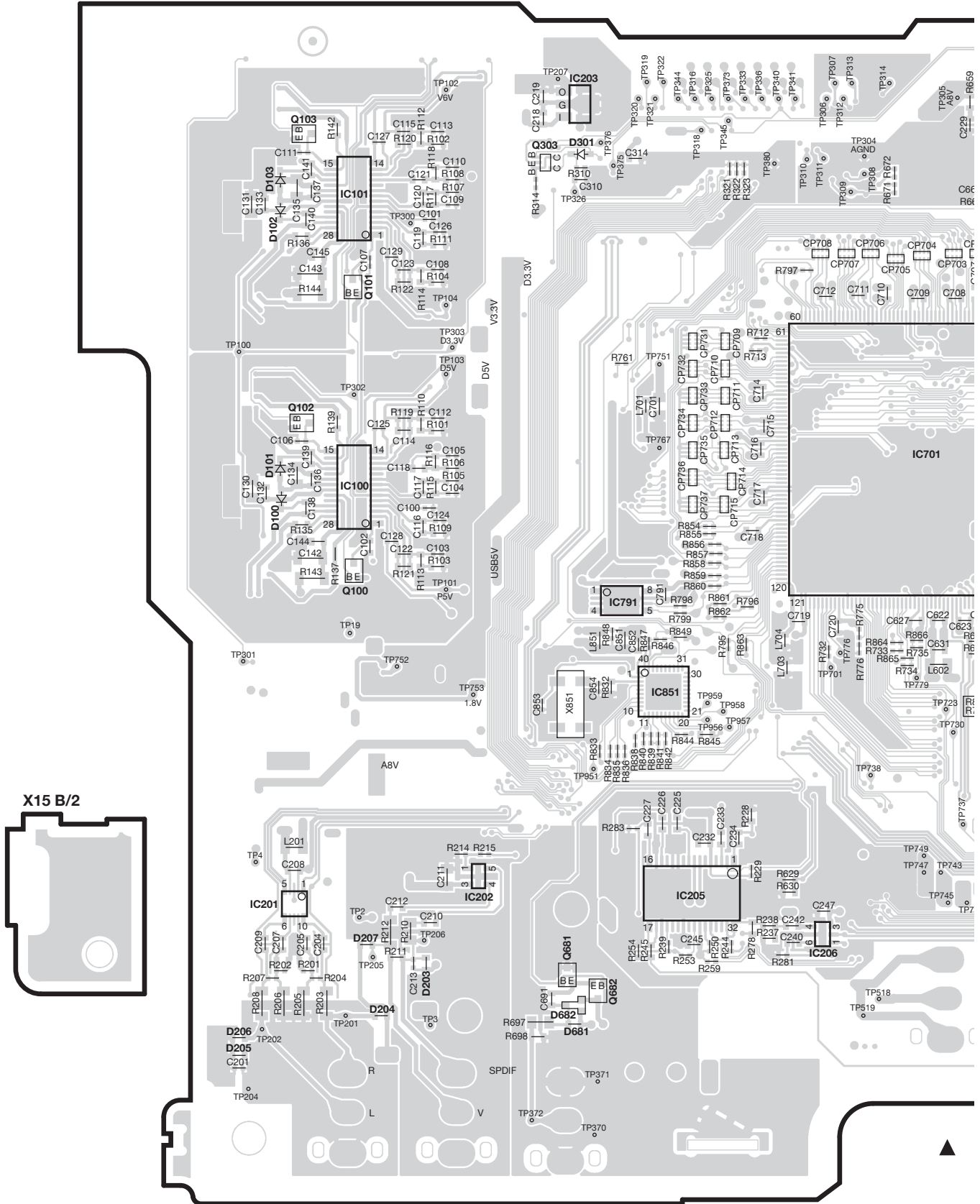
X15 B/2



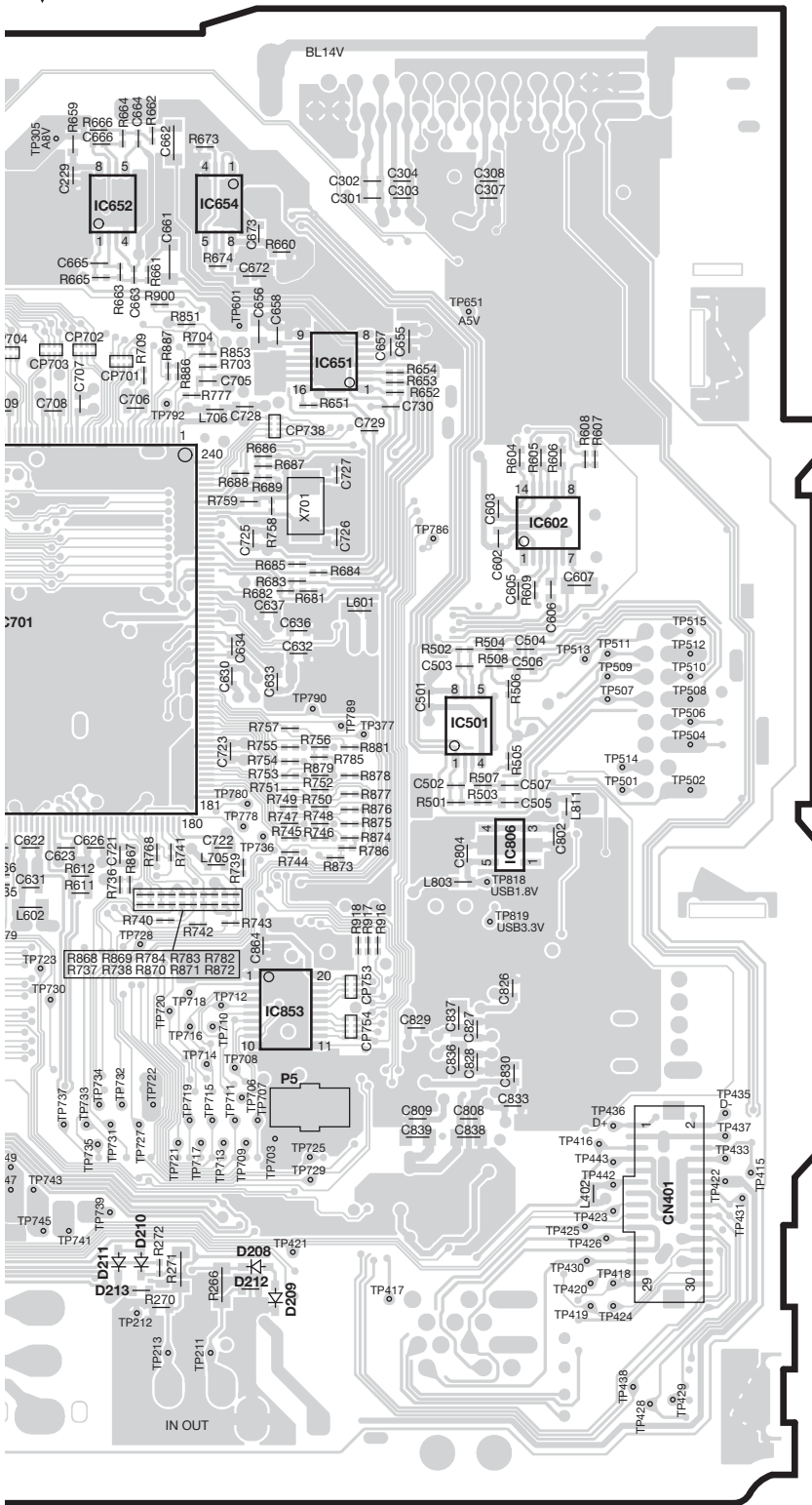
Refer to the schematic diagram for the values of resistors and capacitors.

PC BOARD (FOIL SIDE VIEW)

VIDEO CONTROL UNIT X15-124x-xx A/2 (J76-0595-02)



X15 B/2



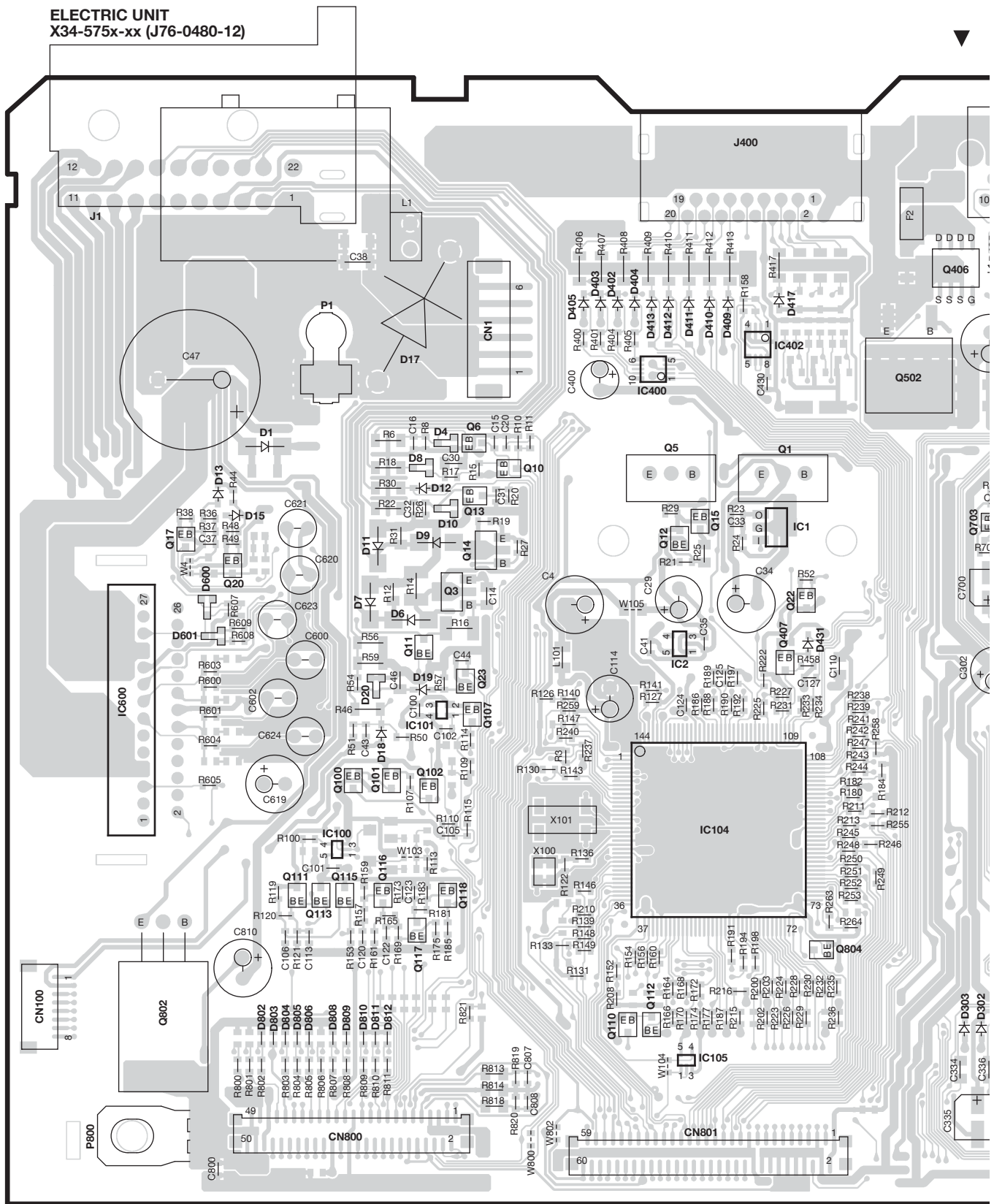
X15-124x-xx

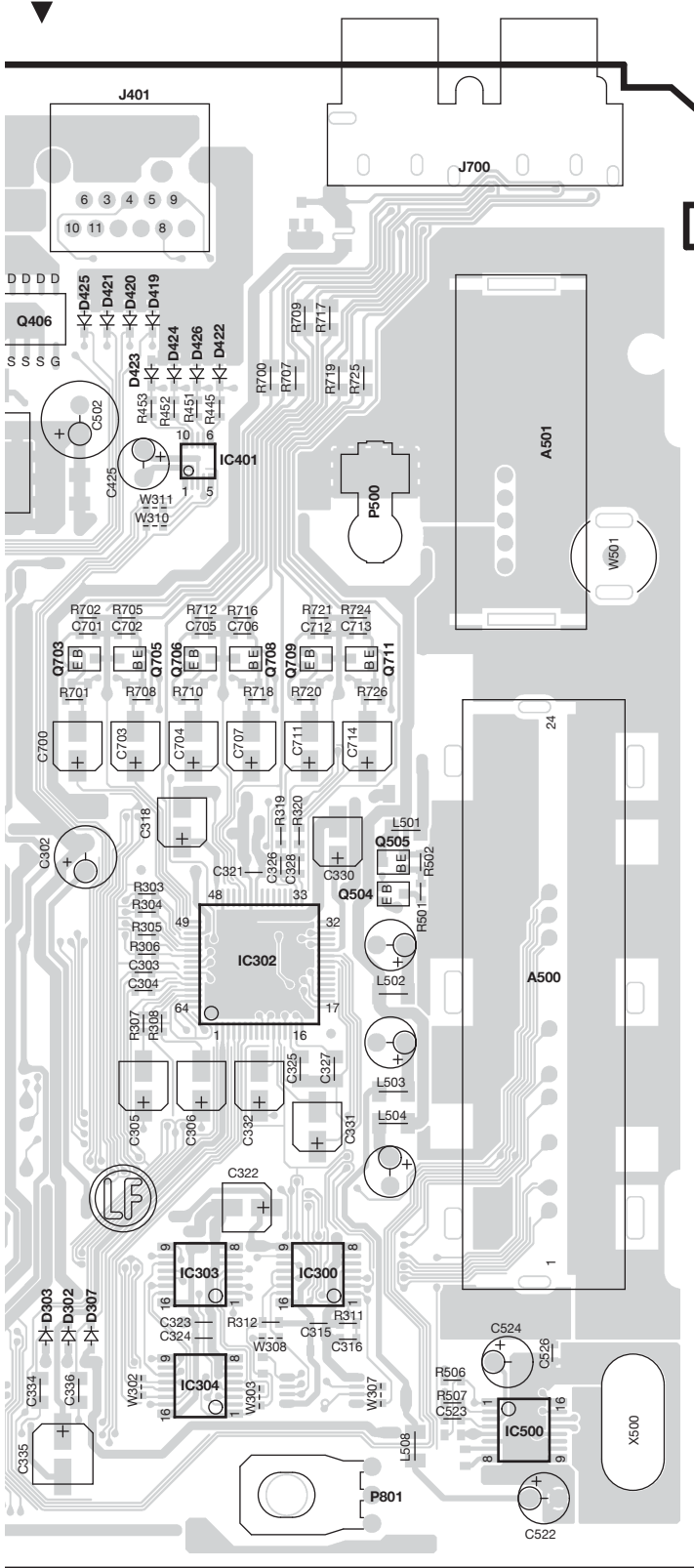
Ref. No.	Address
IC100	4M
IC101	2M
IC201	6L
IC202	6M
IC203	2N
IC205	6N
IC206	6O
IC501	4Q
IC602	3Q
IC651	3Q
IC652	2P
IC654	2P
IC701	4O
IC806	4Q
IC853	5P
Q100	4M
Q101	3M
Q102	3L
Q103	2L
Q303	2M
Q681	6N
Q682	6N

Refer to the schematic diagram for the values of resistors and capacitors.

PC BOARD (COMPONENT SIDE VIEW)

ELECTRIC UNIT
X34-575x-xx (J76-0480-12)

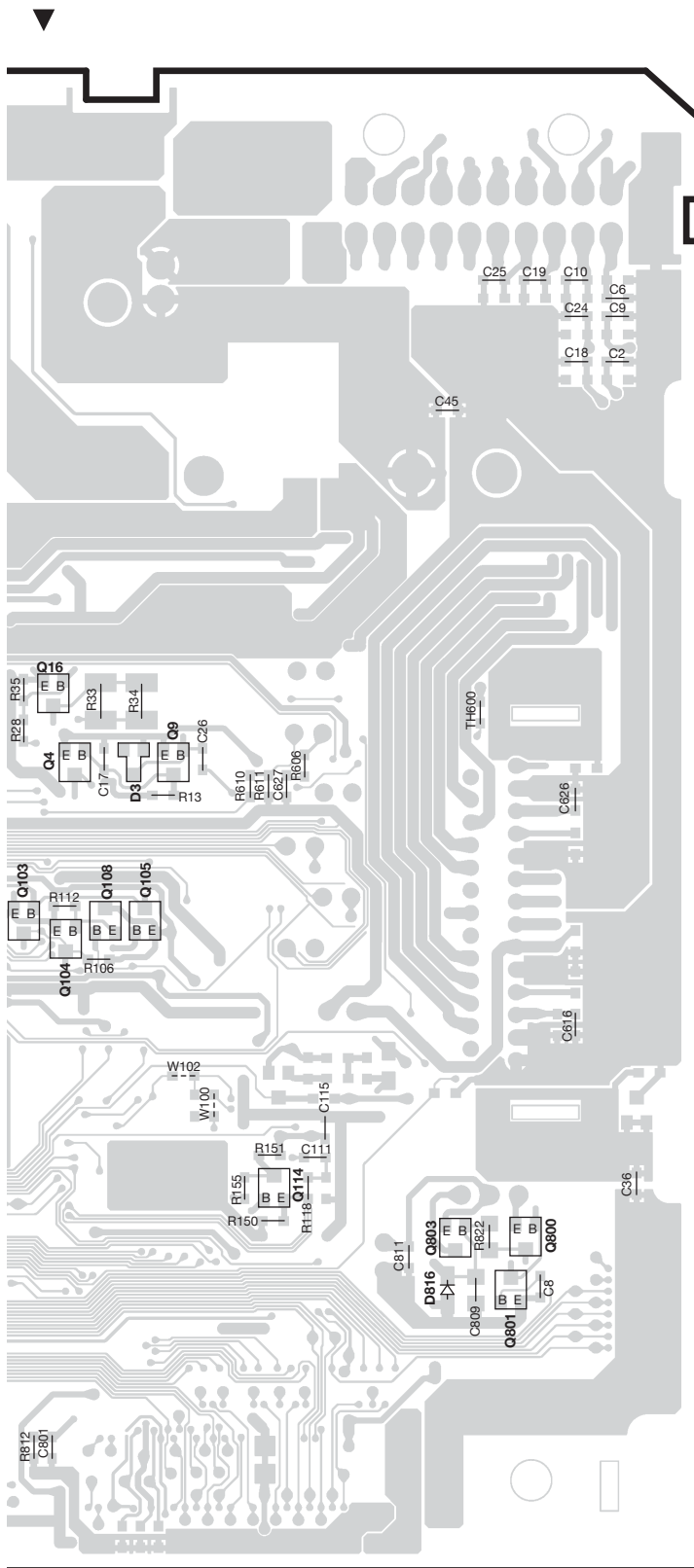




X34-575x-xx

Ref. No.	Address	Ref. No.	Address
IC1	4Y	Q22	4Y
IC2	4X	Q23	4W
IC100	5V	Q100	5V
IC101	5W	Q101	5W
IC104	5X	Q102	5W
IC105	6X	Q107	4W
IC300	6AA	Q110	6X
IC302	5Z	Q111	5V
IC303	6Z	Q112	6X
IC304	6Z	Q113	5V
IC400	3X	Q115	5W
IC401	3Z	Q116	5W
IC402	3Y	Q117	6W
IC500	6AA	Q118	5W
IC600	4U	Q406	2Y
Q1	3Y	Q407	4Y
Q3	4W	Q502	3Y
Q5	3X	Q504	4AA
Q6	3W	Q505	4AA
Q10	3W	Q703	4Z
Q11	4W	Q705	4Z
Q12	4X	Q706	4Z
Q13	4W	Q708	4Z
Q14	4W	Q709	4Z
Q15	4X	Q711	4AA
Q17	4V	Q802	6V
Q20	4V	Q804	6Y

Refer to the schematic diagram for the values of resistors and capacitors.



X34-575x-xx

Ref. No.	Address
IC103	5AG
Q2	4AH
Q4	4AJ
Q7	4AH
Q8	3AH
Q9	4AJ
Q16	4AJ
Q21	4AH
Q24	4AH
Q25	4AH
Q103	4AI
Q104	5AJ
Q105	4AJ
Q108	4AJ
Q114	5AK
Q300	4AF
Q301	6AG
Q302	6AG
Q303	6AG
Q304	6AG
Q305	6AG
Q403	3AH
Q500	3AH
Q501	3AH
Q503	3AG
Q700	4AF
Q701	4AG
Q702	4AG
Q704	4AG
Q707	4AF
Q710	4AF
Q800	6AK
Q801	6AK
Q803	6AK

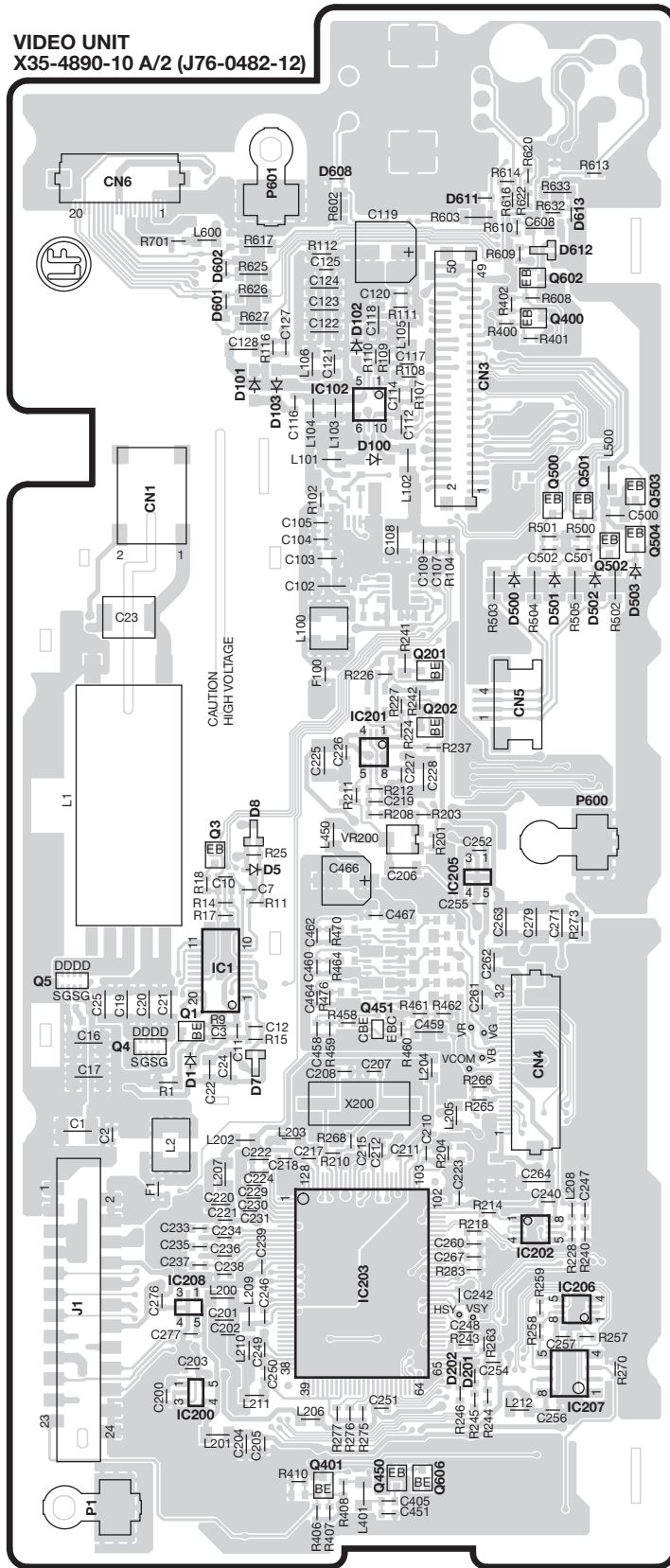
Refer to the schematic diagram for the values of resistors and capacitors.

DDX5024/5034/5034BT/5034M/5054/514/54R
DNX5140/5240/5240BT/6000EX/6140

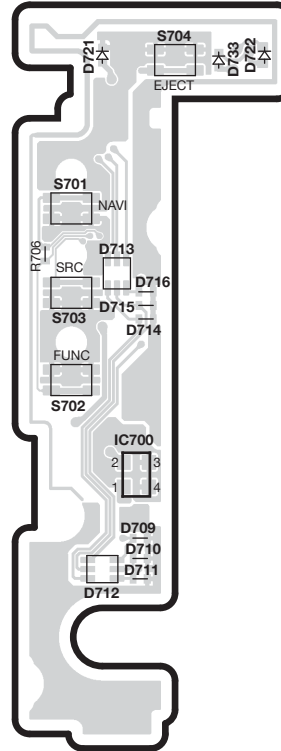
PC BOARD (COMPONENT SIDE VIEW)

VIDEO UNIT

X35-4890-10 A/2 (J76-0482-12)

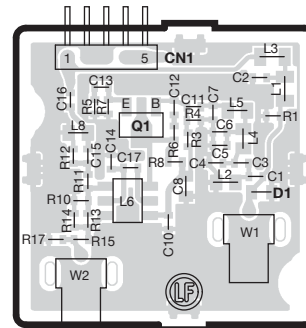


X35 B/2



DAUGHTER UNIT

X89-3062-70 (J76-0526-12)



X35-4890-10

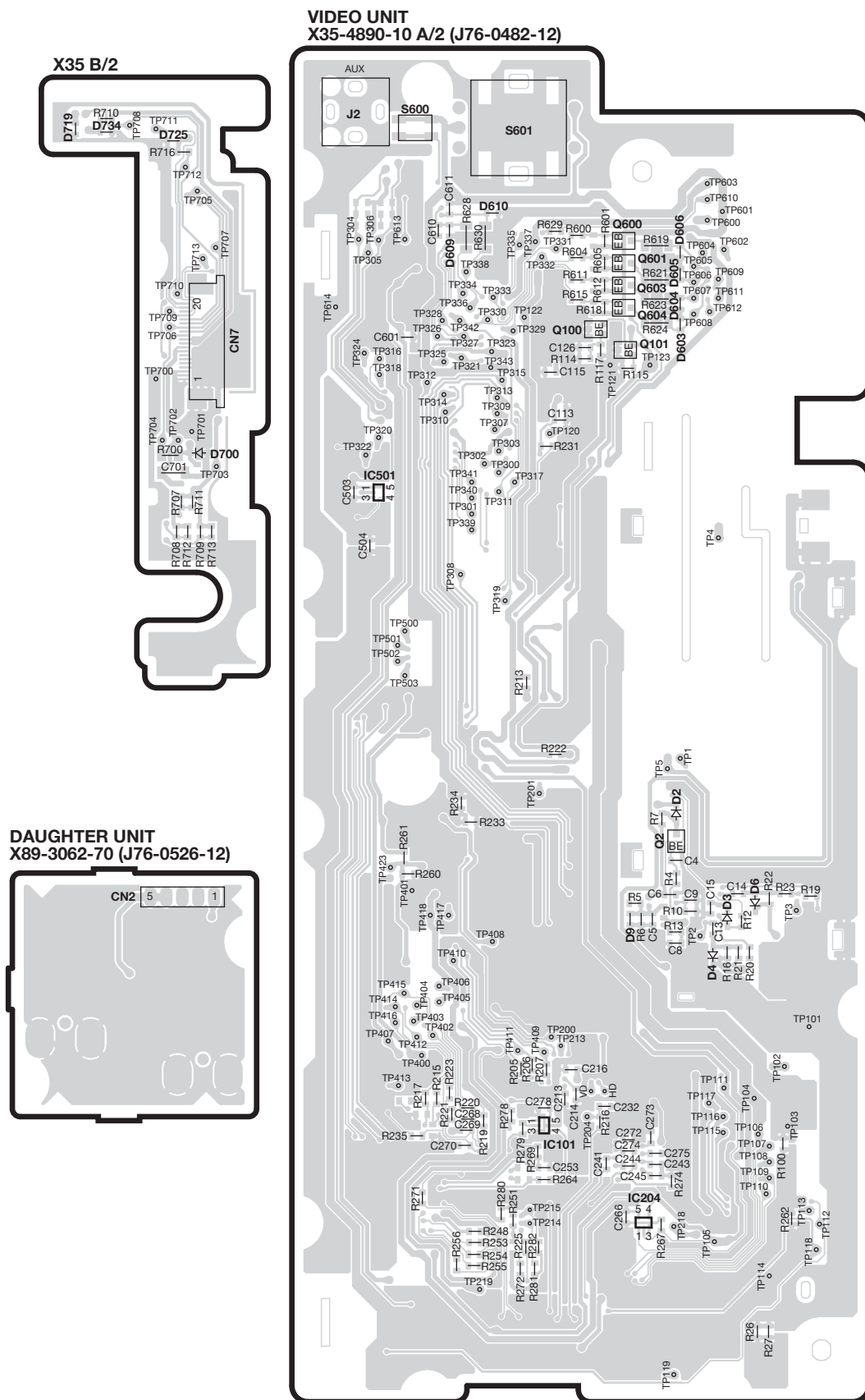
Ref. No.	Address
IC1	5AP
IC102	3AP
IC200	6AP
IC201	4AP
IC202	6AQ
IC203	6AP
IC205	4AQ
IC206	6AQ
IC207	6AQ
IC208	6AP
IC700	3AR
Q1	5AP
Q3	4AP
Q4	5AO
Q5	5AO
Q201	4AP
Q202	4AP
Q400	2AQ
Q401	6AP
Q450	6AP
Q451	5AP
Q500	3AQ
Q501	3AQ
Q502	3AQ
Q503	3AQ
Q504	3AQ
Q602	2AQ
Q606	6AP

X89-3062-70

Ref. No.	Address
Q1	5AR

Refer to the schematic diagram for the values of resistors and capacitors.

PC BOARD (FOIL SIDE VIEW)

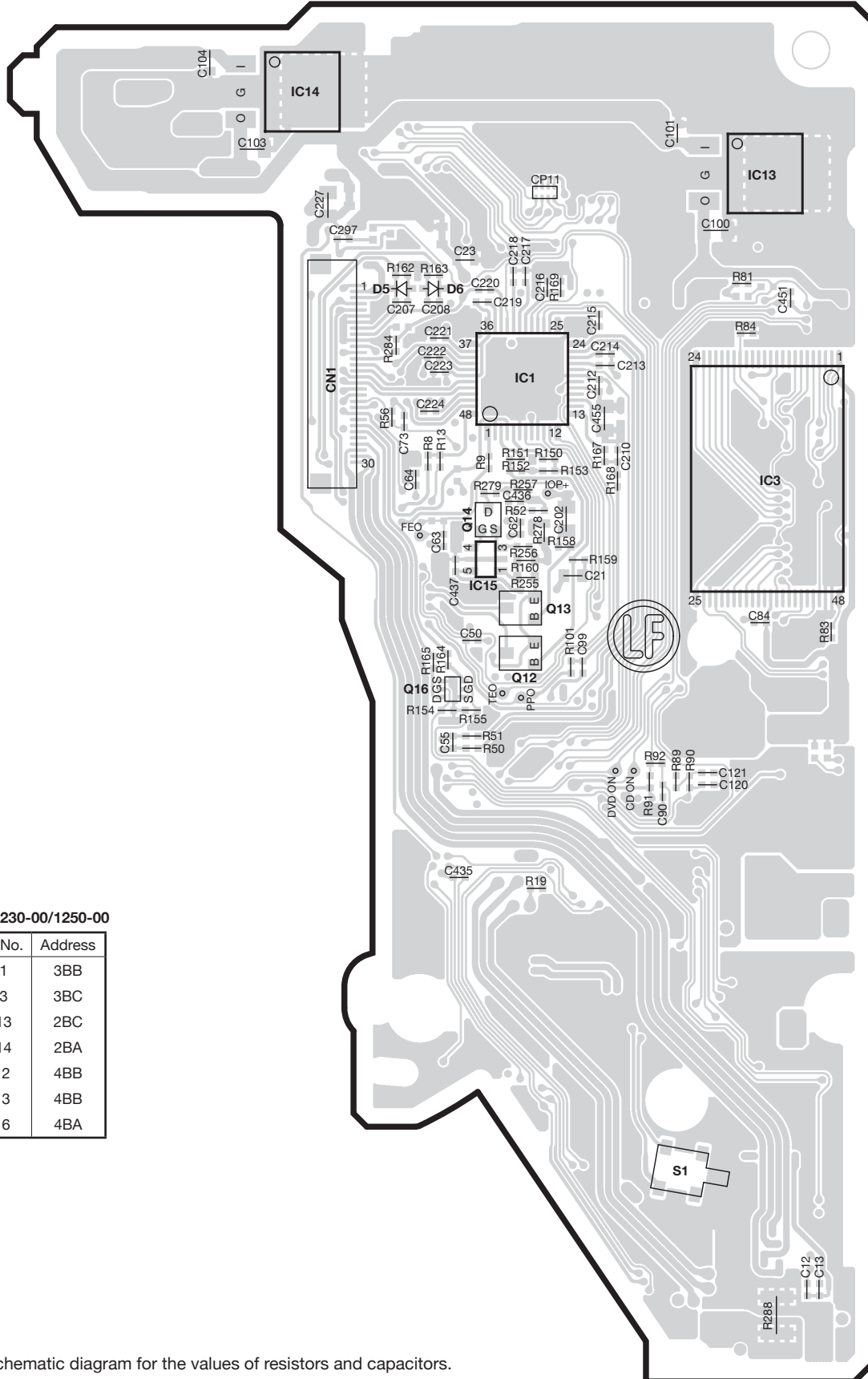


Refer to the schematic diagram for the values of resistors and capacitors.

DDX5024/5034/5034BT/5034M/5054/514/54R
DNX5140/5240/5240BT/6000EX/6140

PC BOARD (COMPONENT SIDE VIEW)

DVD UNIT X37-1230-00/1250-00 (J76-0620-02)



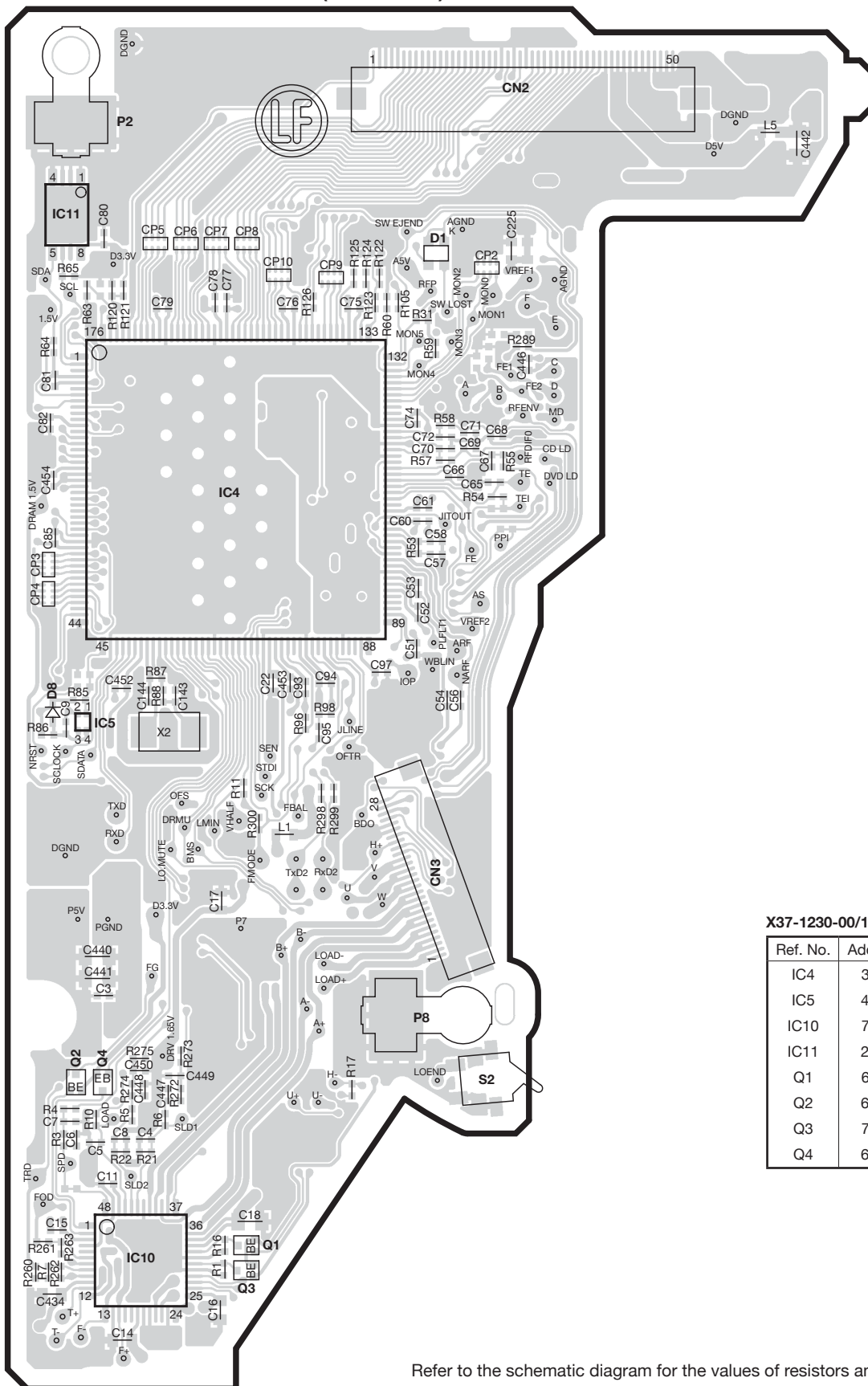
X37-1230-00/1250-00

Ref. No.	Address
IC1	3BB
IC3	3BC
IC13	2BC
IC14	2BA
Q12	4BB
Q13	4BB
Q16	4BA

Refer to the schematic diagram for the values of resistors and capacitors.

PC BOARD (FOIL SIDE VIEW)

DVD UNIT X37-1230-00/1250-00 (J76-0620-02)

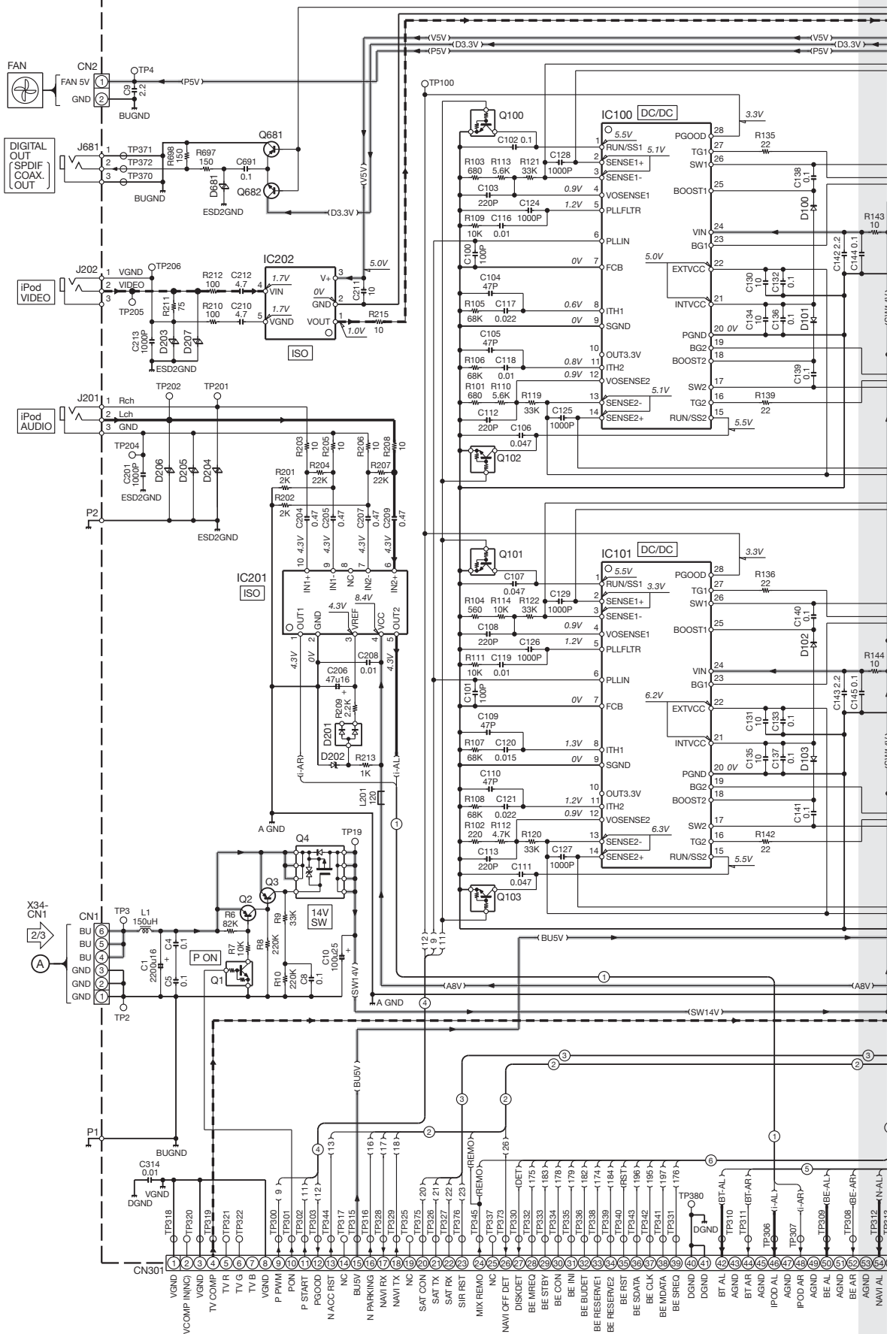


X37-1230-00/1250-00

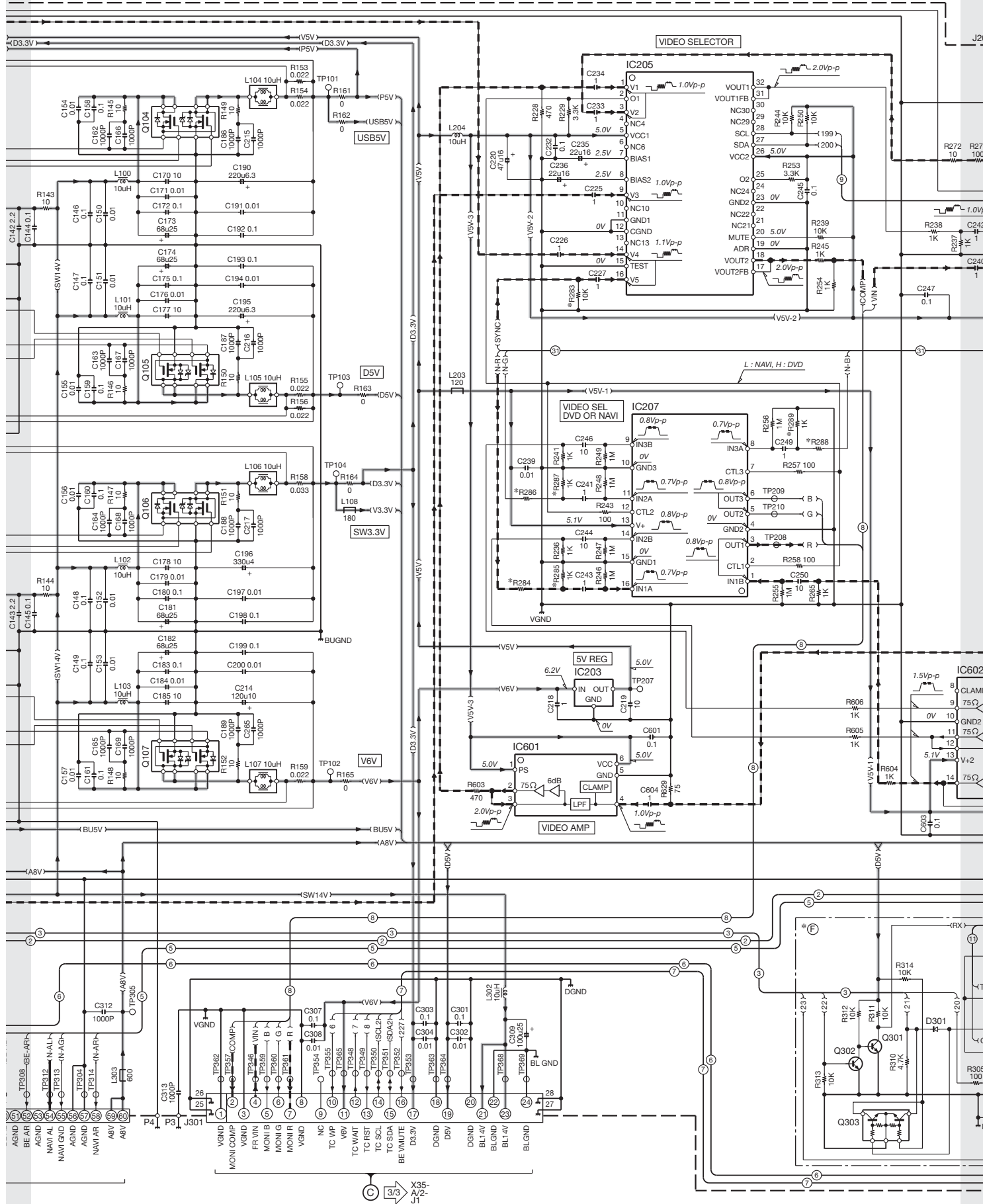
Ref. No.	Address
IC4	3BE
IC5	4BD
IC10	7BE
IC11	2BD
Q1	6BE
Q2	6BD
Q3	7BE
Q4	6BD

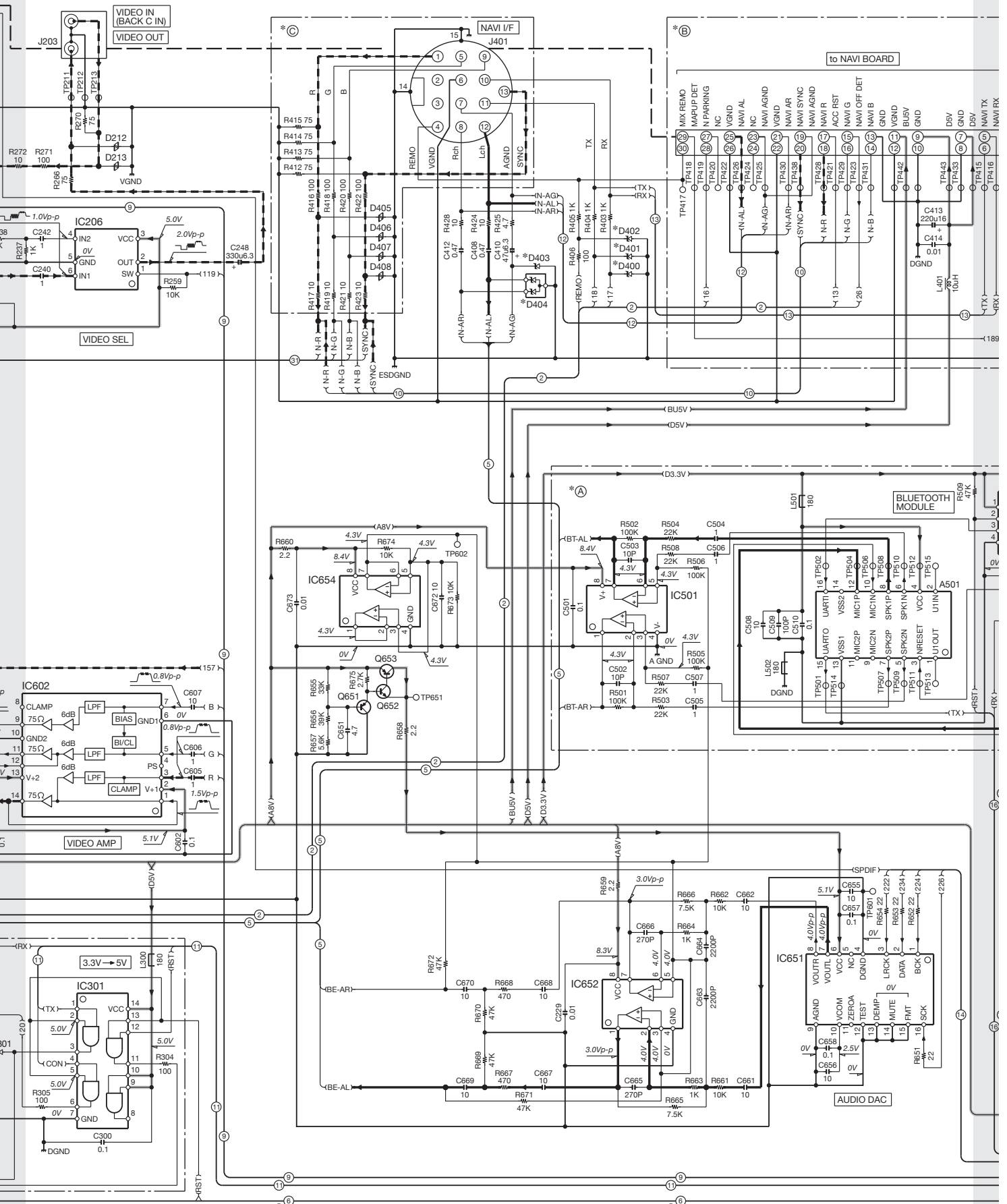
Refer to the schematic diagram for the values of resistors and capacitors.

(X15-124x-xx) (A/2)

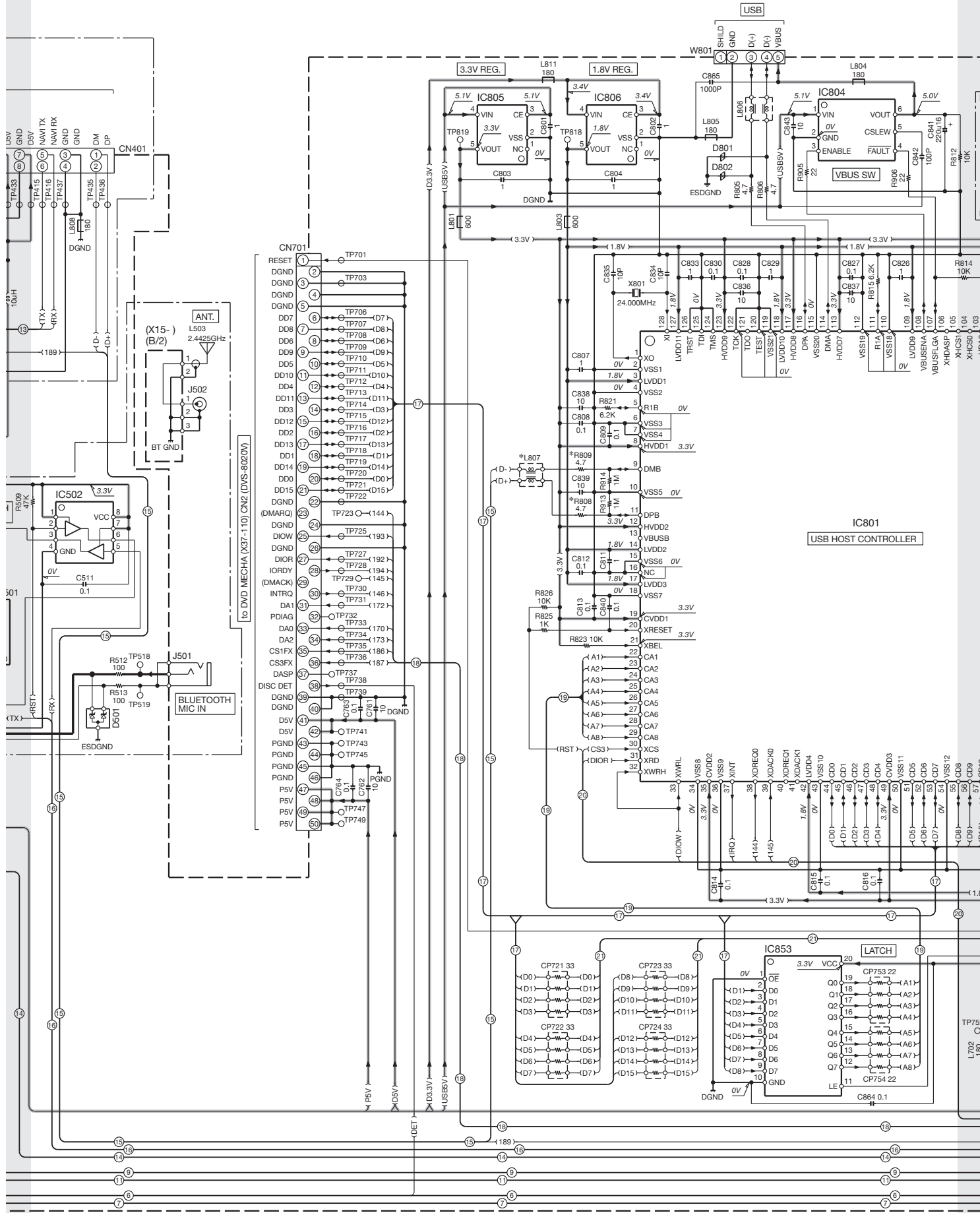


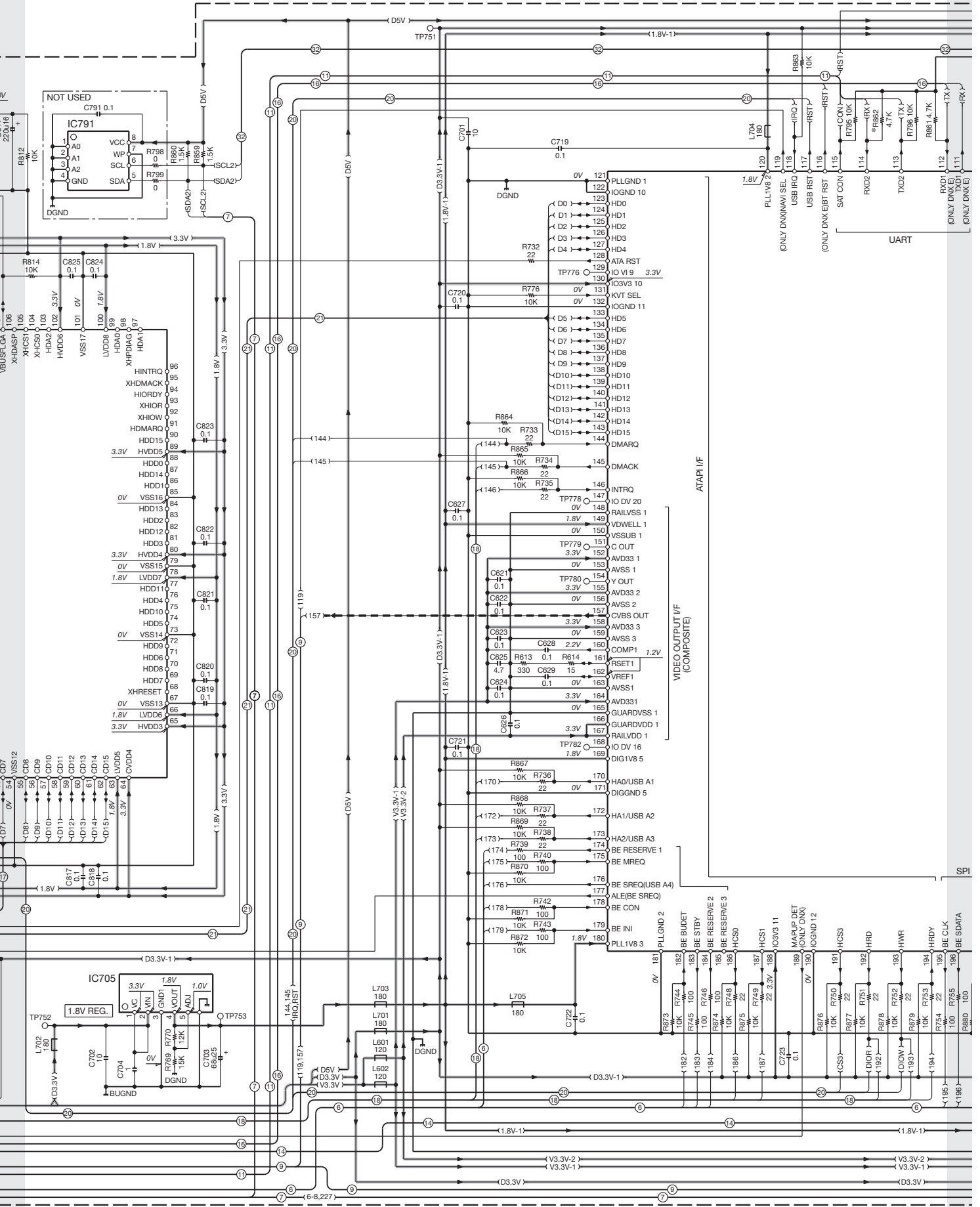
(E) 2/3 X34-CN801



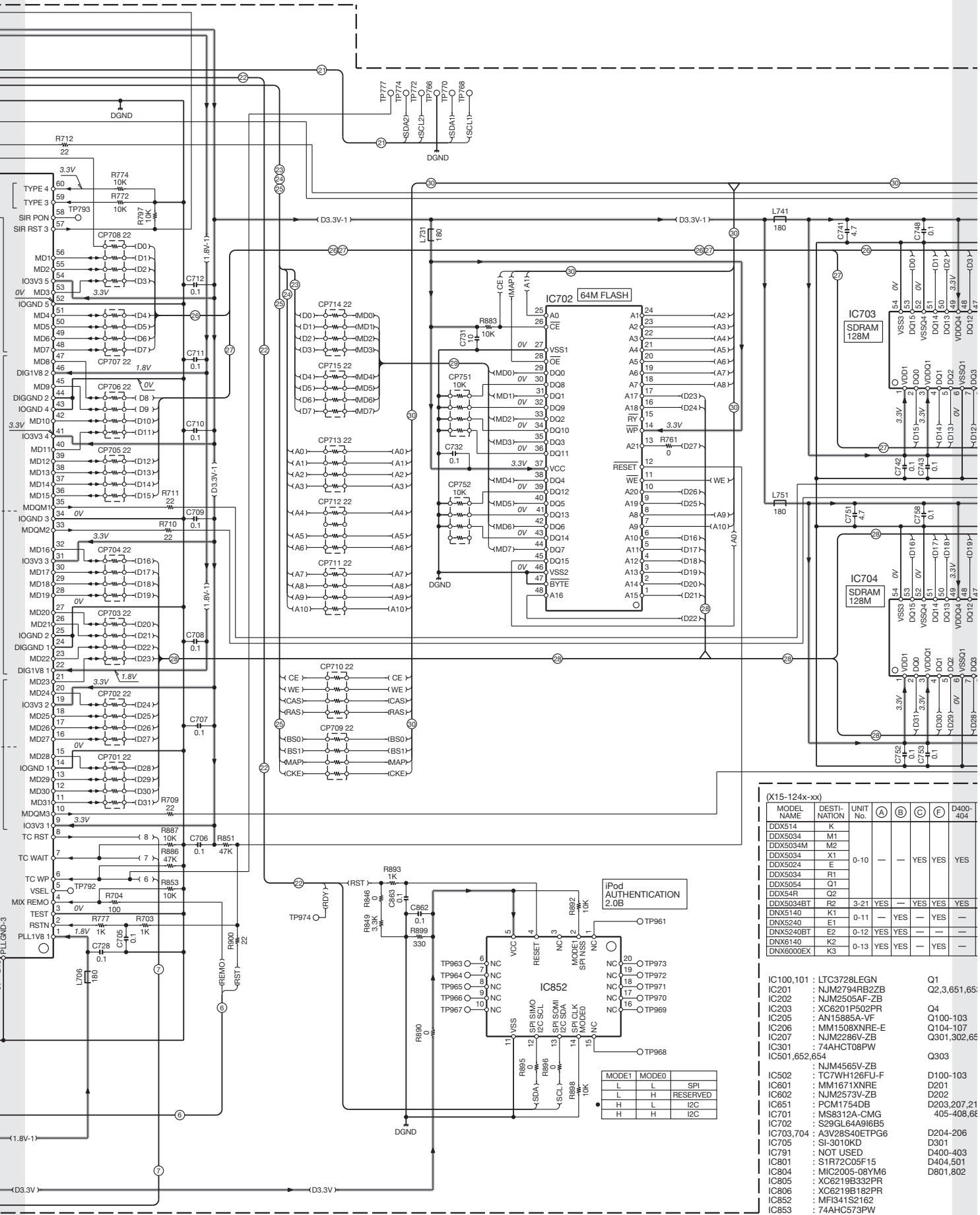


DDX5024/5034/5034BT/5034M/5054/514/54R DNX5140/5240/5240BT/6000EX/6140





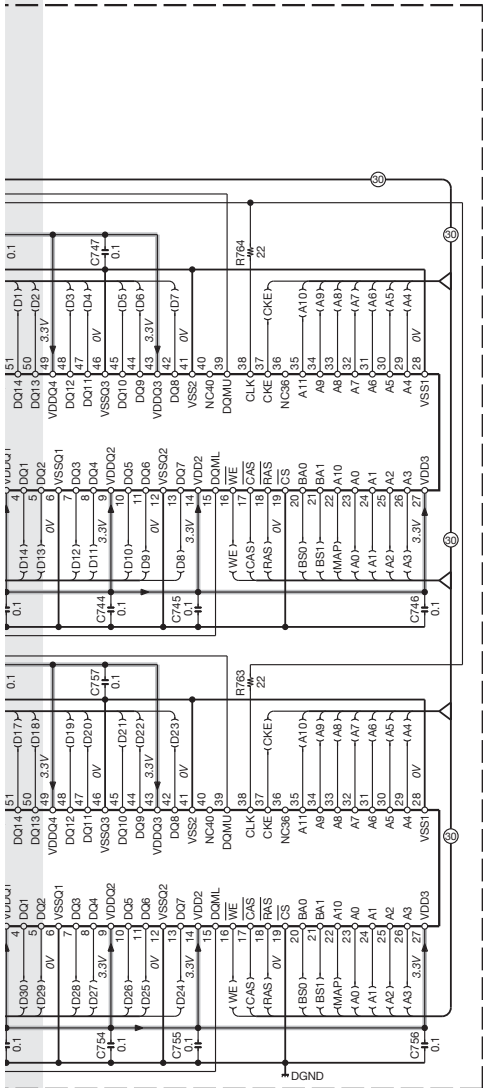
DDX5024/5034/5034BT/5034M/5054/514/54R
DNX5140/5240/5240BT/6000EX/6140



(X15-124x-xx)

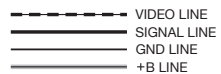
MODEL NAME	DESTINATION	UNIT No.	A	B	C	F	D400-404
DDX514	K						
DDX5034	M1						
DDX5034M	M2						
DDX5034	X1	0-10	—	—	YES	YES	YES
DDX5024	E						
DDX5034	R1						
DDX5054	Q1						
DDX54R	Q2						
DDX5034BT	R2	3-21	YES	—	YES	YES	—
DNX5140	K1	0-11	—	YES	—	—	—
DNX5240	E1	0-12	YES	YES	—	—	—
DNX5240BT	E2	0-12	YES	YES	—	—	—
DNX6140	K2	0-13	YES	YES	—	YES	—
DNX6000EX	K3						

- IC100,101 : LTC3728LEGN Q1
- IC201 : NJM2794RB2ZB Q2,3,651,655
- IC202 : NJM2505AF-ZB
- IC203 : XC6201P502PR Q4
- IC205 : AN15885A-VF Q100-103
- IC206 : MM1508XNRE-E Q104-107
- IC207 : NJM2286V-ZB Q301,302,65
- IC301 : 74AHCT08PW Q303
- IC501,652,654 : NJM4565V-ZB
- IC502 : TC7WH126FU-F D100-103
- IC601 : MM1671XNRE D201
- IC602 : NJM2573V-ZB D202
- IC651 : PCM1754DB D203,207,21
- IC701 : MS8312A-CMG 405-408,68
- IC702 : S29GL64A9I6B5
- IC703,704 : A3V28S40ETPG6 D204-206
- IC705 : SI-3010KD D301
- IC791 : NOT USED D400-403
- IC801 : S1R72C05F15 D404,501
- IC804 : MIC2005-08YM6 D801,802
- IC805 : XC6219B332PR
- IC806 : XC6219B182PR
- IC852 : MF1341S2162
- IC853 : 74HC573PW



Ⓔ	D400-404	L807	R283,285,287,289,808,809	R284,286,288	R862
YES	YES	—	—	0	—
YES	YES	—	—	0	—
YES	—	YES	YES	1K	—
—	—	YES	YES	1K	YES
YES	—	YES	YES	1K	—

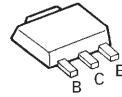
- Q1 : KRC406-P
- Q2,3,651,653,681 : 2SA1576A
- Q4 : TPC8110-F
- Q100-103 : KRC408-P
- Q104-107 : HAT2218R-E
- Q301,302,652,682 : 2SC4081
- Q303 : UMG2N
- D100-103 : 1SS357-F
- D201 : DAP202U
- D202 : UDZW4.7(B)
- D203,207,212,213,405-408,681 : AVRM16270MAAB
- D204-206 : AVRM16120M6AB
- D301 : 1SS355
- D400-403 : UDZW6.2(B)
- D404,501 : STZ6.8N
- D801,802 : AVRL1613R3FTA



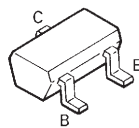
DTA143XE
2SA1576A



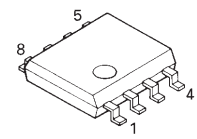
2SB1188
2SC3357-A



2SC4081



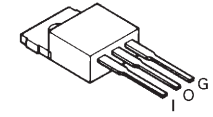
TA75W558FU-F



DAN202U



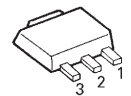
KTA1046-P



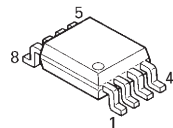
DAP202U
DA204U



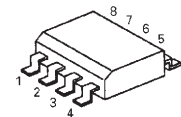
M5237ML-CF0J



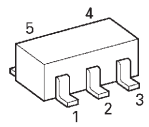
TC7WHU04FU-F
TC7WH126FU-F



TC7WH74FU-F



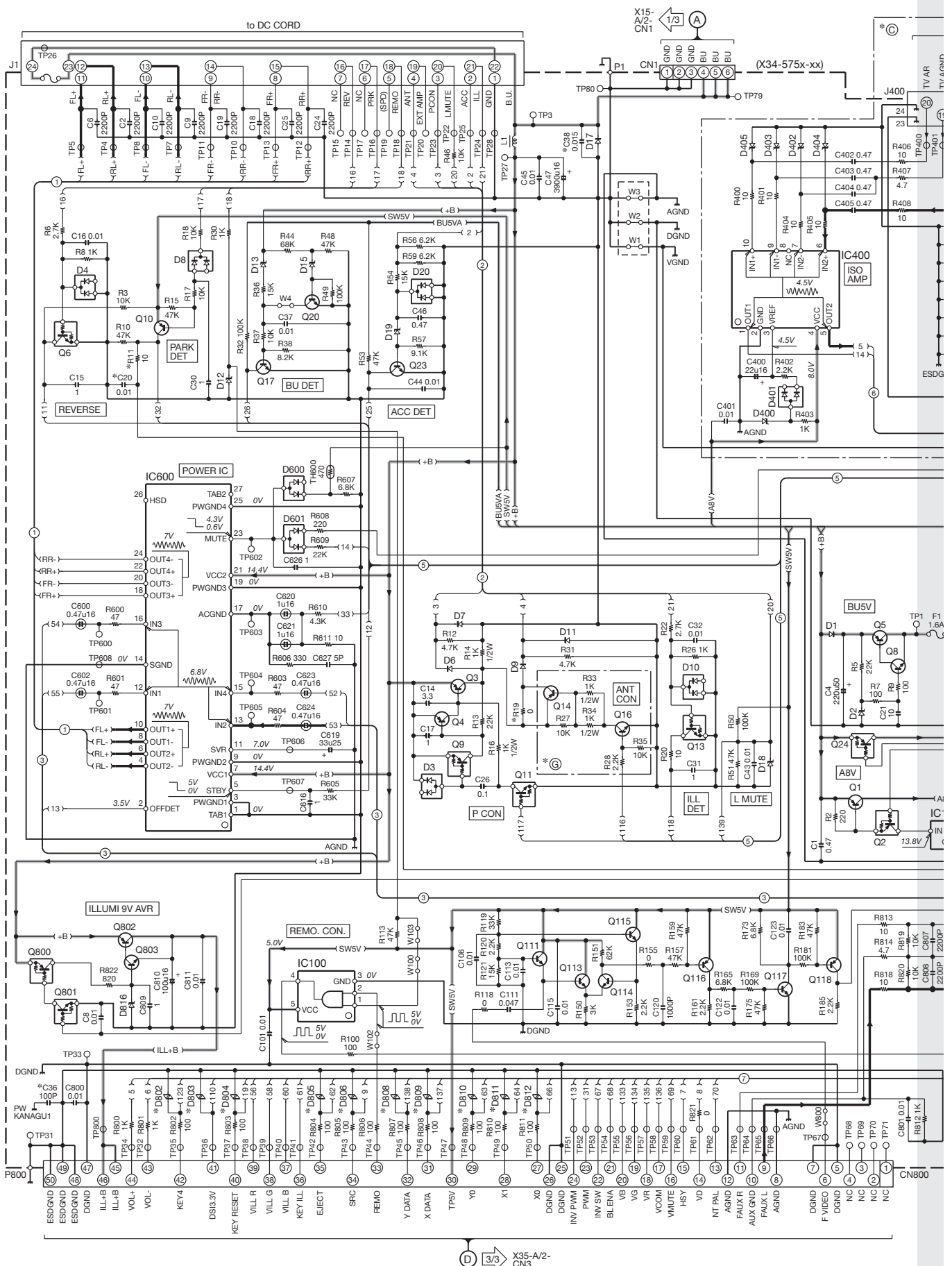
XC6201P502MR



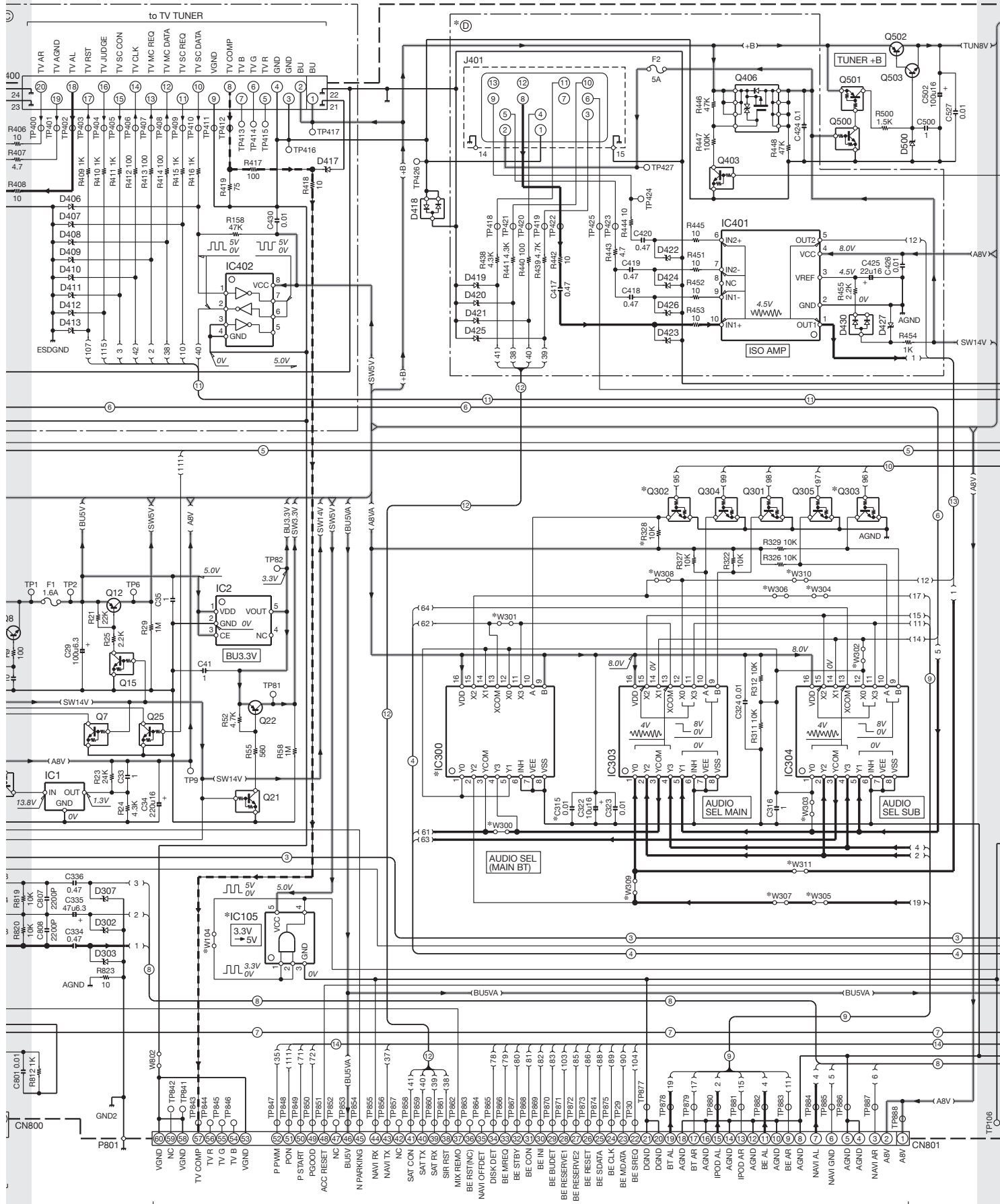
CAUTION : For continued safety, replace safety critical components only with manufacturer's recommended parts (refer to parts list).

⚠ Indicates safety critical components. To reduce the risk of electric shock, leakage-current or resistance measurements shall be carried out (exposed parts are acceptably insulated from the supply circuit) before the appliance is returned to the customer.

- DC voltages are as measured with a high impedance voltmeter. Values may vary slightly due to variations between individual instruments or/and units.



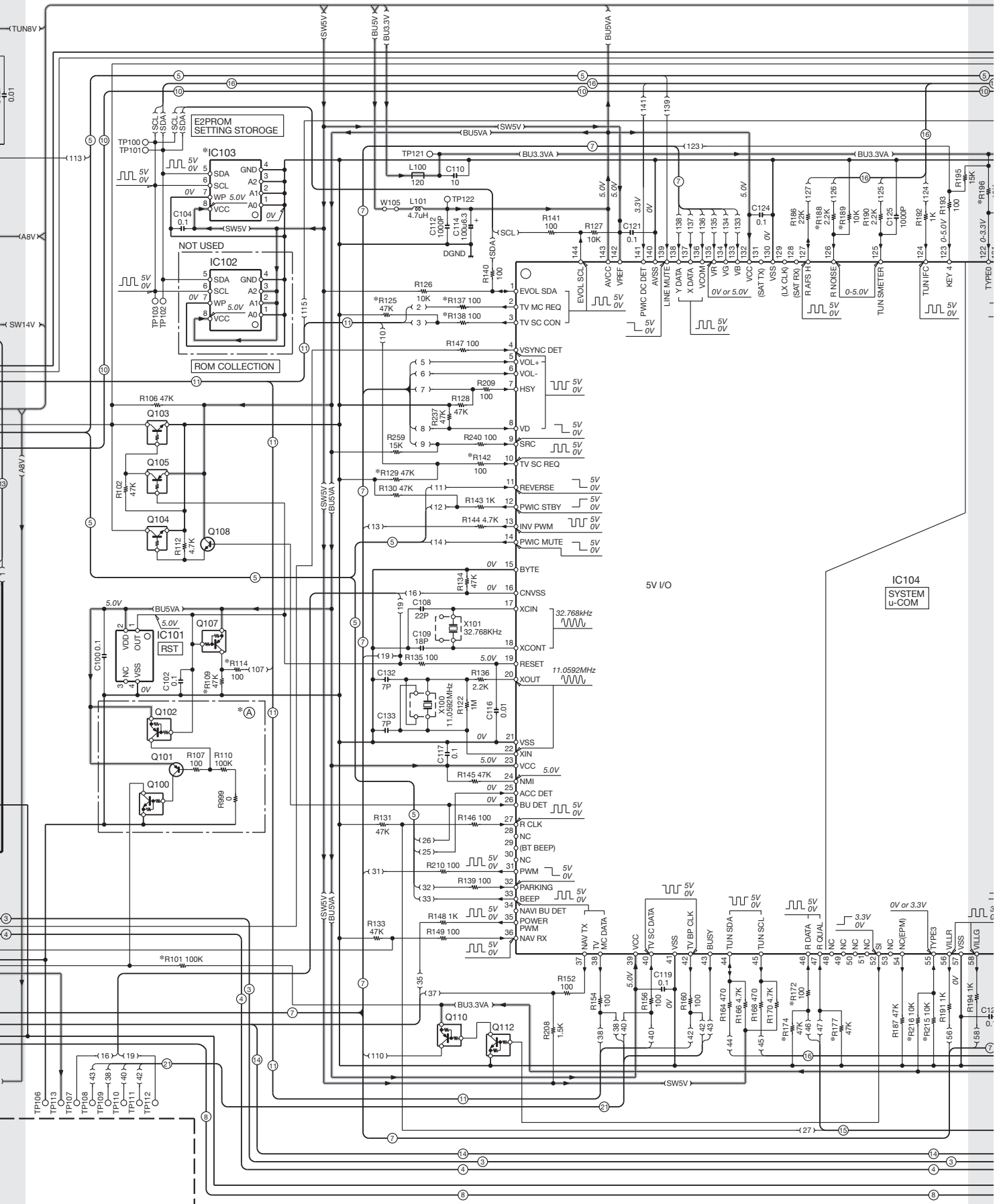
D 3/3 X35-A2-CN5

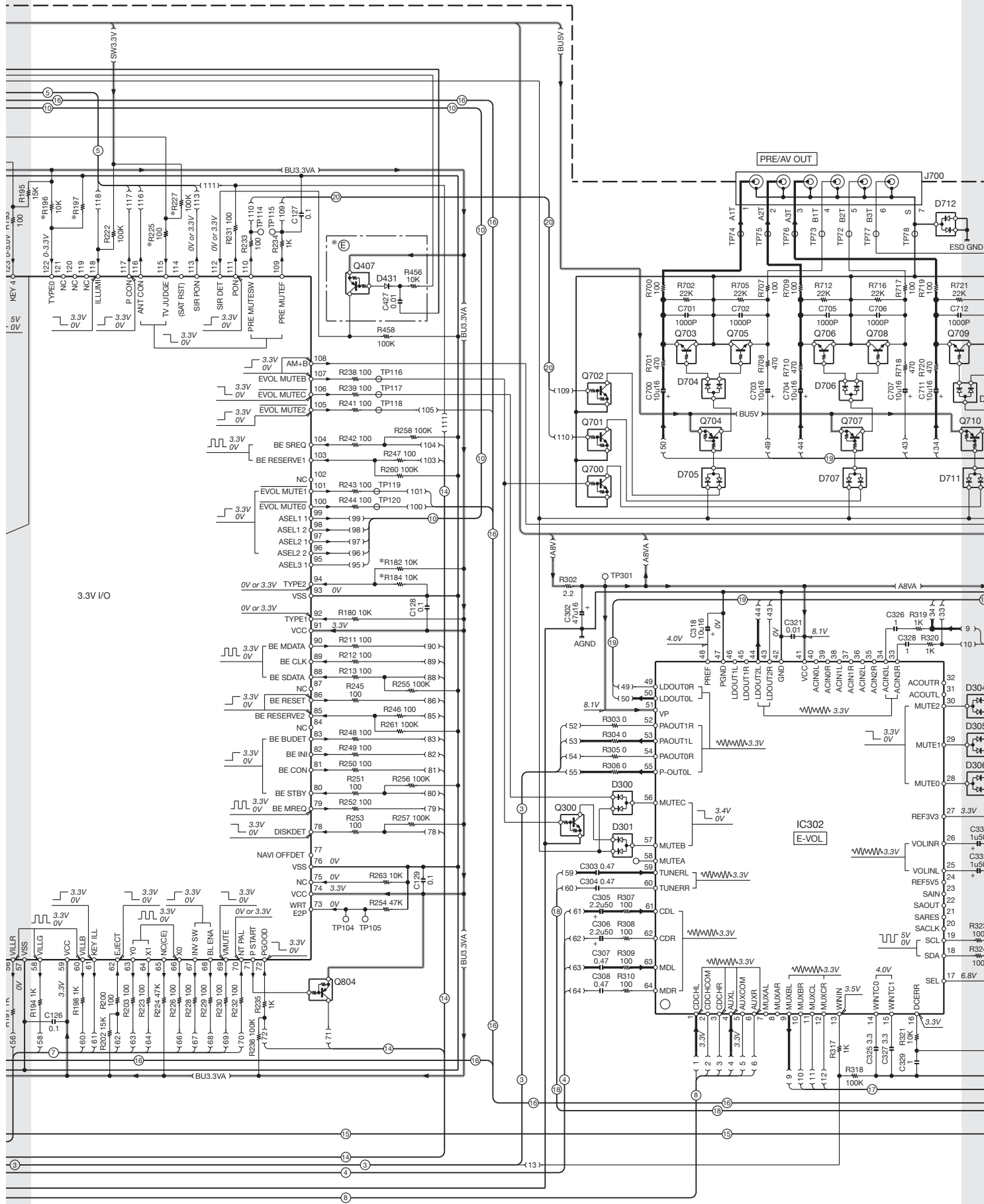


X15
A1/2
CN301

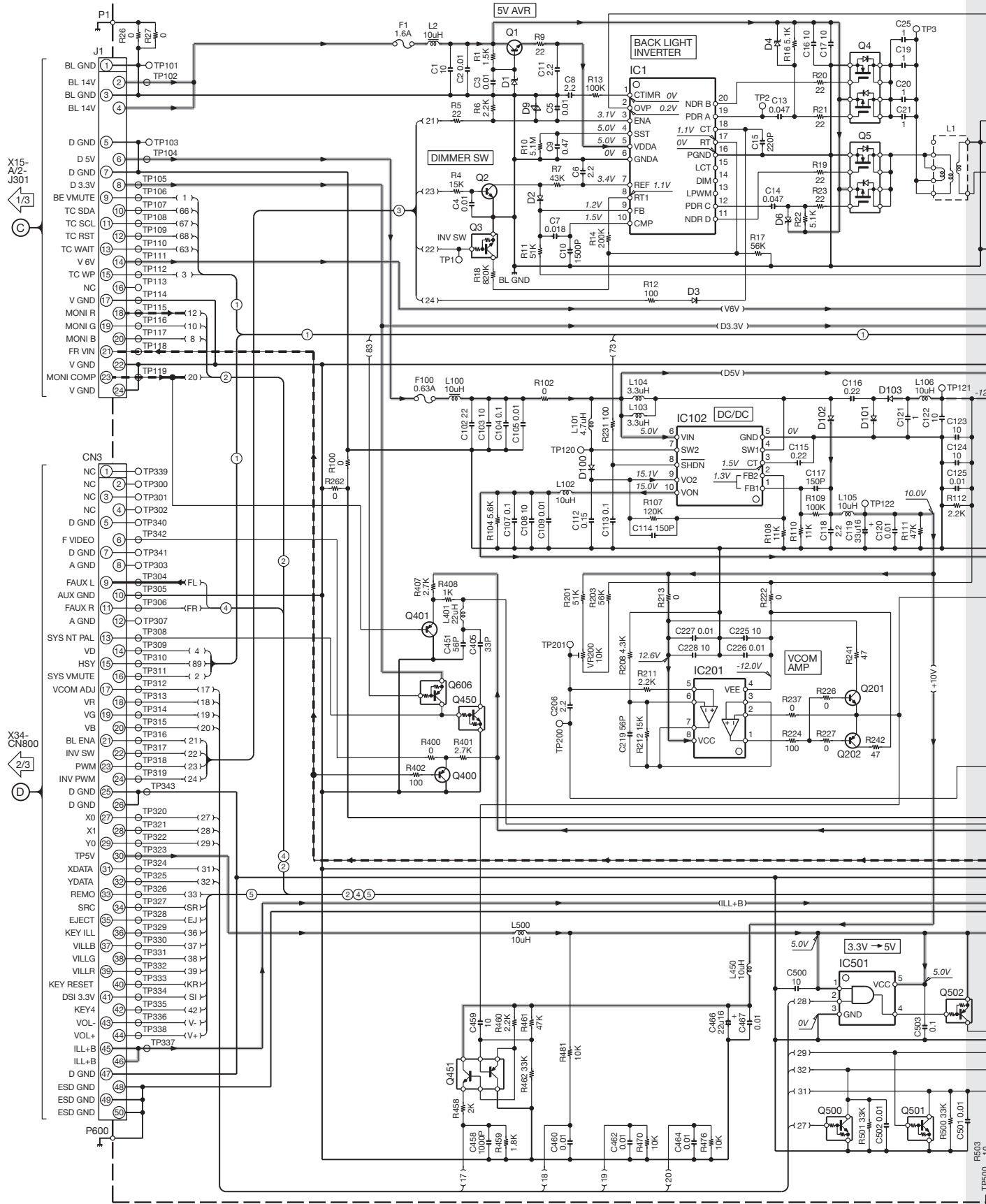


DDX5024/5034/5034BT/5034M/5054/514/54R
DNX5140/5240/5240BT/6000EX/6140





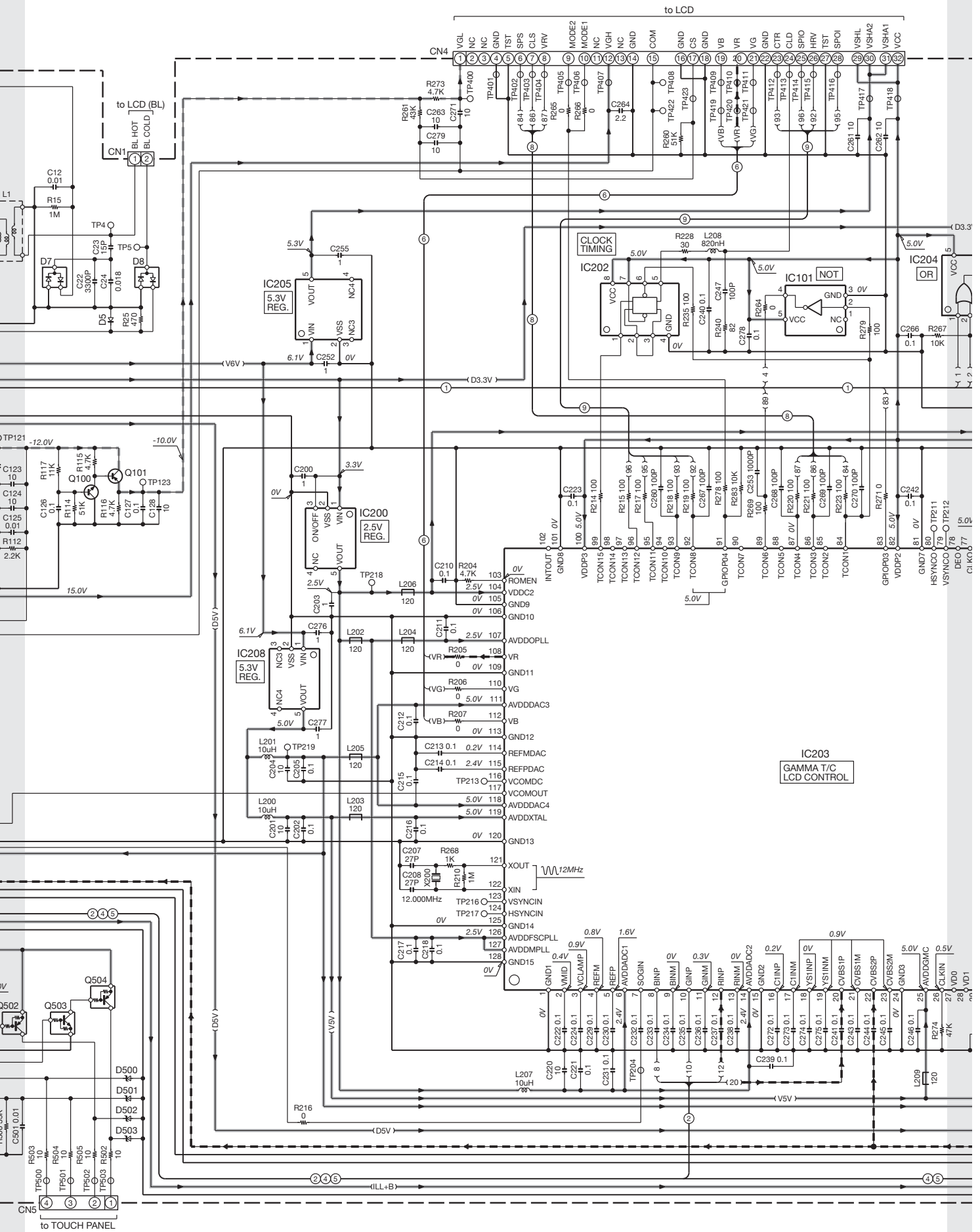
(X35-4890-10) (A/2)

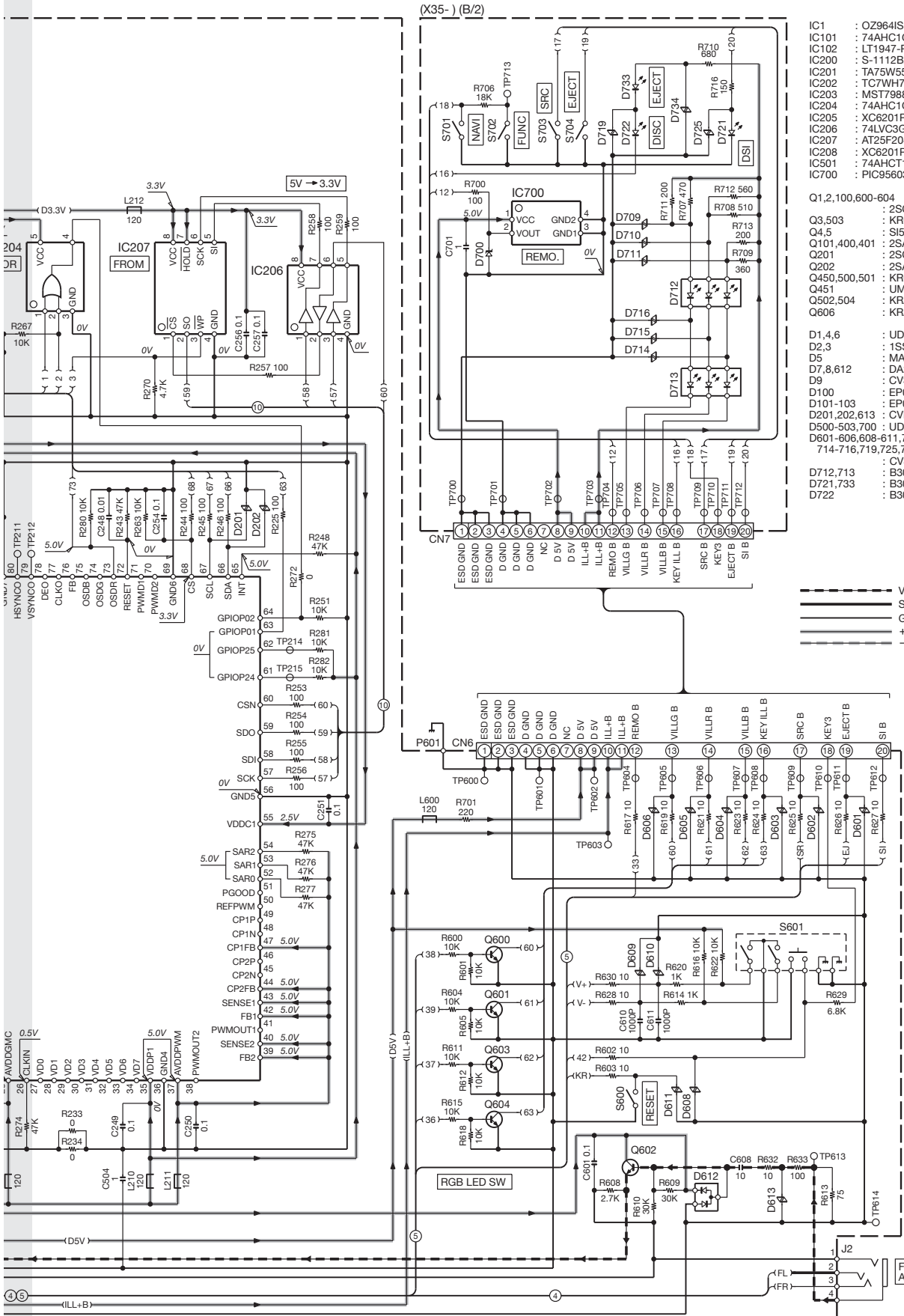


X15-A/2-J301
C
1/3

X34-CN800
D
2/3

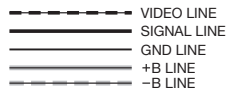
1
2
3
4
5
6
7





(X35-) (B/2)

- IC1 : OZ9641SN-C-SN
 - IC101 : 74AHC1G04GW
 - IC102 : LT1947-PBF
 - IC200 : S-1112B25MCG
 - IC201 : TA75W558FU-F
 - IC202 : TC7WH74FU-F
 - IC203 : MST7988LA-ALF
 - IC204 : 74AHC1G32GW
 - IC205 : XC6201P532MR
 - IC206 : 74LVC3G34DP
 - IC207 : AT25F2048-4Z7
 - IC208 : XC6201P502MR
 - IC501 : 74AHC1T1G08GW
 - IC700 : PIC95603
-
- Q1,2,100,600-604 : 2SC4081
 - Q3,503 : KRC406-P
 - Q4,5 : S15504DC-E3
 - Q101,400,401 : 2SA1576A
 - Q201 : 2SC4097
 - Q202 : 2SA1577
 - Q450,500,501 : KRC405-P
 - Q451 : UMZ1N
 - Q502,504 : KRA305-P
 - Q606 : KRA304-P
-
- D1,4,6 : UDZW5.6(B)
 - D2,3 : 1S5355
 - D5 : MA2S784-F
 - D7,8,612 : DA204U
 - D9 : CVS10A120M
 - D100 : EP05Q06
 - D101-103 : EP05Q04
 - D201,202,613 : CVL10C270M300
 - D500-503,700 : UDZW6.2(B)
 - D601-606,608-611,709-711,714-716,719,725,734 : CVS10A180M
 - D712,713 : B30-3202-05
 - D721,733 : B30-1566-05
 - D722 : B30-1713-05

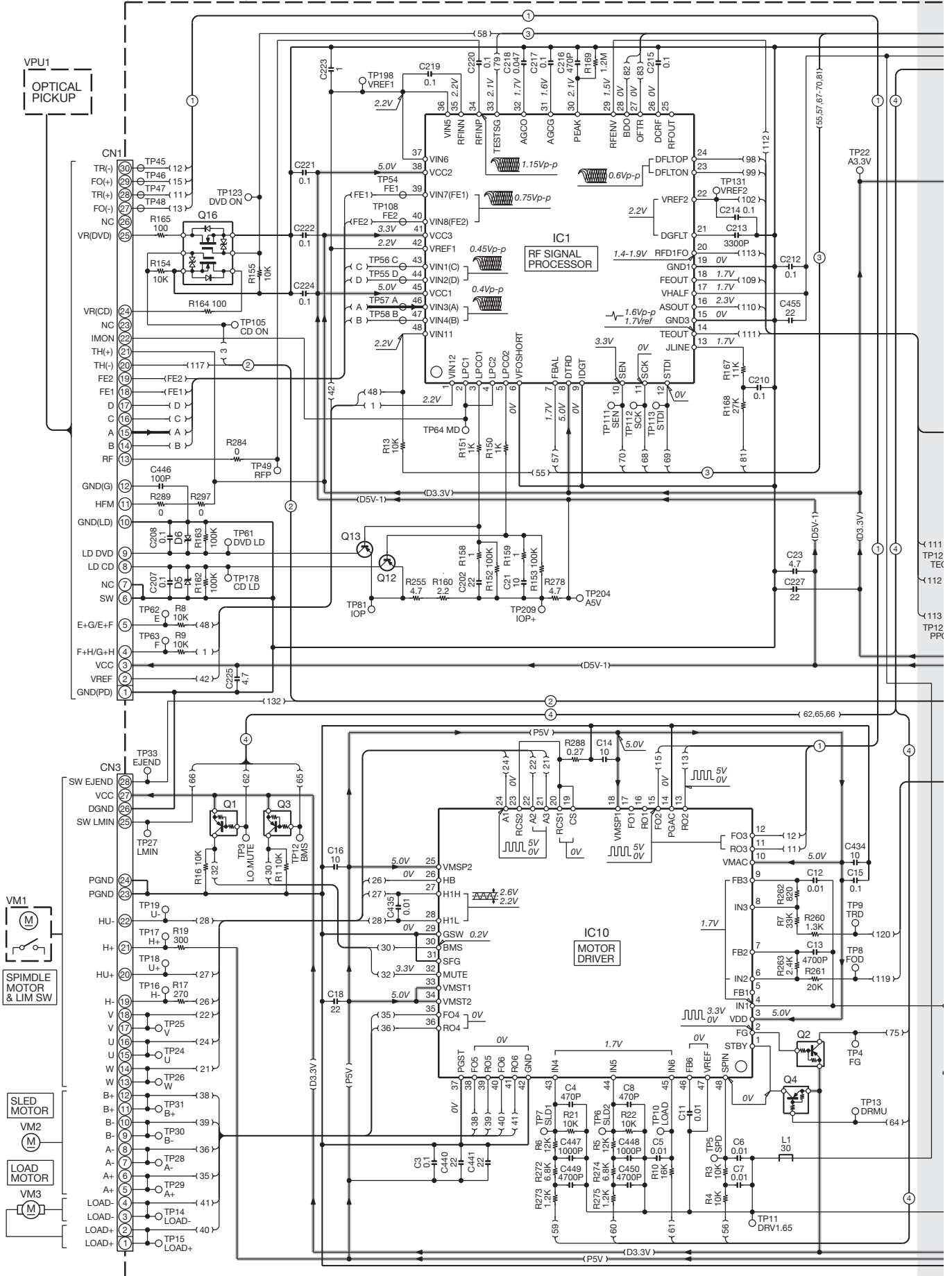


CAUTION : For continued safety, replace safety critical components only with manufacturer's recommended parts (refer to parts list). Δ Indicates safety critical components. To reduce the risk of electric shock, leakage-current or resistance measurements shall be carried out (exposed parts are acceptably insulated from the supply circuit) before the appliance is returned to the customer.

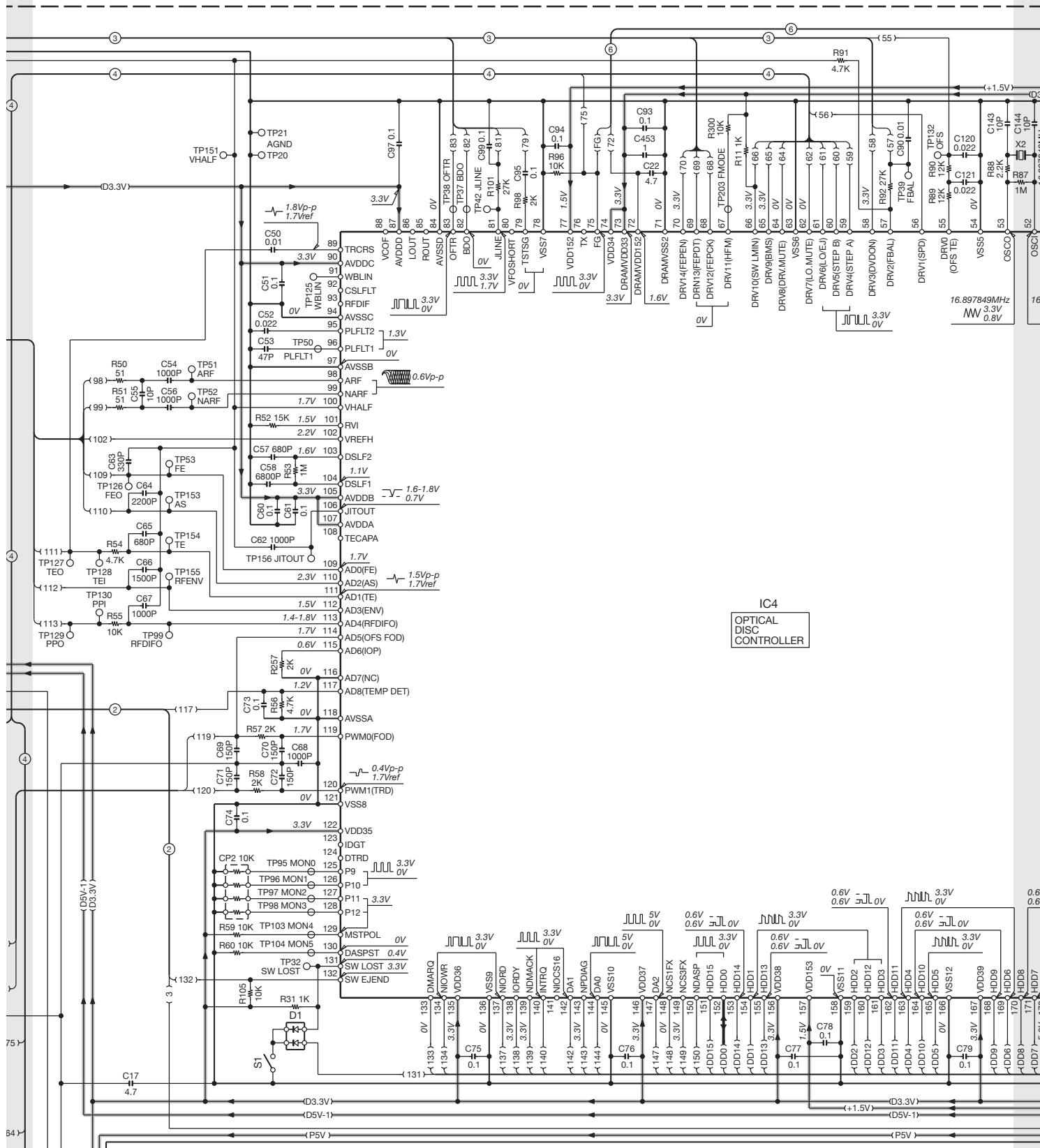
- DC voltages are as measured with a high impedance voltmeter. Values may vary slightly due to variations between individual instruments or/and units.

DDX5024/5034/5034BT/5034M/5054/514/54R
DNX5140/5240/5240BT/6000EX/6140 (3/3)

(X37-1230-00/1250-00)

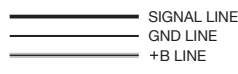


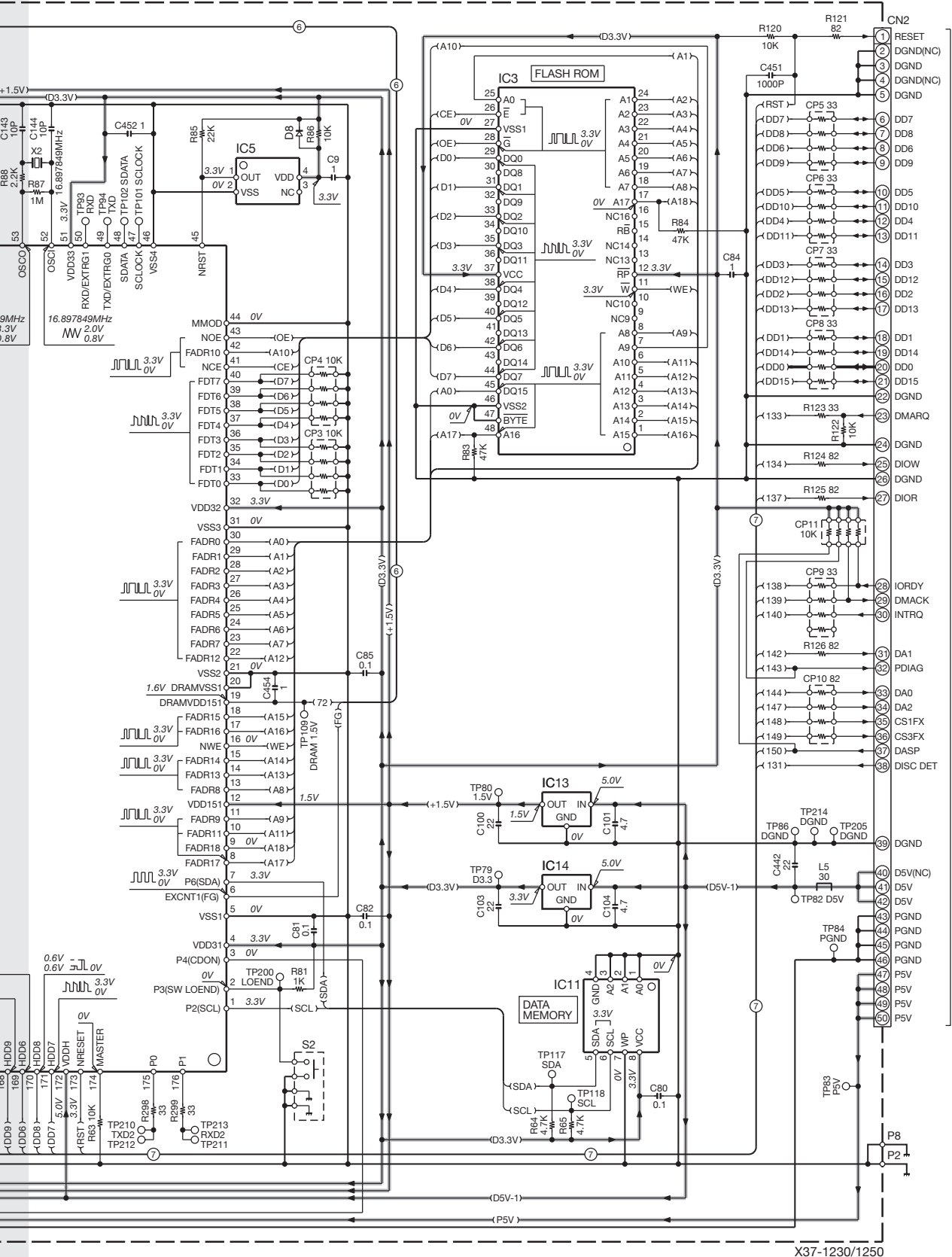
DDX5024/5034/5034BT/5034M/5054/514/54R
DNX5140/5240/5240BT/6000EX/6140



IC4
OPTICAL
DISC
CONTROLLER

- IC1 : AN22022ABV
- IC3 : -
- IC4 : MN103S71F
- IC5 : S1000N28I4T1G
- IC10 : AN41250A-VB
- IC11 : -
- IC13 : MJM2845DL115B
- IC14 : MJM2845DL133B
- Q1-4 : DTA143XE
- Q12,13 : 2SB1709
- Q16 : UM6K1N
- D1 : 1SS402-F
- D5,6 : 015AZ5.1-F(Y)
- D8 : 1SS387-F





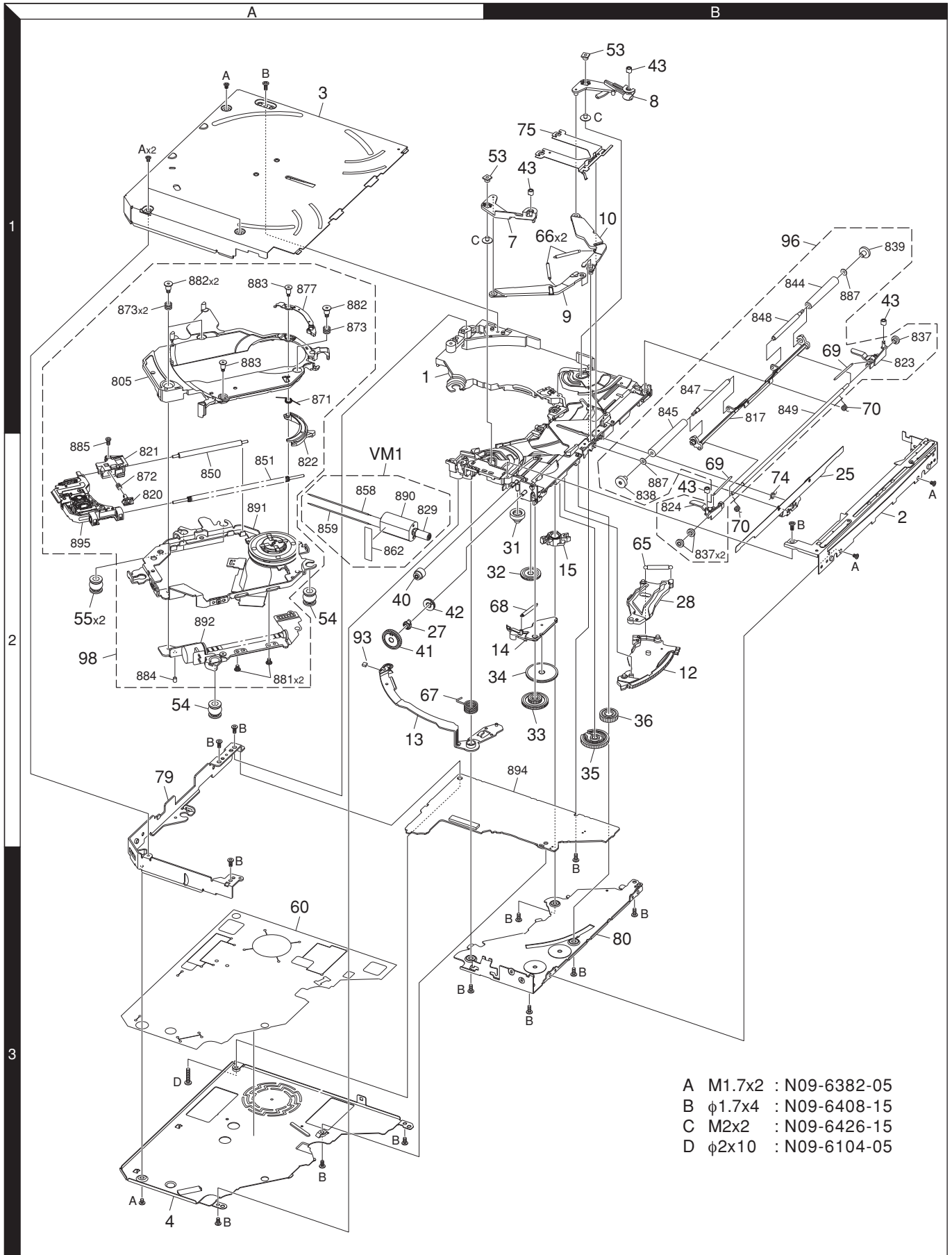
TO MAIN UNIT

X37-1230/1250

CAUTION : For continued safety, replace safety critical components only with manufacturer's recommended parts (refer to parts list).
 △Indicates safety critical components. To reduce the risk of electric shock, leakage-current or resistance measurements shall be carried out (exposed parts are acceptably insulated from the supply circuit) before the appliance is returned to the customer.

- DC voltages are as measured with a high impedance voltmeter. Values may vary slightly due to variations between individual instruments or/and units.

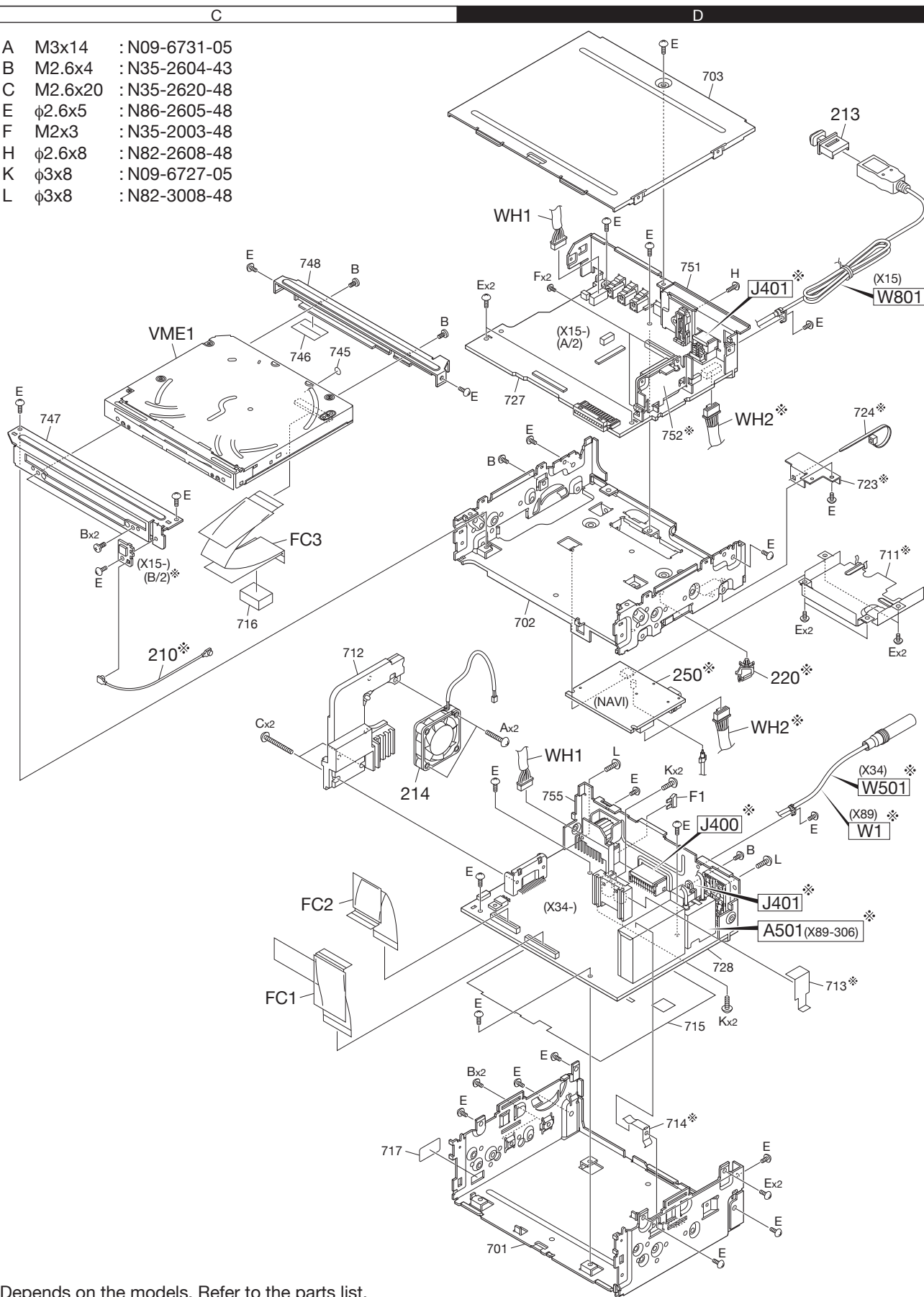
EXPLODED VIEW (DVD MECHANISM)



Parts with the exploded numbers larger than 700 are not supplied.

EXPLODED VIEW (UNIT)

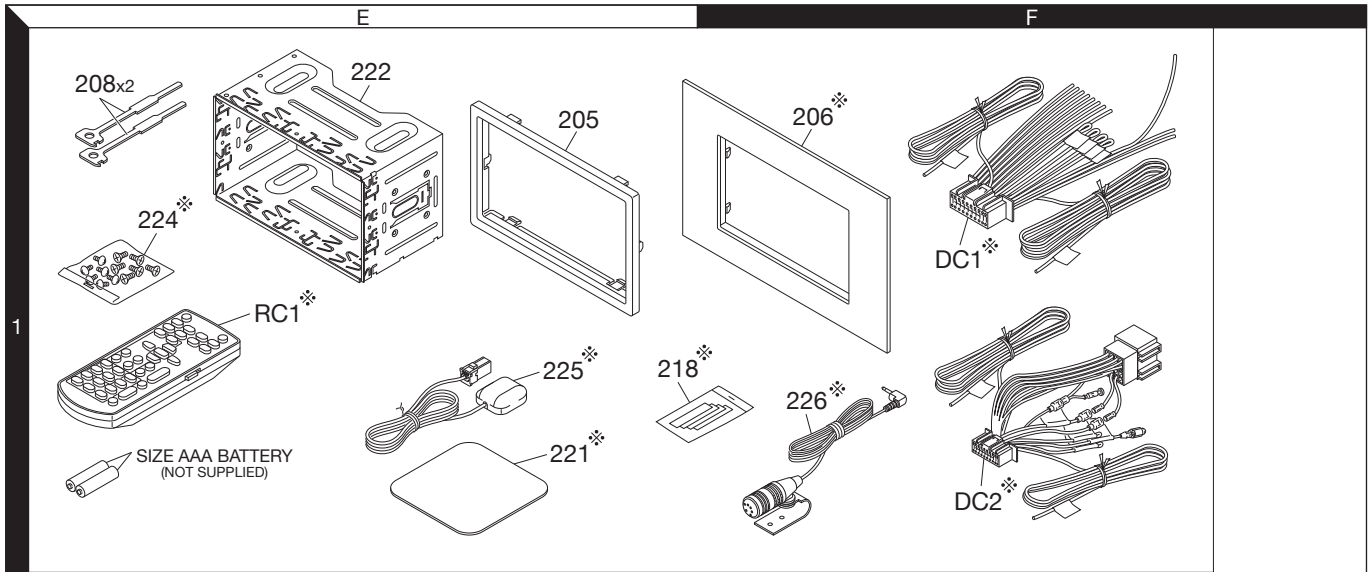
- A M3x14 : N09-6731-05
- B M2.6x4 : N35-2604-43
- C M2.6x20 : N35-2620-48
- E ϕ 2.6x5 : N86-2605-48
- F M2x3 : N35-2003-48
- H ϕ 2.6x8 : N82-2608-48
- K ϕ 3x8 : N09-6727-05
- L ϕ 3x8 : N82-3008-48



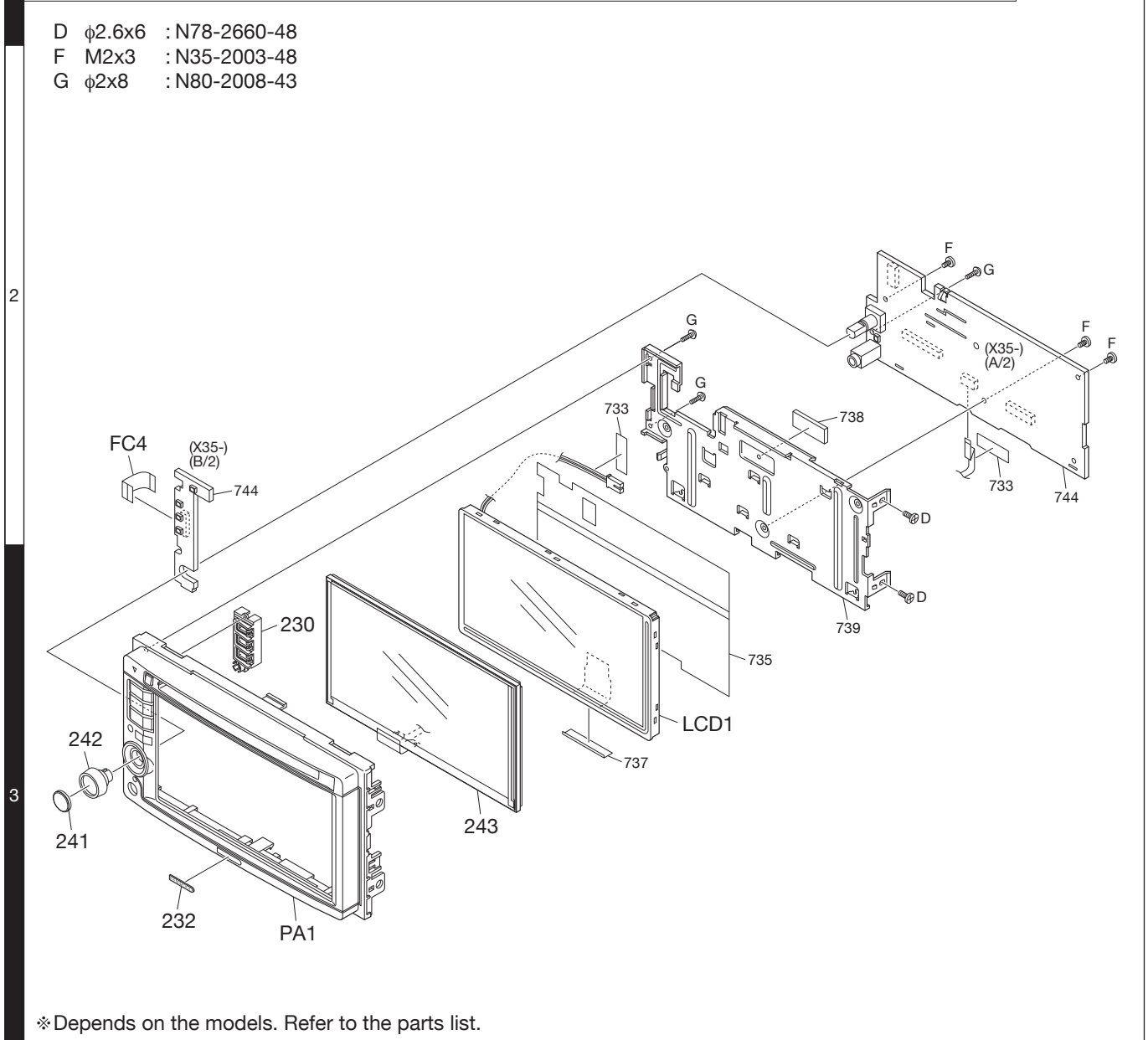
* Depends on the models. Refer to the parts list.

Parts with the exploded numbers larger than 700 are not supplied.

EXPLODED VIEW (PANEL MECHANISM)



- D ϕ 2.6x6 : N78-2660-48
- F M2x3 : N35-2003-48
- G ϕ 2x8 : N80-2008-43



*Depends on the models. Refer to the parts list.

Parts with the exploded numbers larger than 700 are not supplied.

PARTS LIST

* New parts
 Parts without **Parts No.** are not supplied.
 Les articles non mentionnés dans le **Parts No.** ne sont pas fournis.
 Teile ohne **Parts No.** werden nicht geliefert.

Ref. No.	A d d	N e w	Parts No.	Description	Desti- nation
DDX5024/5034/5034BT/5034M/5054/514/54R DNX5140/5240/5240BT/6000EX/6140					
RC1	1E		A70-2083-15	REMOTE CONTROLLER AS (RC-DV340)	M1M2X1
RC1	1E		A70-2083-15	REMOTE CONTROLLER AS (RC-DV340)	R1Q1Q2
RC1	1E		A70-2083-15	REMOTE CONTROLLER AS (RC-DV340)	R2
-	*		B54-4690-00	INSTALLATION MANUA (ENG.FRE.SPA)	KR1R2
-	*		B54-4690-00	INSTALLATION MANUA (ENG.FRE.SPA)	K1K2K3
-	*		B54-4691-00	INSTALLATION MANUAL (PORTUGUESE)	R1R2
-	*		B54-4692-00	INSTALLATION MANUAL (ENG.UKR.)	EQ1Q2
-	*		B54-4692-00	INSTALLATION MANUAL (ENG.UKR.)	E1E2
-	*		B54-4693-00	INSTALLATION MANUA (F.G.D.I.S.P)	EE1E2
-	*		B54-4694-00	INSTALLATION MANUAL (RUSSIAN)	Q1Q2
-	*		B54-4696-00	INSTALLATION MANUAL (ENGLISH)	M1M2X1
-	*		B54-4711-00	INSTALLATION MANUAL (S-CHL.KOR)	M1
-	*		B54-4712-00	INSTALLATION MANUAL (ARABIC)	M2
-	*		B64-4254-00	INSTRUCTION MANUAL (ENGLISH)	KR1R2
-	*		B64-4254-00	INSTRUCTION MANUAL (ENGLISH)	K1K2K3
-	*		B64-4255-00	INSTRUCTION MANUAL (FRENCH)	KK1K2
-	*		B64-4255-00	INSTRUCTION MANUAL (FRENCH)	K3
-	*		B64-4256-00	INSTRUCTION MANUAL (SPANISH)	KR1R2
-	*		B64-4256-00	INSTRUCTION MANUAL (SPANISH)	K1K2K3
-	*		B64-4257-00	INSTRUCTION MANUAL (PORTUGUESE)	R1R2
-	*		B64-4258-00	INSTRUCTION MANUAL (ENGLISH)	EQ1Q2
-	*		B64-4258-00	INSTRUCTION MANUAL (ENGLISH)	E1E2
-	*		B64-4259-00	INSTRUCTION MANUAL (FRENCH)	EE1E2
-	*		B64-4260-00	INSTRUCTION MANUAL (GERMAN)	EE1E2
-	*		B64-4261-00	INSTRUCTION MANUAL (DUTCH)	EE1E2
-	*		B64-4262-00	INSTRUCTION MANUAL (ITALIAN)	EE1E2
-	*		B64-4263-00	INSTRUCTION MANUAL (SPANISH)	EE1E2
-	*		B64-4264-00	INSTRUCTION MANUAL (PORTUGUESE)	EE1E2
-	*		B64-4265-00	INSTRUCTION MANUAL (RUSSIAN)	Q1Q2
-	*		B64-4266-00	INSTRUCTION MANUAL (UKRAINIAN)	EQ1Q2
-	*		B64-4266-00	INSTRUCTION MANUAL (UKRAINIAN)	E1E2
-	*		B64-4267-00	INSTRUCTION MANUAL (ENGLISH)	M1M2X1
-	*		B64-4269-00	INSTRUCTION MANUAL (S-CHINESE)	M1
-	*		B64-4270-00	INSTRUCTION MANUAL (KOREAN)	M1
-	*		B64-4271-00	INSTRUCTION MANUAL (ARABIC)	M2
-	*		B64-4275-00	INSTRUCTION MANUAL (ENGLISH)	K1K2K3
-	*		B64-4276-00	INSTRUCTION MANUAL (FRE.SPA.)	K1K2K3
-	*		B64-4277-00	INSTRUCTION MANUAL (ENGLISH)	E1E2
-	*		B64-4278-00	INSTRUCTION MANUAL (FRE.GER.DUT)	E1E2
-	*		B64-4279-00	INSTRUCTION MANUAL (ITA.SPA.POR)	E1E2
205	1E		B07-3165-02	ESCUTCHEON	
206	1F		B07-3172-12	ESCUTCHEON	M2X1
206	1F		B07-3172-12	ESCUTCHEON	Q1Q2M1
208	1E		D10-7012-04	LEVER	
210	2C		E30-6810-05	CORD WITH PLUG	K3
210	2C		E30-6810-05	CORD WITH PLUG	R2K2E2
DC1	1F	*	E30-6881-05	DC CORD	KR1M1
DC1	1F	*	E30-6881-05	DC CORD	K1K2K3
DC1	1F	*	E30-6881-05	DC CORD	M2X1R2
DC2	1F		E30-6796-05	DC CORD	EQ1Q2
DC2	1F		E30-6796-05	DC CORD	E1E2
FC1	3C		E39-0995-15	FLAT CABLE	

Ref. No.	A d d	N e w	Parts No.	Description	Desti- nation
FC2	3C		E39-0996-15	FLAT CABLE	
FC3	2C		E39-0997-15	FLAT CABLE	
WH1	1D		E39-0994-15	WIRING HARNESS	
213	1D		F09-2929-04	CAP	
214	2C		F09-2959-05	FAN	
F1	2D		F52-0007-05	FUSE(MINI BLADE TYPE) 15A	
-	*		H54-4490-03	ITEM CARTON CASE	K
-	*		H54-4491-03	ITEM CARTON CASE	R1
-	*		H54-4492-03	ITEM CARTON CASE	E
-	*		H54-4493-03	ITEM CARTON CASE	Q1
-	*		H54-4494-03	ITEM CARTON CASE	Q2
-	*		H54-4495-03	ITEM CARTON CASE	M1X1
-	*		H54-4496-03	ITEM CARTON CASE	M2
-	*		H54-4497-03	ITEM CARTON CASE	K1
-	*		H54-4499-03	ITEM CARTON CASE	E1
-	*		H54-4500-03	ITEM CARTON CASE	K2
-	*		H54-4501-03	ITEM CARTON CASE	E2
-	*		H54-4641-03	ITEM CARTON CASE	R2
-	*		H54-4642-03	ITEM CARTON CASE	K3
218	1F		H30-0595-04	ADHESIVE DOUBLE-COATED TAPE	M2X1
218	1F		H30-0595-04	ADHESIVE DOUBLE-COATED TAPE	Q1Q2M1
220	2D		J11-0660-05	CLAMPER	K1K2K3
221	1E		J21-9867-04	MOUNTING HARDWARE	E1E2
221	1E		J21-9867-04	MOUNTING HARDWARE	K1K2K3
222	1E		J22-0657-03	MOUNTING HARDWARE ASSY	
224	1E		N99-1779-15	SCREW SET	KR1M1
224	1E		N99-1779-15	SCREW SET	K1K2K3
224	1E		N99-1779-15	SCREW SET	M2X1R2
A	2D		N09-6731-05	MACHINE SCREW (M3.0X14)	
B	3D		N35-2604-43	BINDING HEAD MACHINE SCREW	
C	2C		N35-2620-48	BINDING HEAD MACHINE SCREW	
D	3F		N78-2660-48	PAN HEAD TAPTITE SCREW	
E	1D		N86-2605-48	BINDING HEAD TAPTITE SCREW	
225	1E		W02-5305-05	ANTENNA MODULE (GPS-ANT)	E1E2
225	1E		W02-5305-05	ANTENNA MODULE (GPS-ANT)	K1K2K3
226	1F		W01-1718-05	MICROPHONE	K3
226	1F		W01-1718-05	MICROPHONE	R2K2E2
DISPLAY ASSY					
PA1	3E	*	A64-4862-01	PANEL ASSY	K
PA1	3E	*	A64-4863-01	PANEL ASSY	R1
PA1	3E	*	A64-4864-01	PANEL ASSY	E
PA1	3E	*	A64-4865-01	PANEL ASSY	Q2
PA1	3E	*	A64-4866-01	PANEL ASSY	M1M2X1
PA1	3E	*	A64-4867-01	PANEL ASSY	K1
PA1	3E	*	A64-4869-01	PANEL ASSY	E1
PA1	3E	*	A64-4870-01	PANEL ASSY	K2
PA1	3E	*	A64-4871-01	PANEL ASSY	E2
PA1	3E	*	A64-4874-01	PANEL ASSY	Q1
PA1	3E	*	A64-4945-01	PANEL ASSY	K3
PA1	3E	*	A64-4946-01	PANEL ASSY	R2
230	3E		B19-2492-13	LIGHTING BOARD	
232	3E		B43-1518-04	BADGE	
LCD1	3F		B38-1202-05	LCD	

E: DDX5024 E1: DNX5240 E2: DNX5240BT (Europe) Q1: DDX5054 Q2: DDX54R (Russian)
 K: DDX514 K1: DNX5140 K2: DNX6140 K3: DNX6000EX (North America)
 X1: DDX5034 (Australia) R1: DDX5034 R2: DDX5034BT (Latin America)
 M1: DDX5034 M2: DDX5034M (Other Areas)

△Indicates safety critical components.

PARTS LIST

DISPLAY ASSY

Ref. No.	A d d	N e w	Parts No.	Description	Desti- nation
FC4	2E		E39-0998-15	FLAT CABLE	
241	3E		K28-0302-04	KEY TOP (VOL)	
242	3E		K28-0304-23	KNOB ASSY (VOL)	
F	2F		N35-2003-48	BINDING HEAD MACHINE SCREW	
G	2F		N80-2008-43	PAN HEAD TAPTITE SCREW	
243	3E	*	S79-0867-05	SWITCH ASSY	
DVD PLAYER ASSY					
B	3D		N35-2604-43	BINDING HEAD MACHINE SCREW	
VME1	1C	*	X92-6400-00	DVD MECHANISM ASSY (DVS-8220W)	
CONTROL ASSY (NAVI ASSY)					
WH2	2D	*	E39-0993-35	WIRING HARNESS	E1E2
WH2	2D	*	E39-0993-35	WIRING HARNESS	K1K2K3
250	2D	*	W02-5306-15	NAVIGATION MODULE	K1K2K3
250	2D		W02-5308-25	NAVIGATION MODULE	E1E2
VIDEO CONTROL UNIT (X15-124x-xx)					
C1			C90-5670-05	ELECTRO 2200UF 16WV	
C4 ,5			CK73GB1H104K	CHIP C 0.10UF K	
C8			CK73GB1H104K	CHIP C 0.10UF K	
C9			CK73FB1A225K	CHIP C 2.2UF K	
C10			CE32BQ1E101M	CHIP EL 100UF 25WV	
C100,101			CC73HCH1H101J	CHIP C 100PF J	
C102			CK73GB1H104K	CHIP C 0.10UF K	
C103			CC73HCH1H221J	CHIP C 220PF J	
C104,105			CC73HCH1H470J	CHIP C 47PF J	
C106,107			CK73HB1C473K	CHIP C 0.047UF K	
C108			CC73HCH1H221J	CHIP C 220PF J	
C109,110			CC73HCH1H470J	CHIP C 47PF J	
C111			CK73HB1C473K	CHIP C 0.047UF K	
C112,113			CC73HCH1H221J	CHIP C 220PF J	
C116			CK73GB1H103K	CHIP C 0.010UF K	
C117			CK73GB1H223K	CHIP C 0.022UF K	
C118,119			CK73GB1H103K	CHIP C 0.010UF K	
C120			CK73GB1H153K	CHIP C 0.015UF K	
C121			CK73GB1H223K	CHIP C 0.022UF K	
C124-129			CK73HB1H102K	CHIP C 1000PF K	
C130,131			CK73FB0J106K	CHIP C 10UF K	
C132,133			CK73GB1H104K	CHIP C 0.10UF K	
C134,135			CK73FB0J106K	CHIP C 10UF K	
C136-141			CK73GB1H104K	CHIP C 0.10UF K	
C142,143			CK73EB1E225K	CHIP C 2.2UF K	
C144-149			CK73GB1H104K	CHIP C 0.10UF K	
C150-157			CK73GB1H103K	CHIP C 0.010UF K	
C158-161			CK73GB1H104K	CHIP C 0.10UF K	
C162-169			CK73HB1H102K	CHIP C 1000PF K	
C170			CK73EB1E106K	CHIP C 10UF K	
C171			CK73GB1H103K	CHIP C 0.010UF K	
C172			CK73GB1H104K	CHIP C 0.10UF K	
C173,174			CE32BQ1E680M	CHIP EL 68UF 25WV	
C175			CK73GB1H104K	CHIP C 0.10UF K	
C176			CK73GB1H103K	CHIP C 0.010UF K	

Ref. No.	A d d	N e w	Parts No.	Description	Desti- nation
C177,178			CK73EB1E106K	CHIP C 10UF K	
C179			CK73GB1H103K	CHIP C 0.010UF K	
C180			CK73GB1H104K	CHIP C 0.10UF K	
C181,182			CE32BQ1E680M	CHIP EL 68UF 25WV	
C183			CK73GB1H104K	CHIP C 0.10UF K	
C184			CK73GB1H103K	CHIP C 0.010UF K	
C185			CK73EB1E106K	CHIP C 10UF K	
C186-189			CK73HB1H102K	CHIP C 1000PF K	
C190			CE32AV0J221M	CHIP EL 220UF 6.3WV	
C191			CK73GB1H103K	CHIP C 0.010UF K	
C192,193			CK73GB1H104K	CHIP C 0.10UF K	
C194			CK73GB1H103K	CHIP C 0.010UF K	
C195			CE32AV0J221M	CHIP EL 220UF 6.3WV	
C196			CE32AV0G331M	CHIP EL 330UF 4.0WV	
C197			CK73GB1H103K	CHIP C 0.010UF K	
C198,199			CK73GB1H104K	CHIP C 0.10UF K	
C200			CK73GB1H103K	CHIP C 0.010UF K	
C201			CK73HB1A104K	CHIP C 0.10UF K	
C204,205			CK73GB1A474K	CHIP C 0.47UF K	
C206			CE32BJ1C470M	CHIP EL 47UF 16WV	
C207			CK73GB1A474K	CHIP C 0.47UF K	
C208			CK73GB1H103K	CHIP C 0.010UF K	
C209			CK73GB1A474K	CHIP C 0.47UF K	
C210			CK73GB0J475K	CHIP C 4.7UF K	
C211			CK73FB0J106K	CHIP C 10UF K	
C212			CK73GB0J475K	CHIP C 4.7UF K	
C213			CK73HB1H102K	CHIP C 1000PF K	
C214			CE32AV1A121M	CHIP EL 120UF 10WV	
C215-217			CK73HB1H102K	CHIP C 1000PF K	
C218,219			CK73GB1A105K	CHIP C 1.0UF K	
C220			CE32BJ1C470M	CHIP EL 47UF 16WV	
C225-227			CK73GB1A105K	CHIP C 1.0UF K	
C229			CK73GB1H103K	CHIP C 0.010UF K	
C232			CK73GB1H104K	CHIP C 0.10UF K	
C233,234			CK73GB1A105K	CHIP C 1.0UF K	
C235,236			CE32BJ1C220M	CHIP EL 22UF 16WV	
C239			CK73GB1H103K	CHIP C 0.010UF K	
C240-243			CK73GB1A105K	CHIP C 1.0UF K	
C244			CK73FB0J106K	CHIP C 10UF K	
C245			CK73GB1H104K	CHIP C 0.10UF K	
C246			CK73FB0J106K	CHIP C 10UF K	
C247			CK73GB1H104K	CHIP C 0.10UF K	
C248			CE32BQ0J331M	CHIP EL 330UF 6.3WV	
C249			CK73GB1A105K	CHIP C 1.0UF K	
C250			CK73FB0J106K	CHIP C 10UF K	
C265			CK73HB1H102K	CHIP C 1000PF K	
C271,272			CC73GCH1H471J	CHIP C 470PF J	
C300,301			CK73GB1H104K	CHIP C 0.10UF K	KM1M2
C300,301			CK73GB1H104K	CHIP C 0.10UF K	K1E1K2
C300,301			CK73GB1H104K	CHIP C 0.10UF K	K3
C300,301			CK73GB1H104K	CHIP C 0.10UF K	R2Q1Q2
C300,301			CK73GB1H104K	CHIP C 0.10UF K	X1ER1
C301			CK73GB1H104K	CHIP C 0.10UF K	E2
C302			CK73GB1H103K	CHIP C 0.010UF K	
C303			CK73GB1H104K	CHIP C 0.10UF K	

E: DDX5024 E1: DNX5240 E2: DNX5240BT (Europe) Q1: DDX5054 Q2: DDX54R (Russian)
 K: DDX514 K1: DNX5140 K2: DNX6140 K3: DNX6000EX (North America)
 X1: DDX5034 (Australia) R1: DDX5034 R2: DDX5034BT (Latin America)
 M1: DDX5034 M2: DDX5034M (Other Areas)

△ Indicates safety critical components.

PARTS LIST

VIDEO CONTROL UNIT (X15-124x-xx)

Ref. No.	A d d	N e w	Parts No.	Description	Desti- nation	Ref. No.	A d d	N e w	Parts No.	Description	Desti- nation
C304			CK73GB1H103K	CHIP C 0.010UF K		C752-758			CK73GB1H104K	CHIP C 0.10UF K	
C307			CK73GB1H104K	CHIP C 0.10UF K		C761,762			CK73FB0J106K	CHIP C 10UF K	
C308			CK73GB1H103K	CHIP C 0.010UF K		C763,764			CK73GB1H104K	CHIP C 0.10UF K	
C309			CE32BQ1E101M	CHIP EL 100UF 25WV		C801-804			CK73GB1A105K	CHIP C 1.0UF K	
C312,313			CK73HB1H102K	CHIP C 1000PF K		C807			CK73GB1A105K	CHIP C 1.0UF K	
C314			CK73GB1H103K	CHIP C 0.010UF K		C808,809			CK73GB1H104K	CHIP C 0.10UF K	
C408			CK73GB1A474K	CHIP C 0.47UF K		C811			CK73GB1A105K	CHIP C 1.0UF K	
C410			CE32BJ0J470M	CHIP EL 47UF 6.3WV		C812-825			CK73GB1H104K	CHIP C 0.10UF K	
C412			CK73GB1A474K	CHIP C 0.47UF K		C826			CK73GB1A105K	CHIP C 1.0UF K	
C413			CE32BQ1C221M	CHIP EL 220UF 16WV	E1E2	C827,828			CK73GB1H104K	CHIP C 0.10UF K	
C413			CE32BQ1C221M	CHIP EL 220UF 16WV	K1K2K3	C829			CK73GB1A105K	CHIP C 1.0UF K	
C414			CK73GB1H103K	CHIP C 0.010UF K	E1E2	C830			CK73GB1H104K	CHIP C 0.10UF K	
C414			CK73GB1H103K	CHIP C 0.010UF K	K1K2K3	C833			CK73GB1A105K	CHIP C 1.0UF K	
C501			CK73GB1H104K	CHIP C 0.10UF K	K3	C834,835			CC73HCH1H100D	CHIP C 10PF D	
C501			CK73GB1H104K	CHIP C 0.10UF K	R2K2E2	C836-839			CK73FB0J106K	CHIP C 10UF K	
C502,503			CC73HCH1H100D	CHIP C 10PF D	K3	C840			CK73GB1H104K	CHIP C 0.10UF K	
C502,503			CC73HCH1H100D	CHIP C 10PF D	R2K2E2	C841			CE32BQ1C221M	CHIP EL 220UF 16WV	
C504-507			CK73GB1A105K	CHIP C 1.0UF K	K3	C842			CC73HCH1H101J	CHIP C 100PF J	
C504-507			CK73GB1A105K	CHIP C 1.0UF K	R2K2E2	C843			CK73FB0J106K	CHIP C 10UF K	
C508			CK73FB0J106K	CHIP C 10UF K	K3	C862,863			CK73GB1C104K	CHIP C 0.10UF K	
C509			CC73HCH1H101J	CHIP C 100PF J	R2K2E2	C864			CK73GB1H104K	CHIP C 0.10UF K	
C510,511			CK73GB1H104K	CHIP C 0.10UF K	K3	C865			CK73HB1H102K	CHIP C 1000PF K	
C510,511			CK73GB1H104K	CHIP C 0.10UF K	R2K2E2	CN1			E41-2685-05	PIN ASSY	
C601-603			CK73GB1H104K	CHIP C 0.10UF K		CN2			E41-2735-05	PIN ASSY	
C604-606			CK73GB1A105K	CHIP C 1.0UF K		CN301			E41-2237-05	FLAT CABLE CONNECTOR	
C607			CK73FB0J106K	CHIP C 10UF K		CN401			E41-2772-05	PIN ASSY	E1E2
C621-624			CK73GB1H104K	CHIP C 0.10UF K		CN401			E41-2772-05	PIN ASSY	K1K2K3
C625			CK73GB0J475K	CHIP C 4.7UF K		CN701			E41-2979-05	FLAT CABLE CONNECTOR	
C626-630			CK73GB1H104K	CHIP C 0.10UF K		J201			E11-0625-05	PHONE JACK (IPOD-A)	
C631			CK73GB0J475K	CHIP C 4.7UF K		J202			E11-0656-05	PHONE JACK (IPOD-V YELLOW)	
C632-638			CK73GB1H104K	CHIP C 0.10UF K		J203			E63-0956-05	RCA PIN JACK (AV-OUT,V-IN)	
C651			CK73FB0J475K	CHIP C 4.7UF K		J301	*		E58-1115-05	RECTANGULAR RECEPTACLE	
C655,656			CK73FB0J106K	CHIP C 10UF K		J401			E56-0809-15	CYLINDRICAL RECEPTACLE	KM1M2
C657,658			CK73GB1H104K	CHIP C 0.10UF K		J401			E56-0809-15	CYLINDRICAL RECEPTACLE	R2Q1Q2
C661,662			CK73EB1C106K	CHIP C 10UF K		J401			E56-0809-15	CYLINDRICAL RECEPTACLE	X1ER1
C663,664			CK73HB1H222K	CHIP C 2200PF K		J501			E11-0625-05	PHONE JACK (IPOD-A)	K3
C665,666			CK73HB1H271K	CHIP C 270PF K		J501			E11-0625-05	PHONE JACK (IPOD-A)	R2K2E2
C667-670			CK73EB1C106K	CHIP C 10UF K		J502			E04-0433-05	RF COAXIAL CABLE RECEPTACLE	K3
C672			CK73FB0J106K	CHIP C 10UF K		J502			E04-0433-05	RF COAXIAL CABLE RECEPTACLE	R2K2E2
C673			CK73GB1H103K	CHIP C 0.010UF K		J681			E11-0625-05	PHONE JACK (IPOD-A)	
C691			CK73GB1H104K	CHIP C 0.10UF K		W801			E30-6777-05	CORD WITH CONNECTOR (USB CABLE)	
C701,702			CK73FB0J106K	CHIP C 10UF K		L1			L33-2358-05	CHOKE COIL	
C703			CE32BQ1E680M	CHIP EL 68UF 25WV	△	L100-103			L33-2369-05	CHOKE COIL	
C704			CK73GB1A105K	CHIP C 1.0UF K		L104-107			L33-2455-05	CHOKE COIL	
C705-725			CK73GB1H104K	CHIP C 0.10UF K		L108			L92-0373-05	CHIP FERRITE	
C726,727			CC73HCH1H100D	CHIP C 10PF D		L201			L92-0319-05	CHIP FERRITE	
C728			CK73GB1H104K	CHIP C 0.10UF K		L203			L92-0319-05	CHIP FERRITE	
C729,730			CC73HCH1H220J	CHIP C 22PF J		L204			L41-1005-33	SMALL FIXED INDUCTOR (10U)	
C731			CK73FB0J106K	CHIP C 10UF K		L300			L92-0373-05	CHIP FERRITE	KM1M2
C732			CK73GB1H104K	CHIP C 0.10UF K		L300			L92-0373-05	CHIP FERRITE	K1E1K2
C741			CK73GB0J475K	CHIP C 4.7UF K		L300			L92-0373-05	CHIP FERRITE	K3
C742-748			CK73GB1H104K	CHIP C 0.10UF K		L302			L92-0373-05	CHIP FERRITE	R2Q1Q2
C751			CK73GB0J475K	CHIP C 4.7UF K					L33-2369-05	CHOKE COIL	X1ER1

PARTS LIST

VIDEO CONTROL UNIT (X15-124x-xx)

Ref. No.	Add	New	Parts No.	Description	Destination	Ref. No.	Add	New	Parts No.	Description	Destination
L303			L92-0329-05	CHIP FERRITE		R161-165			RK73GB2A000J	CHIP R 0.0 J 1/10W	
L401			L33-2369-05	CHOKE COIL	E1E2	R201,202			RK73HB1J202J	CHIP R 2.0K J 1/16W	
L401			L33-2369-05	CHOKE COIL	K1K2K3	R203			RK73EB2E100J	CHIP R 10 J 1/4W	
L501,502			L92-0373-05	CHIP FERRITE	K3	R204			RK73HB1J223J	CHIP R 22K J 1/16W	
L501,502			L92-0373-05	CHIP FERRITE	R2K2E2	R205,206			RK73EB2E100J	CHIP R 10 J 1/4W	
L601,602			L92-0319-05	CHIP FERRITE		R207			RK73HB1J223J	CHIP R 22K J 1/16W	
L701-706			L92-0373-05	CHIP FERRITE		R208			RK73EB2E100J	CHIP R 10 J 1/4W	
L731			L92-0373-05	CHIP FERRITE		R209			RK73GB2A222J	CHIP R 2.2K J 1/10W	
L741			L92-0373-05	CHIP FERRITE		R210			RK73FB2B101J	CHIP R 100 J 1/8W	
L751			L92-0373-05	CHIP FERRITE		R211			RK73GB2A750J	CHIP R 75 J 1/10W	
L801			L92-0642-05	CHIP FERRITE		R212			RK73EB2E101J	CHIP R 100 J 1/4W	
L803			L92-0642-05	CHIP FERRITE		R213			RK73GB2A102J	CHIP R 1.0K J 1/10W	
L804,805			L92-0641-05	FERRITE CORE		R215			RK73HB1J100J	CHIP R 10 J 1/16W	
L806			L92-0651-05	CHIP FERRITE	KM1M2	R228			RK73GH2A471D	CHIP R 470 D 1/10W	
L806			L92-0651-05	CHIP FERRITE	R2Q1Q2	R229			RK73HB1J332J	CHIP R 3.3K J 1/16W	
L806			L92-0651-05	CHIP FERRITE	X1ER1	R236-238			RK73GH2A102D	CHIP R 1.0K D 1/10W	
L806,807			L92-0651-05	CHIP FERRITE	E1E2	R239			RK73HB1J103J	CHIP R 10K J 1/16W	
L806,807			L92-0651-05	CHIP FERRITE	K1K2K3	R241			RK73GH2A102D	CHIP R 1.0K D 1/10W	
L808			L92-0641-05	FERRITE CORE	E1E2	R243			RK73HB1J101J	CHIP R 100 J 1/16W	
L808			L92-0641-05	FERRITE CORE	K1K2K3	R244			RK73HB1J103J	CHIP R 10K J 1/16W	
L811			L92-0373-05	CHIP FERRITE		R245			RK73GH2A102D	CHIP R 1.0K D 1/10W	
X701			L77-2866-05	CRYSTAL RESONATOR (27MHZ)		R246-249			RK73HB1J105J	CHIP R 1.0M J 1/16W	
X801			L77-2943-05	CRYSTAL RESONATOR (24.000MHZ)		R250			RK73HB1J103J	CHIP R 10K J 1/16W	
F	1D		N35-2003-48	BINDING HEAD MACHINE SCREW	K2E2K3	R253			RK73HB1J332J	CHIP R 3.3K J 1/16W	
H	1D		N82-2608-48	BINDING HEAD TAPTITE SCREW		R254			RK73GH2A102D	CHIP R 1.0K D 1/10W	
CP701-708			RK74HB1J220J	CHIP-COM 22 J 1/16W		R255,256			RK73HB1J105J	CHIP R 1.0M J 1/16W	
CP709-713			RK74HB1J100J	CHIP-COM 10 J 1/16W		R257,258			RK73HB1J101J	CHIP R 100 J 1/16W	
CP714,715			RK74HB1J220J	CHIP-COM 22 J 1/16W		R259			RK73HB1J103J	CHIP R 10K J 1/16W	
CP721-724			RK74HB1J330J	CHIP-COM 33 J 1/16W		R265			RK73GH2A102D	CHIP R 1.0K D 1/10W	
CP751,752			RK74HB1J103J	CHIP-COM 10K J 1/16W		R266			RK73EB2E750J	CHIP R 75 J 1/4W	
CP753,754			RK74HB1J220J	CHIP-COM 22 J 1/16W		R270			RK73GB2A750J	CHIP R 75 J 1/10W	
R6			RK73GB2A823J	CHIP R 82K J 1/10W		R271			RK73EB2E101J	CHIP R 100 J 1/4W	
R7			RK73GB2A103J	CHIP R 10K J 1/10W		R272			RK73HB1J100J	CHIP R 10 J 1/16W	
R8			RK73GB2A224J	CHIP R 220K J 1/10W		R283			RK73HB1J103J	CHIP R 10K J 1/16W	E1E2
R9			RK73GB2A333J	CHIP R 33K J 1/10W		R283			RK73HB1J103J	CHIP R 10K J 1/16W	K1K2K3
R10			RK73GB2A224J	CHIP R 220K J 1/10W		R284			RK73HB1J000J	CHIP R 0.0 J 1/16W	KM1M2
R101			RK73GH2A681D	CHIP R 680 D 1/10W		R284			RK73HB1J000J	CHIP R 0.0 J 1/16W	R2Q1Q2
R102			RK73GH2A221D	CHIP R 220 D 1/10W		R284-289			RK73HB1J102J	CHIP R 1.0K J 1/16W	X1ER1
R103,104			RK73GH2A561D	CHIP R 560 D 1/10W		R284-289			RK73HB1J102J	CHIP R 1.0K J 1/16W	E1E2
R105-108			RK73GB2A683J	CHIP R 68K J 1/10W							K1K2K3
R109			RK73GB2A103J	CHIP R 10K J 1/10W		R286			RK73HB1J000J	CHIP R 0.0 J 1/16W	KM1M2
R110			RK73GH2A562D	CHIP R 5.6K D 1/10W		R286			RK73HB1J000J	CHIP R 0.0 J 1/16W	R2Q1Q2
R111			RK73GB2A103J	CHIP R 10K J 1/10W		R286			RK73HB1J000J	CHIP R 0.0 J 1/16W	X1ER1
R112			RK73GH2A472D	CHIP R 4.7K D 1/10W		R288			RK73HB1J000J	CHIP R 0.0 J 1/16W	KM1M2
R113			RK73GH2A562D	CHIP R 5.6K D 1/10W		R288			RK73HB1J000J	CHIP R 0.0 J 1/16W	R2Q1Q2
R114			RK73GH2A103D	CHIP R 10K D 1/10W		R288			RK73HB1J000J	CHIP R 0.0 J 1/16W	X1ER1
R119-122			RK73GH2A333D	CHIP R 33K D 1/10W		R304,305			RK73HB1J101J	CHIP R 100 J 1/16W	KM1M2
R135,136			RK73GB2A220J	CHIP R 22 J 1/10W		R304,305			RK73HB1J101J	CHIP R 100 J 1/16W	K1E1K2
R139			RK73GB2A220J	CHIP R 22 J 1/10W		R304,305			RK73HB1J101J	CHIP R 100 J 1/16W	K3
R142			RK73GB2A220J	CHIP R 22 J 1/10W		R304,305			RK73HB1J101J	CHIP R 100 J 1/16W	R2Q1Q2
R143-152			RK73EB2E100J	CHIP R 10 J 1/4W		R304,305			RK73HB1J101J	CHIP R 100 J 1/16W	X1ER1
R153-156			R92-5158-05	CHIP R 0.022 J 1/4W		R310			RK73HB1J472J	CHIP R 4.7K J 1/16W	KM1M2
R158			R92-5159-05	CHIP R 0.033 J 1/4W		R310			RK73HB1J472J	CHIP R 4.7K J 1/16W	K1E1K2
R159			R92-5158-05	CHIP R 0.022 J 1/4W		R310			RK73HB1J472J	CHIP R 4.7K J 1/16W	K3
						R310			RK73HB1J472J	CHIP R 4.7K J 1/16W	R2Q1Q2

E: DDX5024 E1: DNX5240 E2: DNX5240BT (Europe) Q1: DDX5054 Q2: DDX54R (Russian)
 K: DDX514 K1: DNX5140 K2: DNX6140 K3: DNX6000EX (North America)
 X1: DDX5034 (Australia) R1: DDX5034 R2: DDX5034BT (Latin America)
 M1: DDX5034 M2: DDX5034M (Other Areas)

△ Indicates safety critical components.

PARTS LIST

VIDEO CONTROL UNIT (X15-124x-xx)

Ref. No.	A	N	Parts No.	Description	Desti- nation	Ref. No.	A	N	Parts No.	Description	Desti- nation
	d	e						e			
R310			RK73HB1J472J	CHIP R 4.7K J 1/16W	X1ER1	R509			RK73HB1J473J	CHIP R 47K J 1/16W	R2K2E2
R311-314			RK73HB1J103J	CHIP R 10K J 1/16W	KM1M2	R512,513			RK73EB2E101J	CHIP R 100 J 1/4W	K3
R311-314			RK73HB1J103J	CHIP R 10K J 1/16W	K1E1K2	R512,513			RK73EB2E101J	CHIP R 100 J 1/4W	R2K2E2
R311-314			RK73HB1J103J	CHIP R 10K J 1/16W	K3	R603			RK73GH2A471D	CHIP R 470 D 1/10W	
R311-314			RK73HB1J103J	CHIP R 10K J 1/16W	R2Q1Q2	R604-606			RK73GH2A102D	CHIP R 1.0K D 1/10W	
R311-314			RK73HB1J103J	CHIP R 10K J 1/16W	X1ER1	R613			RK73GH2A331D	CHIP R 330 D 1/10W	
R403			RK73EB2E102J	CHIP R 1.0K J 1/4W	E1E2	R614			RK73GH2A150D	CHIP R 15 D 1/10W	
R403			RK73EB2E102J	CHIP R 1.0K J 1/4W	K1K2K3	R620-625			RK73GH2A750D	CHIP R 75 D 1/10W	
R403-405			RK73EB2E102J	CHIP R 1.0K J 1/4W	KM1M2	R626			RK73GH2A240D	CHIP R 24 D 1/10W	
R403-405			RK73EB2E102J	CHIP R 1.0K J 1/4W	R2Q1Q2	R627			RK73GH2A151D	CHIP R 150 D 1/10W	
R403-405			RK73EB2E102J	CHIP R 1.0K J 1/4W	X1ER1	R629			RK73GH2A750D	CHIP R 75 D 1/10W	
R404			RK73EB2E101J	CHIP R 100 J 1/4W	E1E2	R651-654			RK73HB1J220J	CHIP R 22 J 1/16W	
R404			RK73EB2E101J	CHIP R 100 J 1/4W	K1K2K3	R655			RK73GH2A333D	CHIP R 33K D 1/10W	
R405			RK73EB2E102J	CHIP R 1.0K J 1/4W	E1E2	R656			RK73GH2A393D	CHIP R 39K D 1/10W	
R405			RK73EB2E102J	CHIP R 1.0K J 1/4W	K1K2K3	R657			RK73GH2A562D	CHIP R 5.6K D 1/10W	
R406			RK73HB1J101J	CHIP R 100 J 1/16W		R658-660			RK73GB2A2R2J	CHIP R 2.2 J 1/10W	
R412-415			RK73GB2A750J	CHIP R 75 J 1/10W	KM1M2	R661,662			RK73HB1J103J	CHIP R 10K J 1/16W	
R412-415			RK73GB2A750J	CHIP R 75 J 1/10W	R2Q1Q2	R663,664			RK73HB1J102J	CHIP R 1.0K J 1/16W	
R412-415			RK73GB2A750J	CHIP R 75 J 1/10W	X1ER1	R665,666			RK73HB1J752J	CHIP R 7.5K J 1/16W	
R416			RK73EB2E101J	CHIP R 100 J 1/4W	KM1M2	R667,668			RK73HB1J471J	CHIP R 470 J 1/16W	
R416			RK73EB2E101J	CHIP R 100 J 1/4W	R2Q1Q2	R669-672			RK73HB1J473J	CHIP R 47K J 1/16W	
R416			RK73EB2E101J	CHIP R 100 J 1/4W	X1ER1	R673,674			RK73HB1J103J	CHIP R 10K J 1/16W	
R417			RK73HB1J100J	CHIP R 10 J 1/16W	KM1M2	R675			RK73HB1J272J	CHIP R 2.7K J 1/16W	
R417			RK73HB1J100J	CHIP R 10 J 1/16W	R2Q1Q2	R681			RK73HB1J103J	CHIP R 10K J 1/16W	
R417			RK73HB1J100J	CHIP R 10 J 1/16W	X1ER1	R683-686			RK73HB1J220J	CHIP R 22 J 1/16W	
R418			RK73EB2E101J	CHIP R 100 J 1/4W	KM1M2	R687			RK73HB1J103J	CHIP R 10K J 1/16W	
R418			RK73EB2E101J	CHIP R 100 J 1/4W	R2Q1Q2	R688			RK73HB1J220J	CHIP R 22 J 1/16W	
R418			RK73EB2E101J	CHIP R 100 J 1/4W	X1ER1	R696			RK73HB1J220J	CHIP R 22 J 1/16W	
R419			RK73HB1J100J	CHIP R 10 J 1/16W	KM1M2	R697			RK73FB2B151J	CHIP R 150 J 1/8W	
R419			RK73HB1J100J	CHIP R 10 J 1/16W	R2Q1Q2	R698			RK73GB2A151J	CHIP R 150 J 1/10W	
R419			RK73HB1J100J	CHIP R 10 J 1/16W	X1ER1	R703			RK73HB1J102J	CHIP R 1.0K J 1/16W	
R420			RK73EB2E101J	CHIP R 100 J 1/4W	KM1M2	R704			RK73HB1J101J	CHIP R 100 J 1/16W	
R420			RK73EB2E101J	CHIP R 100 J 1/4W	R2Q1Q2	R709-712			RK73HB1J220J	CHIP R 22 J 1/16W	
R420			RK73EB2E101J	CHIP R 100 J 1/4W	X1ER1	R713			RK73HB1J100J	CHIP R 10 J 1/16W	
R421			RK73HB1J100J	CHIP R 10 J 1/16W	KM1M2	R732-738			RK73HB1J220J	CHIP R 22 J 1/16W	
R421			RK73HB1J100J	CHIP R 10 J 1/16W	R2Q1Q2	R739,740			RK73HB1J101J	CHIP R 100 J 1/16W	
R421			RK73HB1J100J	CHIP R 10 J 1/16W	X1ER1	R742-746			RK73HB1J101J	CHIP R 100 J 1/16W	
R422			RK73EB2E101J	CHIP R 100 J 1/4W	KM1M2	R748-753			RK73HB1J220J	CHIP R 22 J 1/16W	
R422			RK73EB2E101J	CHIP R 100 J 1/4W	R2Q1Q2	R754-756			RK73HB1J101J	CHIP R 100 J 1/16W	
R422			RK73EB2E101J	CHIP R 100 J 1/4W	X1ER1	R758			RK73HB1J105J	CHIP R 1.0M J 1/16W	
R423			RK73HB1J100J	CHIP R 10 J 1/16W	KM1M2	R759			RK73GB2A102J	CHIP R 1.0K J 1/10W	
R423			RK73HB1J100J	CHIP R 10 J 1/16W	R2Q1Q2	R761			RK73HB1J000J	CHIP R 0.0 J 1/16W	
R423			RK73HB1J100J	CHIP R 10 J 1/16W	X1ER1	R763,764			RK73HB1J100J	CHIP R 10 J 1/16W	
R424			RK73EB2E100J	CHIP R 10 J 1/4W		R769			RK73GH2A153D	CHIP R 15K D 1/10W	
R425			RK73EB2E4R7J	CHIP R 4.7 J 1/4W		R770			RK73GH2A123D	CHIP R 12K D 1/10W	
R428			RK73EB2E100J	CHIP R 10 J 1/4W		R772			RK73HB1J103J	CHIP R 10K J 1/16W	
R501,502			RK73HB1J104J	CHIP R 100K J 1/16W	K3	R774			RK73HB1J103J	CHIP R 10K J 1/16W	
R501,502			RK73HB1J104J	CHIP R 100K J 1/16W	R2K2E2	R776			RK73HB1J103J	CHIP R 10K J 1/16W	
R503,504			RK73HB1J223J	CHIP R 22K J 1/16W	K3	R777			RK73HB1J102J	CHIP R 1.0K J 1/16W	
R503,504			RK73HB1J223J	CHIP R 22K J 1/16W	R2K2E2	R795-797			RK73HB1J103J	CHIP R 10K J 1/16W	
R505,506			RK73HB1J104J	CHIP R 100K J 1/16W	K3	R805,806			RK73EB2E4R7J	CHIP R 4.7 J 1/4W	
R505,506			RK73HB1J104J	CHIP R 100K J 1/16W	R2K2E2	R808,809			RK73EB2E4R7J	CHIP R 4.7 J 1/4W	E1E2
R507,508			RK73HB1J223J	CHIP R 22K J 1/16W	K3	R808,809			RK73EB2E4R7J	CHIP R 4.7 J 1/4W	K1K2K3
R507,508			RK73HB1J223J	CHIP R 22K J 1/16W	R2K2E2	R812			RK73HB1J103J	CHIP R 10K J 1/16W	
R509			RK73HB1J473J	CHIP R 47K J 1/16W	K3	R814			RK73HB1J103J	CHIP R 10K J 1/16W	

E: DDX5024 E1: DNX5240 E2: DNX5240BT (Europe) Q1: DDX5054 Q2: DDX54R (Russian)

K: DDX514 K1: DNX5140 K2: DNX6140 K3: DNX6000EX (North America)

X1: DDX5034 (Australia) R1: DDX5034 R2: DDX5034BT (Latin America)

M1: DDX5034 M2: DDX5034M (Other Areas)

△ Indicates safety critical components.

PARTS LIST

VIDEO CONTROL UNIT (X15-124x-xx)

Ref. No.	Add	New	Parts No.	Description	Destination	Ref. No.	Add	New	Parts No.	Description	Destination
R815			RK73GH2A622D	CHIP R 6.2K D 1/10W		D501			STZ6.8N	ZENER DIODE	R2K2E2
R821			RK73GH2A622D	CHIP R 6.2K D 1/10W		D681			AVRM16270MAAB	VARIATOR	
R823			RK73HB1J103J	CHIP R 10K J 1/16W		D801,802			AVRL1613R3FTA	VARIATOR	
R825			RK73HB1J102J	CHIP R 1.0K J 1/16W		IC100,101			LTC3728LEGN	ANALOGUE IC	
R826			RK73HB1J103J	CHIP R 10K J 1/16W		IC201			NJM2794RB2ZB	ANALOGUE IC	
R846			RK73HB1J000J	CHIP R 0.0 J 1/16W		IC202			NJM2505AF-ZB	ANALOGUE IC	
R849			RK73GB2A332J	CHIP R 3.3K J 1/10W		IC203			XC6201P502PR	ANALOGUE IC	
R851			RK73HB1J473J	CHIP R 47K J 1/16W		IC205			AN15885A-VF	ANALOGUE IC	
R853-856			RK73HB1J103J	CHIP R 10K J 1/16W		IC206			MM1508XNRE-E	ANALOGUE IC	
R857-860			RK73HB1J152J	CHIP R 1.5K J 1/16W		IC207			NJM2286V-ZB	ANALOGUE IC	
R861			RK73HB1J472J	CHIP R 4.7K J 1/16W	KM1M2	IC301			74AHCT08PW	MOS-IC	KM1M2
R861			RK73HB1J472J	CHIP R 4.7K J 1/16W	K1E1K2	IC301			74AHCT08PW	MOS-IC	K1E1K2
R861			RK73HB1J472J	CHIP R 4.7K J 1/16W	K3	IC301			74AHCT08PW	MOS-IC	K3
R861			RK73HB1J472J	CHIP R 4.7K J 1/16W	R2Q1Q2	IC301			74AHCT08PW	MOS-IC	R2Q1Q2
R861			RK73HB1J472J	CHIP R 4.7K J 1/16W	X1ER1	IC301			74AHCT08PW	MOS-IC	X1ER1
R861,862			RK73HB1J472J	CHIP R 4.7K J 1/16W	E2	IC501			NJM4565V-ZB	ANALOGUE IC	K3
R863-880			RK73HB1J103J	CHIP R 10K J 1/16W		IC501			NJM4565V-ZB	ANALOGUE IC	R2K2E2
R881			RK73HB1J202J	CHIP R 2.0K J 1/16W		IC502			TC7WH126FU-F	MOS-IC	K3
R883			RK73HB1J103J	CHIP R 10K J 1/16W		IC502			TC7WH126FU-F	MOS-IC	R2K2E2
R886			RK73HB1J473J	CHIP R 47K J 1/16W		IC601			MM1671XNRE	ANALOGUE IC	
R887			RK73HB1J103J	CHIP R 10K J 1/16W		IC602			NJM2573V-ZB	ANALOGUE IC	
R890			RK73FB2B000J	CHIP R 0.0 J 1/8W		IC651			PCM1754DB	MOS-IC	
R892			RK73GB2A103J	CHIP R 10K J 1/10W		IC652			NJM4565V-ZB	ANALOGUE IC	
R893			RK73HB1J102J	CHIP R 1.0K J 1/16W		IC654			NJM4565V-ZB	ANALOGUE IC	
R895,896			RK73HB1J000J	CHIP R 0.0 J 1/16W		IC701			MS8312A-CMG	MICROPROCESSOR IC	
R898			RK73HB1J103J	CHIP R 10K J 1/16W		IC702		*	S29GL64A9I6B5	ROM IC	
R899			RK73HB1J331J	CHIP R 330 J 1/16W		IC703,704		*	A3V28S40ETPG6	DRAM IC	
R900			RK73HB1J220J	CHIP R 22 J 1/16W		IC705			SI-3010KD	ANALOGUE IC	
R905,906			RK73HB1J220J	CHIP R 22 J 1/16W		IC801			S1R72C05F15	MOS-IC	
R913,914			RK73HB1J105J	CHIP R 1.0M J 1/16W		IC804			MIC2005-08YM6	MOS-IC	
L503			T90-0587-05	CHIP ANTENNA	K3	IC805			XC6219B332PR	ANALOGUE IC	
L503			T90-0587-05	CHIP ANTENNA	R2K2E2	IC806			XC6219B182PR	ANALOGUE IC	
D100-103			1SS357-F	DIODE		IC852			MFI341S2162	MICROPROCESSOR IC	
D201			DAP202U	DIODE		IC853			74AHC573PW	MOS-IC	
D202			UDZW4.7(B)	ZENER DIODE		Q1		*	KRC406-P	DIGITAL TRANSISTOR	
D203			AVRM16270MAAB	VARIATOR		Q2 ,3			2SA1576A	TRANSISTOR	
D204-206			AVRM16120M6AB	VARIATOR		Q4			TPC8110-F	FET	
D207			AVRM16270MAAB	VARIATOR		Q100-103		*	KRC408-P	DIGITAL TRANSISTOR	
D212,213			AVRM16270MAAB	VARIATOR		Q104-107			HAT2218R-E	DUAL FET	
D301			1SS355	DIODE	KM1M2	Q301,302			2SC4081	TRANSISTOR	KM1M2
D301			1SS355	DIODE	K1E1K2	Q301,302			2SC4081	TRANSISTOR	K1E1K2
D301			1SS355	DIODE	K3	Q301,302			2SC4081	TRANSISTOR	K3
D301			1SS355	DIODE	R2Q1Q2	Q301,302			2SC4081	TRANSISTOR	R2Q1Q2
D301			1SS355	DIODE	X1ER1	Q301,302			2SC4081	TRANSISTOR	X1ER1
D400-403			UDZW6.2(B)	ZENER DIODE	KM1M2	Q303			UMG2N	TRANSISTOR	KM1M2
D400-403			UDZW6.2(B)	ZENER DIODE	R2Q1Q2	Q303			UMG2N	TRANSISTOR	K1E1K2
D400-403			UDZW6.2(B)	ZENER DIODE	X1ER1	Q303			UMG2N	TRANSISTOR	K3
D404			STZ6.8N	ZENER DIODE	KM1M2	Q303			UMG2N	TRANSISTOR	R2Q1Q2
D404			STZ6.8N	ZENER DIODE	R2Q1Q2	Q303			UMG2N	TRANSISTOR	X1ER1
D404			STZ6.8N	ZENER DIODE	X1ER1	Q651			UMG2N	TRANSISTOR	
D405-408			AVRM16270MAAB	VARIATOR	KM1M2	Q652			2SC4081	TRANSISTOR	
D405-408			AVRM16270MAAB	VARIATOR	R2Q1Q2	Q653			2SA1576A	TRANSISTOR	
D405-408			AVRM16270MAAB	VARIATOR	X1ER1	Q681			2SA1576A	TRANSISTOR	
D501			STZ6.8N	ZENER DIODE	K3	Q682			2SC4081	TRANSISTOR	

E: DDX5024 E1: DNX5240 E2: DNX5240BT (Europe) Q1: DDX5054 Q2: DDX54R (Russian)
 K: DDX514 K1: DNX5140 K2: DNX6140 K3: DNX6000EX (North America)
 X1: DDX5034 (Australia) R1: DDX5034 R2: DDX5034BT (Latin America)
 M1: DDX5034 M2: DDX5034M (Other Areas)

△ Indicates safety critical components.

PARTS LIST

VIDEO CONTROL UNIT (X15-124x-xx)

Ref. No.	Add	New	Parts No.	Description	Destination
A501			W02-5292-25	ELECTRIC CIRCUIT MODULE (BT)	K3
A501			W02-5292-25	ELECTRIC CIRCUIT MODULE (BT)	R2K2E2
ELECTRIC UNIT (X34-575x-xx)					
C1			CK73FB1E474K	CHIP C 0.47UF K	
C2			CK73GB1H222K	CHIP C 2200PF K	
C4			C90-6851-05	ELECTRO 220UF 25WV	
C6			CK73GB1H222K	CHIP C 2200PF K	
C8			CK73GB1H103K	CHIP C 0.010UF K	
C9 ,10			CK73GB1H222K	CHIP C 2200PF K	
C14			CK73FB1A335K	CHIP C 3.3UF K	
C15			CK73GB1A105K	CHIP C 1.0UF K	
C16			CK73GB1H103K	CHIP C 0.010UF K	
C17			CK73GB1A105K	CHIP C 1.0UF K	
C18 ,19			CK73GB1H222K	CHIP C 2200PF K	
C20			CK73GB1H103K	CHIP C 0.010UF K	E1E2
C20			CK73GB1H103K	CHIP C 0.010UF K	K1K2K3
C21			CK73FB0J106K	CHIP C 10UF K	
C24 ,25			CK73GB1H222K	CHIP C 2200PF K	
C26			CK73GB1H104K	CHIP C 0.10UF K	
C29			CD04AV0J101M	ELECTRO 100UF 6.3WV	
C30			CK73FB1C105K	CHIP C 1.0UF K	
C31			CK73GB1A105K	CHIP C 1.0UF K	
C32			CK73GB1H103K	CHIP C 0.010UF K	
C33			CK73GB1A105K	CHIP C 1.0UF K	
C34	*		CD04BN1C221M	ELECTRO 220UF 16WV	
C35			CK73GB1A105K	CHIP C 1.0UF K	
C36			CC73GCH1H101J	CHIP C 100PF J	EQ1Q2
C36			CC73GCH1H101J	CHIP C 100PF J	E1E2
C37			CK73GB1H103K	CHIP C 0.010UF K	
C38			C93-1470-05	CHIP C 15000PF K	EQ1Q2
C38			C93-1470-05	CHIP C 15000PF K	E2
C38			C93-1470-05	CHIP C 15000PF K	M1M2E1
C41			CK73GB1A105K	CHIP C 1.0UF K	
C43 -45			CK73GB1H103K	CHIP C 0.010UF K	
C46			CK73FB1E474K	CHIP C 0.47UF K	
C47			C90-5612-05	ELECTRO 3900UF 16WV	
C51 -54			CC73GCH1H101J	CHIP C 100PF J	
C100			CK73GB1H104K	CHIP C 0.10UF K	
C101			CK73GB1H103K	CHIP C 0.010UF K	
C102			CK73GB1H104K	CHIP C 0.10UF K	
C104			CK73GB1H104K	CHIP C 0.10UF K	
C106			CK73GB1H103K	CHIP C 0.010UF K	
C108			CC73GCH1H220J	CHIP C 22PF J	
C109			CC73GCH1H180J	CHIP C 18PF J	
C110			CK73FB0J106K	CHIP C 10UF K	
C111			CK73GB1H473K	CHIP C 0.047UF K	
C112			CK73GB1H102K	CHIP C 1000PF K	
C113			CK73GB1H103K	CHIP C 0.010UF K	
C114			CD04AV0J101M	ELECTRO 100UF 6.3WV	
C115,116			CK73GB1H103K	CHIP C 0.010UF K	
C117			CK73GB1H104K	CHIP C 0.10UF K	
C119			CK73GB1H104K	CHIP C 0.10UF K	
C120			CK73GB1H102K	CHIP C 1000PF K	
C121			CK73GB1H104K	CHIP C 0.10UF K	

Ref. No.	Add	New	Parts No.	Description	Destination
C122,123			CK73GB1H103K	CHIP C 0.010UF K	
C124			CK73GB1H104K	CHIP C 0.10UF K	
C125			CK73GB1H102K	CHIP C 1000PF K	
C126-129			CK73GB1H104K	CHIP C 0.10UF K	
C132,133			CC73GCH1H070D	CHIP C 7.0PF D	
C302			CD04AV1C470M	ELECTRO 47UF 16WV	
C303,304			CK73GB1A474K	CHIP C 0.47UF K	
C305,306			CE32BJ1H2R2M	CHIP EL 2.2UF 50WV	
C307,308			CK73GB1A474K	CHIP C 0.47UF K	
C315			CK73GB1H103K	CHIP C 0.010UF K	R2K2K3
C316			CK73GB1A105K	CHIP C 1.0UF K	
C318			CE32BJ1C100M	CHIP EL 10UF 16WV	
C321			CK73GB1H103K	CHIP C 0.010UF K	
C322			CE32BJ1C100M	CHIP EL 10UF 16WV	
C323,324			CK73GB1H103K	CHIP C 0.010UF K	
C325			CK73FB1A335K	CHIP C 3.3UF K	
C326			CK73GB1A105K	CHIP C 1.0UF K	
C327			CK73FB1A335K	CHIP C 3.3UF K	
C328,329			CK73GB1A105K	CHIP C 1.0UF K	
C330-332			CE32BJ1H010M	CHIP EL 1.0UF 50WV	
C334			CK73FB1E474K	CHIP C 0.47UF K	
C335			CE32BJ0J470M	CHIP EL 47UF 6.3WV	
C336			CK73FB1E474K	CHIP C 0.47UF K	
C400	*		CD04AV1C220M	ELECTRO 22UF 16WV	EQ1Q2
C400	*		CD04AV1C220M	ELECTRO 22UF 16WV	E1E2
C400	*		CD04AV1C220M	ELECTRO 22UF 16WV	M1M2X1
C401			CK73GB1H103K	CHIP C 0.010UF K	EQ1Q2
C401			CK73GB1H103K	CHIP C 0.010UF K	E1E2
C401			CK73GB1H103K	CHIP C 0.010UF K	M1M2X1
C402-405			CK73GB1A474K	CHIP C 0.47UF K	EQ1Q2
C402-405			CK73GB1A474K	CHIP C 0.47UF K	E1E2
C402-405			CK73GB1A474K	CHIP C 0.47UF K	M1M2X1
C417-420			CK73GB1A474K	CHIP C 0.47UF K	KM1M2
C417-420			CK73GB1A474K	CHIP C 0.47UF K	K1E1K2
C417-420			CK73GB1A474K	CHIP C 0.47UF K	K3
C417-420			CK73GB1A474K	CHIP C 0.47UF K	R2Q1Q2
C417-420			CK73GB1A474K	CHIP C 0.47UF K	X1ER1
C424			CK73GB1H104K	CHIP C 0.10UF K	KM1M2
C424			CK73GB1H104K	CHIP C 0.10UF K	K1E1K2
C424			CK73GB1H104K	CHIP C 0.10UF K	K3
C424			CK73GB1H104K	CHIP C 0.10UF K	R2Q1Q2
C424			CK73GB1H104K	CHIP C 0.10UF K	X1ER1
C425	*		CD04AV1C220M	ELECTRO 22UF 16WV	KM1M2
C425	*		CD04AV1C220M	ELECTRO 22UF 16WV	K1E1K2
C425	*		CD04AV1C220M	ELECTRO 22UF 16WV	K3
C425	*		CD04AV1C220M	ELECTRO 22UF 16WV	R2Q1Q2
C425	*		CD04AV1C220M	ELECTRO 22UF 16WV	X1ER1
C426,427			CK73GB1H103K	CHIP C 0.010UF K	KM1M2
C426,427			CK73GB1H103K	CHIP C 0.010UF K	K1E1K2
C426,427			CK73GB1H103K	CHIP C 0.010UF K	K3
C426,427			CK73GB1H103K	CHIP C 0.010UF K	R2Q1Q2
C426,427			CK73GB1H103K	CHIP C 0.010UF K	X1ER1
C430			CK73GB1H103K	CHIP C 0.010UF K	EQ1Q2
C430			CK73GB1H103K	CHIP C 0.010UF K	E1E2
C430			CK73GB1H103K	CHIP C 0.010UF K	M1M2X1

E: DDX5024 E1: DNX5240 E2: DNX5240BT (Europe) Q1: DDX5054 Q2: DDX54R (Russian)

△Indicates safety critical components.

K: DDX514 K1: DNX5140 K2: DNX6140 K3: DNX6000EX (North America)

56 X1: DDX5034 (Australia) R1: DDX5034 R2: DDX5034BT (Latin America)

M1: DDX5034 M2: DDX5034M (Other Areas)

PARTS LIST

ELECTRIC UNIT (X34-575x-xx)

Ref. No.	Add	New	Parts No.	Description	Destination	Ref. No.	Add	New	Parts No.	Description	Destination
C500			CK73GB1A105K	CHIP C 1.0UF K		CN1			E41-2685-05	PIN ASSY	
C501			CC73GCH1H100D	CHIP C 10PF D	KR1E01	CN800			E41-2979-05	FLAT CABLE CONNECTOR	
C501			CC73GCH1H100D	CHIP C 10PF D	K3E1E2	CN801			E41-2980-05	FLAT CABLE CONNECTOR	
C501			CC73GCH1H100D	CHIP C 10PF D	Q2M1M2	J1			E58-1043-05	RECTANGULAR RECEPTACLE (POWER)	
C501			CC73GCH1H100D	CHIP C 10PF D	R2K1K2	J400			E58-1034-05	RECTANGULAR RECEPTACLE (TV-TU)	EQ1Q2
C502		*	CD04AV1C101M	ELECTRO 100UF 16WV		J400			E58-1034-05	RECTANGULAR RECEPTACLE (TV-TU)	E1E2
C512-514			CK73GB1H103K	CHIP C 0.010UF K		J400			E58-1034-05	RECTANGULAR RECEPTACLE (TV-TU)	M1M2X1
C515			CK73GB1H102K	CHIP C 1000PF K	E1E2	J401			E58-1097-05	RECTANGULAR RECEPTACLE (EXT-IF)	KM1M2
C520			CC73GCH1H100D	CHIP C 10PF D	KR1E01	J401			E58-1097-05	RECTANGULAR RECEPTACLE (EXT-IF)	K1E1K2
C520			CC73GCH1H100D	CHIP C 10PF D	K3E1E2	J401			E58-1097-05	RECTANGULAR RECEPTACLE (EXT-IF)	K3
C520			CC73GCH1H100D	CHIP C 10PF D	Q2M1M2	J401			E58-1097-05	RECTANGULAR RECEPTACLE (EXT-IF)	R2Q1Q2
C520			CC73GCH1H100D	CHIP C 10PF D	R2K1K2	J401			E58-1097-05	RECTANGULAR RECEPTACLE (EXT-IF)	X1ER1
C521			CK73GB1H103K	CHIP C 0.010UF K	KR1E01	J700			E63-0953-05	RCA PIN JACK (L/R)	
C521			CK73GB1H103K	CHIP C 0.010UF K	K3E1E2	W501			E30-6809-05	CORD WITH PLUG (ANT)	KM1M2
C521			CK73GB1H103K	CHIP C 0.010UF K	Q2M1M2	W501			E30-6809-05	CORD WITH PLUG (ANT)	K1K2K3
C521			CK73GB1H103K	CHIP C 0.010UF K	R2K1K2	W501			E30-6809-05	CORD WITH PLUG (ANT)	R2Q1Q2
C522			CD04AV1V100M	ELECTRO 10UF 35WV	KR1E01	W501			E30-6809-05	CORD WITH PLUG (ANT)	X1ER1
C522			CD04AV1V100M	ELECTRO 10UF 35WV	K3E1E2						
C522			CD04AV1V100M	ELECTRO 10UF 35WV	Q2M1M2						
C522			CD04AV1V100M	ELECTRO 10UF 35WV	R2K1K2						
C523			CC73GCH1H331J	CHIP C 330PF J	KR1E01	257			F12-0962-04	SHIELDING TUBE (IN F/E CASE)	E2
C523			CC73GCH1H331J	CHIP C 330PF J	K3E1E2	257			F12-0962-04	SHIELDING TUBE (IN F/E CASE)	KR1E01
C523			CC73GCH1H331J	CHIP C 330PF J	Q2M1M2	257			F12-0962-04	SHIELDING TUBE (IN F/E CASE)	Q2M1M2
C523			CC73GCH1H331J	CHIP C 330PF J	R2K1K2	257			F12-0962-04	SHIELDING TUBE (IN F/E CASE)	X1K1E1
C524			CD04AV1V100M	ELECTRO 10UF 35WV	KR1E01	F1			F53-0297-05	FUSE (UL,CSA) 1.6A	
C524			CD04AV1V100M	ELECTRO 10UF 35WV	K3E1E2	F2			F53-0306-05	FUSE (UL,CSA) 5A	KM1M2
C524			CD04AV1V100M	ELECTRO 10UF 35WV	Q2M1M2	F2			F53-0306-05	FUSE (UL,CSA) 5A	K1E1K2
C524			CD04AV1V100M	ELECTRO 10UF 35WV	R2K1K2	F2			F53-0306-05	FUSE (UL,CSA) 5A	K3
C526,527			CK73GB1H103K	CHIP C 0.010UF K	KR1E01	F2			F53-0306-05	FUSE (UL,CSA) 5A	R2Q1Q2
C526,527			CK73GB1H103K	CHIP C 0.010UF K	K3E1E2	F2			F53-0306-05	FUSE (UL,CSA) 5A	X1ER1
C526,527			CK73GB1H103K	CHIP C 0.010UF K	Q2M1M2	L1			L33-2319-05	CHOKO COIL ASSY	
C526,527			CK73GB1H103K	CHIP C 0.010UF K	R2K1K2	L100			L92-0319-05	CHIP FERRITE	
C527			CK73GB1H103K	CHIP C 0.010UF K	X1	L101			L41-4795-33	SMALL FIXED INDUCTOR (4.7U)	
C600			C90-6779-05	ELECTRO 0.47UF 16WV		L501-504			L41-4795-33	SMALL FIXED INDUCTOR (4.7U)	
C602			C90-6779-05	ELECTRO 0.47UF 16WV		L508			L41-4795-33	SMALL FIXED INDUCTOR (4.7U)	KR1E01
C616			CK73GB1A105K	CHIP C 1.0UF K		L508			L41-4795-33	SMALL FIXED INDUCTOR (4.7U)	K3E1E2
C619			CD04BM1E330M	ELECTRO 33UF 25WV		L508			L41-4795-33	SMALL FIXED INDUCTOR (4.7U)	Q2M1M2
C620,621			C90-6780-05	ELECTRO 1UF 16WV		L508			L41-4795-33	SMALL FIXED INDUCTOR (4.7U)	R2K1K2
C623,624			C90-6779-05	ELECTRO 0.47UF 16WV		L508			L41-4795-33	SMALL FIXED INDUCTOR (4.7U)	E1E2
C626			CK73GB1A105K	CHIP C 1.0UF K		L509			L92-0329-05	CHIP FERRITE	
C627			CC73GCH1H050C	CHIP C 5.0PF C		X100			L77-2974-05	CRYSTAL RESONATOR (11.0592MHZ)	
C700			CE32BJ1C100M	CHIP EL 10UF 16WV		X101			L77-2921-15	CRYSTAL RESONATOR (32.768KHZ)	
C701,702			CK73GB1H102K	CHIP C 1000PF K		X500			L77-2002-05	CRYSTAL RESONATOR	KR1E01
C703,704			CE32BJ1C100M	CHIP EL 10UF 16WV		X500			L77-2002-05	CRYSTAL RESONATOR	K3E1E2
C705,706			CK73GB1H102K	CHIP C 1000PF K		X500			L77-2002-05	CRYSTAL RESONATOR	Q2M1M2
C707			CE32BJ1C100M	CHIP EL 10UF 16WV		X500			L77-2002-05	CRYSTAL RESONATOR	R2K1K2
C711			CE32BJ1C100M	CHIP EL 10UF 16WV		X500			L77-2002-05	CRYSTAL RESONATOR	E1E2
C712,713			CK73GB1H102K	CHIP C 1000PF K		B	2D		N35-2604-43	BINDING HEAD MACHINE SCREW	KM1M2
C714			CE32BJ1C100M	CHIP EL 10UF 16WV		B	2D		N35-2604-43	BINDING HEAD MACHINE SCREW	K1E1K2
C715,716			CK73GB1H104K	CHIP C 0.10UF K		B	2D		N35-2604-43	BINDING HEAD MACHINE SCREW	K3
C800,801			CK73GB1H103K	CHIP C 0.010UF K		B	2D		N35-2604-43	BINDING HEAD MACHINE SCREW	R2Q1Q2
C807,808			CK73GB1H222K	CHIP C 2200PF K		B	2D		N35-2604-43	BINDING HEAD MACHINE SCREW	X1ER1
C809			CK73FB1C105K	CHIP C 1.0UF K		K	3D		N09-6727-05	TAPTITE SCREW	
C810		*	CD04AV1C101M	ELECTRO 100UF 16WV		L	2D		N82-3008-48	BINDING HEAD TAPTITE SCREW	
C811			CK73GB1H103K	CHIP C 0.010UF K		R2			RK73FB2B221J	CHIP R 220 J 1/8W	
						R3			RK73GB2A103J	CHIP R 10K J 1/10W	
						R5			RK73FB2B223J	CHIP R 22K J 1/8W	
						R6			RK73EB2E272J	CHIP R 2.7K J 1/4W	
						R7			RK73GB2A101J	CHIP R 100 J 1/10W	

E: DDX5024 E1: DNX5240 E2: DNX5240BT (Europe) Q1: DDX5054 Q2: DDX54R (Russian)
 K: DDX514 K1: DNX5140 K2: DNX6140 K3: DNX6000EX (North America)
 X1: DDX5034 (Australia) R1: DDX5034 R2: DDX5034BT (Latin America)
 M1: DDX5034 M2: DDX5034M (Other Areas)

△ Indicates safety critical components.

PARTS LIST

ELECTRIC UNIT (X34-575x-xx)

Ref. No.	A d d	N e w	Parts No.	Description	Desti- nation	Ref. No.	A d d	N e w	Parts No.	Description	Desti- nation
R8			RK73GB2A102J	CHIP R 1.0K J 1/10W		R101			RK73GB2A104J	CHIP R 100K J 1/10W	K1K2K3
R9			RK73GB2A101J	CHIP R 100 J 1/10W		R102			RK73GB2A473J	CHIP R 47K J 1/10W	
R10			RK73GB2A473J	CHIP R 47K J 1/10W		R106			RK73GB2A473J	CHIP R 47K J 1/10W	
R11			RK73GB2A100J	CHIP R 10 J 1/10W	E1E2	R107			RK73GB2A101J	CHIP R 100 J 1/10W	E1E2
R11			RK73GB2A100J	CHIP R 10 J 1/10W	K1K2K3	R107			RK73GB2A101J	CHIP R 100 J 1/10W	K1K2K3
R12			RK73FB2B472J	CHIP R 4.7K J 1/8W		R109			RK73GB2A473J	CHIP R 47K J 1/10W	EQ1Q2
R13			RK73GB2A223J	CHIP R 22K J 1/10W		R109			RK73GB2A473J	CHIP R 47K J 1/10W	E1E2
R14			RK73PB2H102J	CHIP R 1.0K J 1/2W		R109			RK73GB2A473J	CHIP R 47K J 1/10W	M1M2X1
R15			RK73GB2A473J	CHIP R 47K J 1/10W		R110			RK73GB2A104J	CHIP R 100K J 1/10W	E1E2
R16			RK73PB2H102J	CHIP R 1.0K J 1/2W		R110			RK73GB2A104J	CHIP R 100K J 1/10W	K1K2K3
R17			RK73GB2A103J	CHIP R 10K J 1/10W		R112			RK73GB2A472J	CHIP R 4.7K J 1/10W	
R18			RK73EB2E103J	CHIP R 10K J 1/4W		R113			RK73GB2A473J	CHIP R 47K J 1/10W	
R19			RK73GB2A000J	CHIP R 0.0 J 1/10W	EQ1Q2	R114			RK73GB2A101J	CHIP R 100 J 1/10W	EQ1Q2
R19			RK73GB2A000J	CHIP R 0.0 J 1/10W	E1E2	R114			RK73GB2A101J	CHIP R 100 J 1/10W	E1E2
R20			RK73GB2A100J	CHIP R 10 J 1/10W		R114			RK73GB2A101J	CHIP R 100 J 1/10W	M1M2X1
R21			RK73GB2A223J	CHIP R 22K J 1/10W		R118			RK73GB2A000J	CHIP R 0.0 J 1/10W	
R22			RK73EB2E272J	CHIP R 2.7K J 1/4W		R119			RK73GH2A333D	CHIP R 33K D 1/10W	
R23			RK73GH2A243D	CHIP R 24K D 1/10W		R120			RK73GH2A222D	CHIP R 2.2K D 1/10W	
R24			RK73GH2A432D	CHIP R 4.3K D 1/10W		R121			RK73GH2A153D	CHIP R 15K D 1/10W	
R25			RK73FB2B222J	CHIP R 2.2K J 1/8W		R122			RK73GB2A105J	CHIP R 1.0M J 1/10W	
R26			RK73GB2A102J	CHIP R 1.0K J 1/10W		R125			RK73GB2A473J	CHIP R 47K J 1/10W	EQ1Q2
R27			RK73GB2A103J	CHIP R 10K J 1/10W	KR1M1	R125			RK73GB2A473J	CHIP R 47K J 1/10W	E1E2
R27			RK73GB2A103J	CHIP R 10K J 1/10W	K1K2K3	R125			RK73GB2A473J	CHIP R 47K J 1/10W	M1M2X1
R27			RK73GB2A103J	CHIP R 10K J 1/10W	M2X1R2	R126,127			RK73GB2A103J	CHIP R 10K J 1/10W	
R28			RK73GB2A222J	CHIP R 2.2K J 1/10W	KR1M1	R128			RK73GB2A473J	CHIP R 47K J 1/10W	KR1R2
R28			RK73GB2A222J	CHIP R 2.2K J 1/10W	K1K2K3	R128			RK73GB2A473J	CHIP R 47K J 1/10W	K1K2K3
R28			RK73GB2A222J	CHIP R 2.2K J 1/10W	M2X1R2	R128-131			RK73GB2A473J	CHIP R 47K J 1/10W	EQ1Q2
R29			RK73GB2A105J	CHIP R 1.0M J 1/10W		R128-131			RK73GB2A473J	CHIP R 47K J 1/10W	E1E2
R30			RK73EB2E102J	CHIP R 1.0K J 1/4W		R128-131			RK73GB2A473J	CHIP R 47K J 1/10W	M1M2X1
R31			RK73FB2B472J	CHIP R 4.7K J 1/8W		R130,131			RK73GB2A473J	CHIP R 47K J 1/10W	KR1R2
R32			RK73GB2A104J	CHIP R 100K J 1/10W		R130,131			RK73GB2A473J	CHIP R 47K J 1/10W	K1K2K3
R33 ,34			RK73PB2H102J	CHIP R 1.0K J 1/2W	KR1M1	R133,134			RK73GB2A473J	CHIP R 47K J 1/10W	
R33 ,34			RK73PB2H102J	CHIP R 1.0K J 1/2W	K1K2K3	R135			RK73GB2A101J	CHIP R 100 J 1/10W	
R33 ,34			RK73PB2H102J	CHIP R 1.0K J 1/2W	M2X1R2	R136			RK73GB2A222J	CHIP R 2.2K J 1/10W	
R35			RK73GB2A103J	CHIP R 10K J 1/10W	KR1M1	R137-142			RK73GB2A101J	CHIP R 100 J 1/10W	EQ1Q2
R35			RK73GB2A103J	CHIP R 10K J 1/10W	K1K2K3	R137-142			RK73GB2A101J	CHIP R 100 J 1/10W	E1E2
R35			RK73GB2A103J	CHIP R 10K J 1/10W	M2X1R2	R137-142			RK73GB2A101J	CHIP R 100 J 1/10W	M1M2X1
R36			RK73GB2A153J	CHIP R 15K J 1/10W		R139-141			RK73GB2A101J	CHIP R 100 J 1/10W	KR1R2
R37			RK73GB2A103J	CHIP R 10K J 1/10W		R139-141			RK73GB2A101J	CHIP R 100 J 1/10W	K1K2K3
R38			RK73GB2A822J	CHIP R 8.2K J 1/10W		R143			RK73GB2A102J	CHIP R 1.0K J 1/10W	
R44			RK73GB2A683J	CHIP R 68K J 1/10W		R144			RK73GB2A472J	CHIP R 4.7K J 1/10W	
R46			RK73EB2E103J	CHIP R 10K J 1/4W		R145			RK73GB2A473J	CHIP R 47K J 1/10W	
R48			RK73GB2A473J	CHIP R 47K J 1/10W		R146,147			RK73GB2A101J	CHIP R 100 J 1/10W	
R49 ,50			RK73GB2A104J	CHIP R 100K J 1/10W		R148			RK73GB2A102J	CHIP R 1.0K J 1/10W	
R51			RK73GB2A473J	CHIP R 47K J 1/10W		R149			RK73GB2A101J	CHIP R 100 J 1/10W	
R52			RK73GB2A472J	CHIP R 4.7K J 1/10W		R150			RK73GB2A302J	CHIP R 3.0K J 1/10W	
R53			RK73GB2A473J	CHIP R 47K J 1/10W		R151			RK73GB2A623J	CHIP R 62K J 1/10W	
R54			RK73GB2A153J	CHIP R 15K J 1/10W		R152			RK73GB2A101J	CHIP R 100 J 1/10W	
R55			RK73GB2A561J	CHIP R 560 J 1/10W		R153			RK73GB2A222J	CHIP R 2.2K J 1/10W	
R56			RK73EB2E622J	CHIP R 6.2K J 1/4W		R154			RK73GB2A101J	CHIP R 100 J 1/10W	
R57			RK73GB2A912J	CHIP R 9.1K J 1/10W		R155			RK73GB2A000J	CHIP R 0.0 J 1/10W	
R58			RK73GB2A105J	CHIP R 1.0M J 1/10W		R156			RK73GB2A101J	CHIP R 100 J 1/10W	
R59			RK73EB2E622J	CHIP R 6.2K J 1/4W		R157			RK73GB2A473J	CHIP R 47K J 1/10W	KR1R2
R100			RK73GB2A101J	CHIP R 100 J 1/10W		R157			RK73GB2A473J	CHIP R 47K J 1/10W	K1K2K3
R101			RK73GB2A104J	CHIP R 100K J 1/10W	E1E2	R157-159			RK73GB2A473J	CHIP R 47K J 1/10W	EQ1Q2

E: DDX5024 E1: DNX5240 E2: DNX5240BT (Europe) Q1: DDX5054 Q2: DDX54R (Russian)

△Indicates safety critical components.

K: DDX514 K1: DNX5140 K2: DNX6140 K3: DNX6000EX (North America)

58 X1: DDX5034 (Australia) R1: DDX5034 R2: DDX5034BT (Latin America)

M1: DDX5034 M2: DDX5034M (Other Areas)

PARTS LIST

ELECTRIC UNIT (X34-575x-xx)

Ref. No.	Add	New	Parts No.	Description	Destination	Ref. No.	Add	New	Parts No.	Description	Destination
R157-159			RK73GB2A473J	CHIP R 47K J 1/10W	E1E2	R197			RK73GB2A332J	CHIP R 3.3K J 1/10W	E1E2
R157-159			RK73GB2A473J	CHIP R 47K J 1/10W	M1M2X1	R198			RK73GB2A102J	CHIP R 1.0K J 1/10W	
R159			RK73GB2A473J	CHIP R 47K J 1/10W	KR1R2	R200			RK73GB2A101J	CHIP R 100 J 1/10W	
R159			RK73GB2A473J	CHIP R 47K J 1/10W	K1K2K3	R202			RK73GB2A153J	CHIP R 15K J 1/10W	
R160			RK73GB2A101J	CHIP R 100 J 1/10W		R203			RK73GB2A101J	CHIP R 100 J 1/10W	
R161			RK73GB2A222J	CHIP R 2.2K J 1/10W		R208			RK73GB2A152J	CHIP R 1.5K J 1/10W	
R164			RK73GB2A471J	CHIP R 470 J 1/10W		R209-213			RK73GB2A101J	CHIP R 100 J 1/10W	
R165			RK73GB2A682J	CHIP R 6.8K J 1/10W		R215			RK73GB2A103J	CHIP R 10K J 1/10W	KR1EQ1
R166			RK73GB2A472J	CHIP R 4.7K J 1/10W		R215			RK73GB2A103J	CHIP R 10K J 1/10W	Q2M1M2
R168			RK73GB2A471J	CHIP R 470 J 1/10W		R215			RK73GB2A103J	CHIP R 10K J 1/10W	X1K1E1
R169			RK73GB2A104J	CHIP R 100K J 1/10W		R216			RK73GB2A103J	CHIP R 10K J 1/10W	K3
R170			RK73GB2A472J	CHIP R 4.7K J 1/10W		R216			RK73GB2A103J	CHIP R 10K J 1/10W	R2K2E2
R172			RK73GB2A101J	CHIP R 100 J 1/10W	KR1EQ1	R222			RK73GB2A104J	CHIP R 100K J 1/10W	
R172			RK73GB2A101J	CHIP R 100 J 1/10W	K3E1E2	R223			RK73GB2A101J	CHIP R 100 J 1/10W	
R172			RK73GB2A101J	CHIP R 100 J 1/10W	Q2M1M2	R224			RK73GB2A473J	CHIP R 47K J 1/10W	
R172			RK73GB2A101J	CHIP R 100 J 1/10W	R2K1K2	R225,226			RK73GB2A101J	CHIP R 100 J 1/10W	EQ1Q2
R173			RK73GB2A682J	CHIP R 6.8K J 1/10W		R225,226			RK73GB2A101J	CHIP R 100 J 1/10W	E1E2
R174,175			RK73GB2A473J	CHIP R 47K J 1/10W	KR1EQ1	R225,226			RK73GB2A101J	CHIP R 100 J 1/10W	M1M2X1
R174,175			RK73GB2A473J	CHIP R 47K J 1/10W	K3E1E2	R226			RK73GB2A101J	CHIP R 100 J 1/10W	KR1R2
R174,175			RK73GB2A473J	CHIP R 47K J 1/10W	Q2M1M2	R226			RK73GB2A101J	CHIP R 100 J 1/10W	K1K2K3
R174,175			RK73GB2A473J	CHIP R 47K J 1/10W	R2K1K2	R227			RK73GB2A104J	CHIP R 100K J 1/10W	EQ1Q2
R175			RK73GB2A473J	CHIP R 47K J 1/10W	X1	R227			RK73GB2A104J	CHIP R 100K J 1/10W	E1E2
R177			RK73GB2A473J	CHIP R 47K J 1/10W	KR1EQ1	R227			RK73GB2A104J	CHIP R 100K J 1/10W	M1M2X1
R177			RK73GB2A473J	CHIP R 47K J 1/10W	K3E1E2	R228-233			RK73GB2A101J	CHIP R 100 J 1/10W	
R177			RK73GB2A473J	CHIP R 47K J 1/10W	Q2M1M2	R234,235			RK73GB2A102J	CHIP R 1.0K J 1/10W	
R177			RK73GB2A473J	CHIP R 47K J 1/10W	R2K1K2	R236			RK73GB2A104J	CHIP R 100K J 1/10W	
R180			RK73GB2A103J	CHIP R 10K J 1/10W		R237			RK73GB2A473J	CHIP R 47K J 1/10W	
R181			RK73GB2A104J	CHIP R 100K J 1/10W		R238-253			RK73GB2A101J	CHIP R 100 J 1/10W	
R182			RK73GB2A103J	CHIP R 10K J 1/10W	E1E2	R254			RK73GB2A473J	CHIP R 47K J 1/10W	
R182			RK73GB2A103J	CHIP R 10K J 1/10W	K1K2K3	R255-258			RK73GB2A104J	CHIP R 100K J 1/10W	
R183			RK73GB2A473J	CHIP R 47K J 1/10W		R259			RK73GB2A153J	CHIP R 15K J 1/10W	
R184			RK73GB2A103J	CHIP R 10K J 1/10W	KM1M2	R260,261			RK73GB2A104J	CHIP R 100K J 1/10W	
R184			RK73GB2A103J	CHIP R 10K J 1/10W	R2Q1Q2	R263			RK73GB2A103J	CHIP R 10K J 1/10W	
R184			RK73GB2A103J	CHIP R 10K J 1/10W	X1ER1	R302			RK73EB2E2R2J	CHIP R 2.2 J 1/4W	
R185			RK73GB2A222J	CHIP R 2.2K J 1/10W		R303-306			RK73GB2A000J	CHIP R 0.0 J 1/10W	
R186			RK73GB2A223J	CHIP R 22K J 1/10W		R307-310			RK73GB2A101J	CHIP R 100 J 1/10W	
R187			RK73GB2A473J	CHIP R 47K J 1/10W		R311,312			RK73GB2A103J	CHIP R 10K J 1/10W	
R188			RK73GB2A222J	CHIP R 2.2K J 1/10W	KR1EQ1	R317			RK73GB2A102J	CHIP R 1.0K J 1/10W	
R188			RK73GB2A222J	CHIP R 2.2K J 1/10W	K3E1E2	R318			RK73GB2A104J	CHIP R 100K J 1/10W	
R188			RK73GB2A222J	CHIP R 2.2K J 1/10W	Q2M1M2	R319,320			RK73GB2A102J	CHIP R 1.0K J 1/10W	
R188			RK73GB2A222J	CHIP R 2.2K J 1/10W	R2K1K2	R321,322			RK73GB2A103J	CHIP R 10K J 1/10W	
R189			RK73GB2A103J	CHIP R 10K J 1/10W	X1	R323,324			RK73GB2A101J	CHIP R 100 J 1/10W	
R190			RK73GB2A222J	CHIP R 2.2K J 1/10W		R325-327			RK73GB2A103J	CHIP R 10K J 1/10W	E2
R191,192			RK73GB2A102J	CHIP R 1.0K J 1/10W		R325-327			RK73GB2A103J	CHIP R 10K J 1/10W	KR1EQ1
R193			RK73GB2A101J	CHIP R 100 J 1/10W		R325-327			RK73GB2A103J	CHIP R 10K J 1/10W	Q2M1M2
R194			RK73GB2A102J	CHIP R 1.0K J 1/10W		R325-327			RK73GB2A103J	CHIP R 10K J 1/10W	X1K1E1
R195			RK73GB2A153J	CHIP R 15K J 1/10W		R325-329			RK73GB2A103J	CHIP R 10K J 1/10W	R2K2K3
R196			RK73GB2A103J	CHIP R 10K J 1/10W	E1E2	R329			RK73GB2A103J	CHIP R 10K J 1/10W	E2
R196			RK73GB2A103J	CHIP R 10K J 1/10W	Q2X1R2	R329			RK73GB2A103J	CHIP R 10K J 1/10W	KR1EQ1
R196			RK73GB2A103J	CHIP R 10K J 1/10W	R1EQ1	R329			RK73GB2A103J	CHIP R 10K J 1/10W	Q2M1M2
R196,197			RK73GB2A103J	CHIP R 10K J 1/10W	M1M2	R329			RK73GB2A103J	CHIP R 10K J 1/10W	X1K1E1
R197			RK73GB2A103J	CHIP R 10K J 1/10W	KK1K2	R400,401			RK73GB2A100J	CHIP R 10 J 1/10W	EQ1Q2
R197			RK73GB2A103J	CHIP R 10K J 1/10W	K3	R400,401			RK73GB2A100J	CHIP R 10 J 1/10W	E1E2
R197			RK73GB2A303J	CHIP R 30K J 1/10W	X1	R400,401			RK73GB2A100J	CHIP R 10 J 1/10W	M1M2X1
R197			RK73GB2A332J	CHIP R 3.3K J 1/10W	EQ1Q2	R402			RK73GB2A222J	CHIP R 2.2K J 1/10W	EQ1Q2

E: DDX5024 E1: DNX5240 E2: DNX5240BT (Europe) Q1: DDX5054 Q2: DDX54R (Russian)
 K: DDX514 K1: DNX5140 K2: DNX6140 K3: DNX6000EX (North America)
 X1: DDX5034 (Australia) R1: DDX5034 R2: DDX5034BT (Latin America)
 M1: DDX5034 M2: DDX5034M (Other Areas)

△ Indicates safety critical components.

PARTS LIST

ELECTRIC UNIT (X34-575x-xx)

Ref. No.	A	N	Parts No.	Description			Desti- nation	Ref. No.	A	N	Parts No.	Description			Desti- nation		
	d	e															
R402			RK73GB2A222J	CHIP R	2.2K	J	1/10W	E1E2			R442	RK73EB2E100J	CHIP R	10	J	1/4W	KM1M2
R402			RK73GB2A222J	CHIP R	2.2K	J	1/10W	M1M2X1			R442	RK73EB2E100J	CHIP R	10	J	1/4W	K1E1K2
R403			RK73GB2A102J	CHIP R	1.0K	J	1/10W	EQ1Q2			R442	RK73EB2E100J	CHIP R	10	J	1/4W	K3
R403			RK73GB2A102J	CHIP R	1.0K	J	1/10W	E1E2			R442	RK73EB2E100J	CHIP R	10	J	1/4W	R2Q1Q2
R403			RK73GB2A102J	CHIP R	1.0K	J	1/10W	M1M2X1			R442	RK73EB2E100J	CHIP R	10	J	1/4W	X1ER1
R404,405			RK73GB2A100J	CHIP R	10	J	1/10W	EQ1Q2			R443	RK73EB2E4R7J	CHIP R	4.7	J	1/4W	KM1M2
R404,405			RK73GB2A100J	CHIP R	10	J	1/10W	E1E2			R443	RK73EB2E4R7J	CHIP R	4.7	J	1/4W	K1E1K2
R404,405			RK73GB2A100J	CHIP R	10	J	1/10W	M1M2X1			R443	RK73EB2E4R7J	CHIP R	4.7	J	1/4W	K3
R406			RK73EB2E100J	CHIP R	10	J	1/4W	EQ1Q2			R443	RK73EB2E4R7J	CHIP R	4.7	J	1/4W	R2Q1Q2
R406			RK73EB2E100J	CHIP R	10	J	1/4W	E1E2			R443	RK73EB2E4R7J	CHIP R	4.7	J	1/4W	X1ER1
R406			RK73EB2E100J	CHIP R	10	J	1/4W	M1M2X1			R444	RK73EB2E100J	CHIP R	10	J	1/4W	KM1M2
R407			RK73EB2E4R7J	CHIP R	4.7	J	1/4W	EQ1Q2			R444	RK73EB2E100J	CHIP R	10	J	1/4W	K1E1K2
R407			RK73EB2E4R7J	CHIP R	4.7	J	1/4W	E1E2			R444	RK73EB2E100J	CHIP R	10	J	1/4W	K3
R407			RK73EB2E4R7J	CHIP R	4.7	J	1/4W	M1M2X1			R444	RK73EB2E100J	CHIP R	10	J	1/4W	R2Q1Q2
R408			RK73EB2E100J	CHIP R	10	J	1/4W	EQ1Q2			R444	RK73EB2E100J	CHIP R	10	J	1/4W	X1ER1
R408			RK73EB2E100J	CHIP R	10	J	1/4W	E1E2			R445	RK73GB2A100J	CHIP R	10	J	1/10W	KM1M2
R408			RK73EB2E100J	CHIP R	10	J	1/4W	M1M2X1			R445	RK73GB2A100J	CHIP R	10	J	1/10W	K1E1K2
R409-411			RK73EB2E102J	CHIP R	1.0K	J	1/4W	EQ1Q2			R445	RK73GB2A100J	CHIP R	10	J	1/10W	K3
R409-411			RK73EB2E102J	CHIP R	1.0K	J	1/4W	E1E2			R445	RK73GB2A100J	CHIP R	10	J	1/10W	R2Q1Q2
R409-411			RK73EB2E102J	CHIP R	1.0K	J	1/4W	M1M2X1			R445	RK73GB2A100J	CHIP R	10	J	1/10W	X1ER1
R412-414			RK73EB2E101J	CHIP R	100	J	1/4W	EQ1Q2			R446	RK73GB2A473J	CHIP R	47K	J	1/10W	KM1M2
R412-414			RK73EB2E101J	CHIP R	100	J	1/4W	E1E2			R446	RK73GB2A473J	CHIP R	47K	J	1/10W	K1E1K2
R412-414			RK73EB2E101J	CHIP R	100	J	1/4W	M1M2X1			R446	RK73GB2A473J	CHIP R	47K	J	1/10W	K3
R415,416			RK73EB2E102J	CHIP R	1.0K	J	1/4W	EQ1Q2			R446	RK73GB2A473J	CHIP R	47K	J	1/10W	R2Q1Q2
R415,416			RK73EB2E102J	CHIP R	1.0K	J	1/4W	E1E2			R446	RK73GB2A473J	CHIP R	47K	J	1/10W	X1ER1
R415,416			RK73EB2E102J	CHIP R	1.0K	J	1/4W	M1M2X1			R447	RK73GB2A104J	CHIP R	100K	J	1/10W	KM1M2
R417			RK73EB2E101J	CHIP R	100	J	1/4W	EQ1Q2			R447	RK73GB2A104J	CHIP R	100K	J	1/10W	K1E1K2
R417			RK73EB2E101J	CHIP R	100	J	1/4W	E1E2			R447	RK73GB2A104J	CHIP R	100K	J	1/10W	K3
R417			RK73EB2E101J	CHIP R	100	J	1/4W	M1M2X1			R447	RK73GB2A104J	CHIP R	100K	J	1/10W	R2Q1Q2
R418			RK73GB2A100J	CHIP R	10	J	1/10W	EQ1Q2			R447	RK73GB2A104J	CHIP R	100K	J	1/10W	X1ER1
R418			RK73GB2A100J	CHIP R	10	J	1/10W	E1E2			R448	RK73GB2A473J	CHIP R	47K	J	1/10W	KM1M2
R418			RK73GB2A100J	CHIP R	10	J	1/10W	M1M2X1			R448	RK73GB2A473J	CHIP R	47K	J	1/10W	K1E1K2
R419			RK73GB2A750J	CHIP R	75	J	1/10W	EQ1Q2			R448	RK73GB2A473J	CHIP R	47K	J	1/10W	K3
R419			RK73GB2A750J	CHIP R	75	J	1/10W	E1E2			R448	RK73GB2A473J	CHIP R	47K	J	1/10W	R2Q1Q2
R419			RK73GB2A750J	CHIP R	75	J	1/10W	M1M2X1			R448	RK73GB2A473J	CHIP R	47K	J	1/10W	X1ER1
R438			RK73EB2E432J	CHIP R	4.3K	J	1/4W	KM1M2			R451-453	RK73GB2A100J	CHIP R	10	J	1/10W	KM1M2
R438			RK73EB2E432J	CHIP R	4.3K	J	1/4W	K1E1K2			R451-453	RK73GB2A100J	CHIP R	10	J	1/10W	K1E1K2
R438			RK73EB2E432J	CHIP R	4.3K	J	1/4W	K3			R451-453	RK73GB2A100J	CHIP R	10	J	1/10W	K3
R438			RK73EB2E432J	CHIP R	4.3K	J	1/4W	R2Q1Q2			R451-453	RK73GB2A100J	CHIP R	10	J	1/10W	R2Q1Q2
R438			RK73EB2E432J	CHIP R	4.3K	J	1/4W	X1ER1			R451-453	RK73GB2A100J	CHIP R	10	J	1/10W	X1ER1
R439			RK73EB2E472J	CHIP R	4.7K	J	1/4W	KM1M2			R454	RK73GB2A102J	CHIP R	1.0K	J	1/10W	KM1M2
R439			RK73EB2E472J	CHIP R	4.7K	J	1/4W	K1E1K2			R454	RK73GB2A102J	CHIP R	1.0K	J	1/10W	K1E1K2
R439			RK73EB2E472J	CHIP R	4.7K	J	1/4W	K3			R454	RK73GB2A102J	CHIP R	1.0K	J	1/10W	K3
R439			RK73EB2E472J	CHIP R	4.7K	J	1/4W	R2Q1Q2			R454	RK73GB2A102J	CHIP R	1.0K	J	1/10W	R2Q1Q2
R439			RK73EB2E472J	CHIP R	4.7K	J	1/4W	X1ER1			R454	RK73GB2A102J	CHIP R	1.0K	J	1/10W	X1ER1
R440			RK73EB2E101J	CHIP R	100	J	1/4W	KM1M2			R455	RK73GB2A222J	CHIP R	2.2K	J	1/10W	KM1M2
R440			RK73EB2E101J	CHIP R	100	J	1/4W	K1E1K2			R455	RK73GB2A222J	CHIP R	2.2K	J	1/10W	K1E1K2
R440			RK73EB2E101J	CHIP R	100	J	1/4W	K3			R455	RK73GB2A222J	CHIP R	2.2K	J	1/10W	K3
R440			RK73EB2E101J	CHIP R	100	J	1/4W	R2Q1Q2			R455	RK73GB2A222J	CHIP R	2.2K	J	1/10W	R2Q1Q2
R440			RK73EB2E101J	CHIP R	100	J	1/4W	X1ER1			R455	RK73GB2A222J	CHIP R	2.2K	J	1/10W	X1ER1
R441			RK73EB2E432J	CHIP R	4.3K	J	1/4W	KM1M2			R456	RK73EB2E103J	CHIP R	10K	J	1/4W	KM1M2
R441			RK73EB2E432J	CHIP R	4.3K	J	1/4W	K1E1K2			R456	RK73EB2E103J	CHIP R	10K	J	1/4W	K1E1K2
R441			RK73EB2E432J	CHIP R	4.3K	J	1/4W	K3			R456	RK73EB2E103J	CHIP R	10K	J	1/4W	K3
R441			RK73EB2E432J	CHIP R	4.3K	J	1/4W	R2Q1Q2			R456	RK73EB2E103J	CHIP R	10K	J	1/4W	R2Q1Q2
R441			RK73EB2E432J	CHIP R	4.3K	J	1/4W	X1ER1			R456	RK73EB2E103J	CHIP R	10K	J	1/4W	X1ER1

E: DDX5024 E1: DNX5240 E2: DNX5240BT (Europe) Q1: DDX5054 Q2: DDX54R (Russian)

K: DDX514 K1: DNX5140 K2: DNX6140 K3: DNX6000EX (North America)

X1: DDX5034 (Australia) R1: DDX5034 R2: DDX5034BT (Latin America)

M1: DDX5034 M2: DDX5034M (Other Areas)

△ Indicates safety critical components.

PARTS LIST

ELECTRIC UNIT (X34-575x-xx)

Ref. No.	Add	New	Parts No.	Description	Destination	Ref. No.	Add	New	Parts No.	Description	Destination
R458			RK73GB2A104J	CHIP R 100K J 1/10W		W105			R92-2052-05	CHIP R 0 OHM J 1/10W	
R500			RK73FB2B152J	CHIP R 1.5K J 1/8W		W300-303			R92-1252-05	CHIP R 0 OHM J 1/16W	KR1K1
R501			RK73GB2A102J	CHIP R 1.0K J 1/10W		W300,301			R92-1252-05	CHIP R 0 OHM J 1/16W	EQ1Q2
R502			RK73GB2A223J	CHIP R 22K J 1/10W		W300,301			R92-1252-05	CHIP R 0 OHM J 1/16W	E1E2
R503			RK73GB2A100J	CHIP R 10 J 1/10W		W300,301			R92-1252-05	CHIP R 0 OHM J 1/16W	M1M2X1
R505-507			RK73GB2A222J	CHIP R 2.2K J 1/10W	KR1EQ1	W302-307			R92-1252-05	CHIP R 0 OHM J 1/16W	R2K2K3
R505-507			RK73GB2A222J	CHIP R 2.2K J 1/10W	K3E1E2	W304-309			R92-1252-05	CHIP R 0 OHM J 1/16W	E2
R505-507			RK73GB2A222J	CHIP R 2.2K J 1/10W	Q2M1M2	W310,311			R92-1252-05	CHIP R 0 OHM J 1/16W	KM1M2
R505-507			RK73GB2A222J	CHIP R 2.2K J 1/10W	R2K1K2	W310,311			R92-1252-05	CHIP R 0 OHM J 1/16W	K1E1K2
R600,601			RK73GB2A820J	CHIP R 82 J 1/10W		W310,311			R92-1252-05	CHIP R 0 OHM J 1/16W	K3
R603,604			RK73GB2A820J	CHIP R 82 J 1/10W		W310,311			R92-1252-05	CHIP R 0 OHM J 1/16W	R2Q1Q2
R605			RK73GB2A333J	CHIP R 33K J 1/10W		W310,311			R92-1252-05	CHIP R 0 OHM J 1/16W	X1ER1
R606			RK73GB2A331J	CHIP R 330 J 1/10W		W800			R92-1252-05	CHIP R 0 OHM J 1/16W	
R607			RK73GB2A682J	CHIP R 6.8K J 1/10W		W802			R92-1252-05	CHIP R 0 OHM J 1/16W	
R608			RK73GB2A221J	CHIP R 220 J 1/10W							
R609			RK73GB2A223J	CHIP R 22K J 1/10W		D1			RB160L-40	DIODE	
R610			RK73GB2A103J	CHIP R 10K J 1/10W		D2			UDZW5.6(B)	ZENER DIODE	
R611			RK73GB2A270J	CHIP R 27 J 1/10W		D3			DAP202U	DIODE	
R700			RK73FB2B101J	CHIP R 100 J 1/8W		D4			DAN202U	DIODE	
R701			RK73GB2A471J	CHIP R 470 J 1/10W		D6 ,7			1SR154-400	DIODE	
R702			RK73GB2A223J	CHIP R 22K J 1/10W		D8			DAN202U	DIODE	
R705			RK73GB2A223J	CHIP R 22K J 1/10W		D9			1SR154-400	DIODE	
R707			RK73FB2B101J	CHIP R 100 J 1/8W		D10			DAN202U	DIODE	
R708			RK73GB2A471J	CHIP R 470 J 1/10W		D11			1SR154-400	DIODE	
R709			RK73FB2B101J	CHIP R 100 J 1/8W		D12			UDZW6.2(B)	ZENER DIODE	
R710			RK73GB2A471J	CHIP R 470 J 1/10W		D13			UDZW6.8(B)	ZENER DIODE	
R712			RK73GB2A223J	CHIP R 22K J 1/10W		D15			UDZW6.8(B)	ZENER DIODE	
R716			RK73GB2A223J	CHIP R 22K J 1/10W		D17			RM4ZLF-J1NF	DIODE	
R717			RK73FB2B101J	CHIP R 100 J 1/8W		D18			UDZW4.7(B)	ZENER DIODE	
R718			RK73GB2A471J	CHIP R 470 J 1/10W		D19			UDZW6.2(B)	ZENER DIODE	
R719			RK73FB2B101J	CHIP R 100 J 1/8W		D20			DAN202U	DIODE	
R720			RK73GB2A471J	CHIP R 470 J 1/10W		D300,301			DAP202U	DIODE	
R721			RK73GB2A223J	CHIP R 22K J 1/10W		D302,303			UDZW6.8(B)	ZENER DIODE	
R724			RK73GB2A223J	CHIP R 22K J 1/10W		D304-306			DAP202U	DIODE	
R725			RK73FB2B101J	CHIP R 100 J 1/8W		D307			UDZW6.8(B)	ZENER DIODE	
R726			RK73GB2A471J	CHIP R 470 J 1/10W		D400			UDZW4.7(B)	ZENER DIODE	EQ1Q2
R800,801			RK73GB2A102J	CHIP R 1.0K J 1/10W		D400			UDZW4.7(B)	ZENER DIODE	E1E2
R802-811			RK73GB2A101J	CHIP R 100 J 1/10W		D400			UDZW4.7(B)	ZENER DIODE	M1M2X1
R812			RK73GB2A102J	CHIP R 1.0K J 1/10W		D401			DAP202U	DIODE	EQ1Q2
R813			RK73FB2B100J	CHIP R 10 J 1/8W		D401			DAP202U	DIODE	E1E2
R814			RK73FB2B4R7J	CHIP R 4.7 J 1/8W		D401			DAP202U	DIODE	M1M2X1
R818			RK73FB2B100J	CHIP R 10 J 1/8W		D402,403			UDZW6.2(B)	ZENER DIODE	EQ1Q2
R819,820			RK73GB2A103J	CHIP R 10K J 1/10W		D402,403			UDZW6.2(B)	ZENER DIODE	E1E2
R821			RK73GB2A000J	CHIP R 0.0 J 1/10W		D402,403			UDZW6.2(B)	ZENER DIODE	M1M2X1
R822			RK73FB2B821J	CHIP R 820 J 1/8W		D404,405			UDZW6.8(B)	ZENER DIODE	EQ1Q2
R823			RK73GB2A100J	CHIP R 10 J 1/10W		D404,405			UDZW6.8(B)	ZENER DIODE	E1E2
R999			RK73GB2A000J	CHIP R 0.0 J 1/10W	E1E2	D404,405			UDZW6.8(B)	ZENER DIODE	M1M2X1
R999			RK73GB2A000J	CHIP R 0.0 J 1/10W	K1K2K3	D406-413			UDZW6.2(B)	ZENER DIODE	EQ1Q2
W4			R92-1252-05	CHIP R 0 OHM J 1/16W		D406-413			UDZW6.2(B)	ZENER DIODE	E1E2
W100			R92-1252-05	CHIP R 0 OHM J 1/16W		D406-413			UDZW6.2(B)	ZENER DIODE	M1M2X1
W102-104			R92-1252-05	CHIP R 0 OHM J 1/16W	KM1M2	D417			UDZW6.2(B)	ZENER DIODE	EQ1Q2
W102-104			R92-1252-05	CHIP R 0 OHM J 1/16W	R2Q1Q2	D417			UDZW6.2(B)	ZENER DIODE	E1E2
W102-104			R92-1252-05	CHIP R 0 OHM J 1/16W	X1ER1	D417			UDZW6.2(B)	ZENER DIODE	M1M2X1
W102,103			R92-1252-05	CHIP R 0 OHM J 1/16W	E1E2	D418			DA204U	DIODE	
W102,103			R92-1252-05	CHIP R 0 OHM J 1/16W	K1K2K3	D419-421			UDZW6.2(B)	ZENER DIODE	KM1M2

E: DDX5024 E1: DNX5240 E2: DNX5240BT (Europe) Q1: DDX5054 Q2: DDX54R (Russian)
 K: DDX514 K1: DNX5140 K2: DNX6140 K3: DNX6000EX (North America)
 X1: DDX5034 (Australia) R1: DDX5034 R2: DDX5034BT (Latin America)
 M1: DDX5034 M2: DDX5034M (Other Areas)

△ Indicates safety critical components.

PARTS LIST

ELECTRIC UNIT (X34-575x-xx)

Ref. No.	Add	New	Parts No.	Description	Destination	Ref. No.	Add	New	Parts No.	Description	Destination
D419-421			UDZW6.2(B)	ZENER DIODE	K1E1K2	IC400,401			NJM2794RB2ZB	ANALOGUE IC	E1
D419-421			UDZW6.2(B)	ZENER DIODE	K3	IC400,401			NJM2794RB2ZB	ANALOGUE IC	M1M2X1
D419-421			UDZW6.2(B)	ZENER DIODE	R2Q1Q2	IC401			NJM2794RB2ZB	ANALOGUE IC	KR1R2
D419-421			UDZW6.2(B)	ZENER DIODE	X1ER1	IC401			NJM2794RB2ZB	ANALOGUE IC	K1K2K3
D422,423			UDZW6.8(B)	ZENER DIODE	KM1M2	IC402			TC7WHU04FU-F	MOS-IC	EQ1Q2
D422,423			UDZW6.8(B)	ZENER DIODE	K1E1K2	IC402			TC7WHU04FU-F	MOS-IC	E1E2
D422,423			UDZW6.8(B)	ZENER DIODE	K3	IC402			TC7WHU04FU-F	MOS-IC	M1M2X1
D422,423			UDZW6.8(B)	ZENER DIODE	R2Q1Q2	IC500			E-TDA7478AD	ANALOGUE IC	KR1EQ1
D422,423			UDZW6.8(B)	ZENER DIODE	X1ER1	IC500			E-TDA7478AD	ANALOGUE IC	K3E1E2
D424-426			UDZW6.2(B)	ZENER DIODE	KM1M2	IC500			E-TDA7478AD	ANALOGUE IC	Q2M1M2
D424-426			UDZW6.2(B)	ZENER DIODE	K1E1K2	IC500			E-TDA7478AD	ANALOGUE IC	R2K1K2
D424-426			UDZW6.2(B)	ZENER DIODE	K3	IC600			E-TDA7850A	ANALOGUE IC	
D424-426			UDZW6.2(B)	ZENER DIODE	R2Q1Q2	Q1			KTA1046-P	TRANSISTOR	
D424-426			UDZW6.2(B)	ZENER DIODE	X1ER1	Q2			KRA303-P	DIGITAL TRANSISTOR	
D427			UDZW4.7(B)	ZENER DIODE	KM1M2	Q3			2SB1188(R)	TRANSISTOR	
D427			UDZW4.7(B)	ZENER DIODE	K1E1K2	Q4			2SA1576A	TRANSISTOR	
D427			UDZW4.7(B)	ZENER DIODE	K3	Q5			KTA1046-P	TRANSISTOR	
D427			UDZW4.7(B)	ZENER DIODE	R2Q1Q2	Q6	*		KRC401-P	DIGITAL TRANSISTOR	
D427			UDZW4.7(B)	ZENER DIODE	X1ER1	Q7			KRC404-P	DIGITAL TRANSISTOR	
D430			DAP202U	DIODE	KM1M2	Q8			2SC4081	TRANSISTOR	
D430			DAP202U	DIODE	K1E1K2	Q9			KRA302-P	DIGITAL TRANSISTOR	
D430			DAP202U	DIODE	K3	Q10			2SA1576A	TRANSISTOR	
D430			DAP202U	DIODE	R2Q1Q2	Q11	*		KRC406-P	DIGITAL TRANSISTOR	
D431			1SS355	DIODE	X1ER1	Q12			2SB1689	TRANSISTOR	
D431			1SS355	DIODE	KM1M2	Q13			KRC403-P	DIGITAL TRANSISTOR	
D431			1SS355	DIODE	K1E1K2	Q14			2SB1188(R)	TRANSISTOR	KR1M1
D431			1SS355	DIODE	K3	Q14			2SB1188(R)	TRANSISTOR	K1K2K3
D431			1SS355	DIODE	R2Q1Q2	Q14			2SB1188(R)	TRANSISTOR	M2X1R2
D500			UDZW9.1(B)	ZENER DIODE	X1ER1	Q15			KRC404-P	DIGITAL TRANSISTOR	
D600,601			DAP202U	DIODE	K1E1K2	Q16,17			2SC4081	TRANSISTOR	KR1M1
D704-707			DAP202U	DIODE	K3	Q16,17			2SC4081	TRANSISTOR	K1K2K3
D710,711			DAP202U	DIODE	R2Q1Q2	Q17			2SC4081	TRANSISTOR	M2X1R2
D802-806			AVRM16120M6AB	VARIATOR	X1ER1	Q17			2SC4081	TRANSISTOR	EQ1Q2
D808-812			AVRM16120M6AB	VARIATOR	KM1M2	Q20			2SC4081	TRANSISTOR	E1E2
D816			UDZW10(B)	ZENER DIODE	K1E1K2	Q21			KRC404-P	DIGITAL TRANSISTOR	
IC1			M5237ML-CF0J	ANALOGUE IC	K3	Q22			2SB1689	TRANSISTOR	
IC2			R1114N331B-TR	ANALOGUE IC (3.3V LF)	R2Q1Q2	Q23			2SC4081	TRANSISTOR	
IC100			74AHC1G08GW	MOS-IC	X1ER1	Q24			KRA303-P	DIGITAL TRANSISTOR	
IC101			S-80835CNNB-G	MOS-IC	X1ER1	Q25	*		KRC406-P	DIGITAL TRANSISTOR	
IC103			W05-1387-00	ROM IC	KK1	Q100			KRC404-P	DIGITAL TRANSISTOR	E1E2
IC103			W05-1387-00	ROM IC	K2K3	Q100			KRC404-P	DIGITAL TRANSISTOR	K1K2K3
IC103			W05-1388-00	ROM IC	EE1E2	Q101			2SA1576A	TRANSISTOR	E1E2
IC103			W05-1388-00	ROM IC	M2	Q101			2SA1576A	TRANSISTOR	K1K2K3
IC103			W05-1389-00	ROM IC	M1	Q102			KRA302-P	DIGITAL TRANSISTOR	E1E2
IC103			W05-1390-00	ROM IC	X1R1R2	Q102			KRA302-P	DIGITAL TRANSISTOR	K1K2K3
IC103		*	W05-1454-00	ROM IC	Q1Q2	Q103,104	*		KRC411-P	DIGITAL TRANSISTOR	
IC104		*	30878MJBA31GP	MICROCONTROLLER IC	E1E2	Q105	*		KRA311-P	DIGITAL TRANSISTOR	
IC105			74AHC1G08GW	MOS-IC	K1K2K3	Q107			KRA302-P	DIGITAL TRANSISTOR	
IC105			74AHC1G08GW	MOS-IC	K1K2K3	Q108			2SC4081	TRANSISTOR	
IC300			TC4052BFT	MOS-IC	R2K2K3	Q110			KRA307-P	DIGITAL TRANSISTOR	
IC302			E-TDA7415CB	ANALOGUE IC	E2	Q111			2SC4081	TRANSISTOR	
IC303,304			TC4052BFT	MOS-IC	EQ1Q2	Q112	*		KRC406-P	DIGITAL TRANSISTOR	
IC400			NJM2794RB2ZB	ANALOGUE IC	E2	Q113-115			2SC4081	TRANSISTOR	
IC400,401			NJM2794RB2ZB	ANALOGUE IC	EQ1Q2	Q116			2SA1576A	TRANSISTOR	

E: DDX5024 E1: DNX5240 E2: DNX5240BT (Europe) Q1: DDX5054 Q2: DDX54R (Russian)

K: DDX514 K1: DNX5140 K2: DNX6140 K3: DNX6000EX (North America)

X1: DDX5034 (Australia) R1: DDX5034 R2: DDX5034BT (Latin America)

M1: DDX5034 M2: DDX5034M (Other Areas)

△ Indicates safety critical components.

PARTS LIST

ELECTRIC UNIT (X34-575x-xx)

Ref. No.	Add	New	Parts No.	Description	Destination
Q117			2SC4081	TRANSISTOR	
Q118			2SA1576A	TRANSISTOR	
Q300-302		*	KRC406-P	DIGITAL TRANSISTOR	R2K2K3
Q300,301		*	KRC406-P	DIGITAL TRANSISTOR	E2
Q300,301		*	KRC406-P	DIGITAL TRANSISTOR	KR1EQ1
Q300,301		*	KRC406-P	DIGITAL TRANSISTOR	Q2M1M2
Q300,301		*	KRC406-P	DIGITAL TRANSISTOR	X1K1E1
Q303-305		*	KRC406-P	DIGITAL TRANSISTOR	EQ1Q2
Q303-305		*	KRC406-P	DIGITAL TRANSISTOR	E1E2
Q303-305		*	KRC406-P	DIGITAL TRANSISTOR	M1M2X1
Q304,305		*	KRC406-P	DIGITAL TRANSISTOR	KR1R2
Q304,305		*	KRC406-P	DIGITAL TRANSISTOR	K1K2K3
Q403		*	KRC406-P	DIGITAL TRANSISTOR	KM1M2
Q403		*	KRC406-P	DIGITAL TRANSISTOR	K1E1K2
Q403		*	KRC406-P	DIGITAL TRANSISTOR	K3
Q403		*	KRC406-P	DIGITAL TRANSISTOR	R2Q1Q2
Q403		*	KRC406-P	DIGITAL TRANSISTOR	X1ER1
Q406			TPC8110-F	FET	KM1M2
Q406			TPC8110-F	FET	K1E1K2
Q406			TPC8110-F	FET	K3
Q406			TPC8110-F	FET	R2Q1Q2
Q406			TPC8110-F	FET	X1ER1
Q407			KRA307-P	DIGITAL TRANSISTOR	KM1M2
Q407			KRA307-P	DIGITAL TRANSISTOR	K1E1K2
Q407			KRA307-P	DIGITAL TRANSISTOR	K3
Q407			KRA307-P	DIGITAL TRANSISTOR	R2Q1Q2
Q407			KRA307-P	DIGITAL TRANSISTOR	X1ER1
Q500			KRC404-P	DIGITAL TRANSISTOR	
Q501			KRA304-P	DIGITAL TRANSISTOR	
Q502			2SB1449(R)-E	TRANSISTOR	
Q503			2SC4081	TRANSISTOR	
Q504		*	KRC406-P	DIGITAL TRANSISTOR	
Q505			2SA1577	TRANSISTOR	
Q700-702		*	KRC406-P	DIGITAL TRANSISTOR	
Q703			KRC410-P	DIGITAL TRANSISTOR	
Q704			KRA304-P	DIGITAL TRANSISTOR	
Q705,706			KRC410-P	DIGITAL TRANSISTOR	
Q707			KRA304-P	DIGITAL TRANSISTOR	
Q708,709			KRC410-P	DIGITAL TRANSISTOR	
Q710			KRA304-P	DIGITAL TRANSISTOR	
Q711			KRC410-P	DIGITAL TRANSISTOR	
Q800			KRA304-P	DIGITAL TRANSISTOR	
Q801			KRC404-P	DIGITAL TRANSISTOR	
Q802			KTA1046-P	TRANSISTOR	
Q803			2SC4081	TRANSISTOR	
Q804		*	KRA308-P	DIGITAL TRANSISTOR	
TH600			PRF18BE471QS2	POSITIVE RESISTOR	
A500			X86-4030-11	FRONT-END UNIT	KR1X1
A500			X86-4030-11	FRONT-END UNIT	K3
A500			X86-4030-11	FRONT-END UNIT	R2K1K2
A500			X86-4032-70	FRONT-END UNIT	EQ1Q2
A500			X86-4032-70	FRONT-END UNIT	E2
A500			X86-4032-70	FRONT-END UNIT	M1M2E1
A501			X89-3062-70	DAUGHTER UNIT	E1E2

Ref. No.	Add	New	Parts No.	Description	Destination
VIDEO UNIT (X35-4890-10)					
D712,713			B30-3202-05	LED (RGB F4)	
D721			B30-1566-05	LED (1608,RED)	
D722			B30-1713-05	LED (SR,TS)	
D733			B30-1566-05	LED (1608,RED)	
C1			CK73EB1E106K	CHIP C	10UF K
C2 -5			CK73GB1H103K	CHIP C	0.010UF K
C6			CK73GB0J225K	CHIP C	2.2UF K
C7			CK73GB1E183K	CHIP C	0.018UF K
C8			CK73GB0J225K	CHIP C	2.2UF K
C9			CK73GB1A474K	CHIP C	0.47UF K
C10			CK73GB1H152K	CHIP C	1500PF K
C11			CK73GB0J225K	CHIP C	2.2UF K
C12			CK73GB1H103K	CHIP C	0.010UF K
C13 ,14			CK73GB1H473K	CHIP C	0.047UF K
C15			C93-1383-05	CHIP C	220PF F
C16 ,17			CK73EB1E106K	CHIP C	10UF K
C19 -21			C93-1283-05	CHIP C	1.0UF K
C22			C93-1270-05	CHIP C	3300PF K
C23			C93-1273-05	CHIP C	15PF J
C24			C93-1278-05	CHIP C	0.018UF K
C25			C93-1283-05	CHIP C	1.0UF K
C102			CK73EB0J226K	CHIP C	22UF K
C103			CK73FB0J106K	CHIP C	10UF K
C104			CK73GB1H104K	CHIP C	0.10UF K
C105			CK73GB1H103K	CHIP C	0.010UF K
C107			CK73GB1H104K	CHIP C	0.10UF K
C108			CK73EB1E106K	CHIP C	10UF K
C109			CK73GB1H103K	CHIP C	0.010UF K
C112			CK73FB1E154K	CHIP C	0.15UF K
C113			CK73GB1H104K	CHIP C	0.10UF K
C114			CC73GCH1H151J	CHIP C	150PF J
C115,116			CK73GB1C224K	CHIP C	0.22UF K
C117			CC73GCH1H151J	CHIP C	150PF J
C118			CK73EB1E225K	CHIP C	2.2UF K
C119		*	C92-2020-05	ELECTRO	33UF 16WV
C120			CK73GB1H103K	CHIP C	0.010UF K
C121			CK73FB1C105K	CHIP C	1.0UF K
C122-124			CK73EB1C106K	CHIP C	10UF K
C125			CK73GB1H103K	CHIP C	0.010UF K
C126,127			CK73GB1H104K	CHIP C	0.10UF K
C128			CK73EB1C106K	CHIP C	10UF K
C200			CK73GB1A105K	CHIP C	1.0UF K
C201			CK73FB0J106K	CHIP C	10UF K
C202			CK73GB1H104K	CHIP C	0.10UF K
C203			CK73GB1A105K	CHIP C	1.0UF K
C204			CK73FB0J106K	CHIP C	10UF K
C205			CK73GB1H104K	CHIP C	0.10UF K
C206			CK73EB1E225K	CHIP C	2.2UF K
C207,208			CC73GCH1H270J	CHIP C	27PF J
C210-218			CK73GB1H104K	CHIP C	0.10UF K
C219			CC73GCH1H560J	CHIP C	56PF J
C220			CK73FB0J106K	CHIP C	10UF K
C221-224			CK73GB1H104K	CHIP C	0.10UF K

E: DDX5024 E1: DNX5240 E2: DNX5240BT (Europe) Q1: DDX5054 Q2: DDX54R (Russian)
 K: DDX514 K1: DNX5140 K2: DNX6140 K3: DNX6000EX (North America)
 X1: DDX5034 (Australia) R1: DDX5034 R2: DDX5034BT (Latin America)
 M1: DDX5034 M2: DDX5034M (Other Areas)

△ Indicates safety critical components.

PARTS LIST

VIDEO UNIT (X35-4890-10)

Ref. No.	Add	New	Parts No.	Description	Destination	Ref. No.	Add	New	Parts No.	Description	Destination
C225			CK73EB1C106K	CHIP C 10UF K		L102			L41-1005-33	SMALL FIXED INDUCTOR (10U)	
C226,227			CK73GB1H103K	CHIP C 0.010UF K		L103,104			L41-3392-13	SMALL FIXED INDUCTOR (3.3UH)	
C228			CK73EB1C106K	CHIP C 10UF K		L105,106			L41-1005-33	SMALL FIXED INDUCTOR (10U)	
C229-246			CK73GB1H104K	CHIP C 0.10UF K		L200,201			L41-1005-33	SMALL FIXED INDUCTOR (10U)	
C247			CC73GCH1H101J	CHIP C 100PF J		L202-206			L92-0319-05	CHIP FERRITE	
C248			CK73GB1H103K	CHIP C 0.010UF K		L207			L41-1005-33	SMALL FIXED INDUCTOR (10U)	
C249-251			CK73GB1H104K	CHIP C 0.10UF K		L208			L41-8281-15	SMALL FIXED INDUCTOR (0.82U)	
C252			CK73GB1A105K	CHIP C 1.0UF K		L209-212			L92-0319-05	CHIP FERRITE	
C253			CK73GB1H102K	CHIP C 1000PF K		L401			L41-2205-33	SMALL FIXED INDUCTOR (22U)	
C254			CK73GB1H104K	CHIP C 0.10UF K		L450			L41-1005-33	SMALL FIXED INDUCTOR (10U)	
C255			CK73GB1A105K	CHIP C 1.0UF K		L500			L41-1005-33	SMALL FIXED INDUCTOR (10U)	
C256,257			CK73GB1H104K	CHIP C 0.10UF K		L600			L92-0319-05	CHIP FERRITE	
C260			CC73GCH1H101J	CHIP C 100PF J		X200			L77-2965-05	CRYSTAL RESONATOR(12.000MHZ)	
C261,262			CK73FB0J106K	CHIP C 10UF K		R1			RK73FB2B152J	CHIP R 1.5K J 1/8W	
C263			CK73EB1E106K	CHIP C 10UF K		R4			RK73GB2A153J	CHIP R 15K J 1/10W	
C264			CK73EB1E225K	CHIP C 2.2UF K		R5			RK73GB2A220J	CHIP R 22 J 1/10W	
C266			CK73GB1H104K	CHIP C 0.10UF K		R6			RK73GB2A222J	CHIP R 2.2K J 1/10W	
C267-270			CC73GCH1H101J	CHIP C 100PF J		R7			RK73GH2A433D	CHIP R 43K D 1/10W	
C271			CK73EB1E106K	CHIP C 10UF K		R9			RK73GB2A220J	CHIP R 22 J 1/10W	
C272-275			CK73GB1H104K	CHIP C 0.10UF K		R10			RK73GB2A515J	CHIP R 5.1M J 1/10W	
C276,277			CK73GB1A105K	CHIP C 1.0UF K		R11			RK73GH2A513D	CHIP R 51K D 1/10W	
C278			CK73GB1H104K	CHIP C 0.10UF K		R12			RK73GB2A101J	CHIP R 100 J 1/10W	
C279			CK73EB1E106K	CHIP C 10UF K		R13			RK73GB2A104J	CHIP R 100K J 1/10W	
C405			CC73GCH1H330J	CHIP C 33PF J		R14			RK73GH2A204D	CHIP R 200K D 1/10W	
C451			CC73GCH1H560J	CHIP C 56PF J		R15			RK73GB2A105J	CHIP R 1.0M J 1/10W	
C458			CC73GCH1H102J	CHIP C 1000PF J		R16			RK73GB2A512J	CHIP R 5.1K J 1/10W	
C459			CK73EB1C106K	CHIP C 10UF K		R17			RK73GH2A563D	CHIP R 56K D 1/10W	
C460			CK73GB1H103K	CHIP C 0.010UF K		R18			RK73GH2A824D	CHIP R 820K D 1/10W	
C462			CK73GB1H103K	CHIP C 0.010UF K		R19-21			RK73GB2A220J	CHIP R 22 J 1/10W	
C464			CK73GB1H103K	CHIP C 0.010UF K		R22			RK73GB2A512J	CHIP R 5.1K J 1/10W	
C466			CE32BJ1C220M	CHIP EL 22UF 16WV		R23			RK73GB2A220J	CHIP R 22 J 1/10W	
C467			CK73GB1H103K	CHIP C 0.010UF K		R25			RK73GH2A471D	CHIP R 470 D 1/10W	
C500			CK73FB0J106K	CHIP C 10UF K		R26,27			RK73GB2A000J	CHIP R 0.0 J 1/10W	
C501,502			CK73GB1H103K	CHIP C 0.010UF K		R100			RK73GB2A000J	CHIP R 0.0 J 1/10W	
C503			CK73GB1H104K	CHIP C 0.10UF K		R102			RK73GB2A000J	CHIP R 0.0 J 1/10W	
C504			CK73GB1A105K	CHIP C 1.0UF K		R104			RK73GB2A562J	CHIP R 5.6K J 1/10W	
C601			CK73GB1H104K	CHIP C 0.10UF K		R107			RK73GH2A124D	CHIP R 120K D 1/10W	
C608			CK73FB0J106K	CHIP C 10UF K		R108			RK73GH2A113D	CHIP R 11K D 1/10W	
C610,611			CK73GB1H102K	CHIP C 1000PF K		R109			RK73GH2A104D	CHIP R 100K D 1/10W	
C701			CK73EB1E105K	CHIP C 1.0UF K		R110			RK73GH2A113D	CHIP R 11K D 1/10W	
CN1			E41-2874-05	PIN ASSY		R111			RK73GB2A473J	CHIP R 47K J 1/10W	
CN3			E41-2979-05	FLAT CABLE CONNECTOR		R112			RK73FB2B222J	CHIP R 2.2K J 1/8W	
CN4			E41-2204-05	FLAT CABLE CONNECTOR		R114			RK73GH2A513D	CHIP R 51K D 1/10W	
CN5			E41-2088-05	FLAT CABLE CONNECTOR		R115,116			RK73GB2A472J	CHIP R 4.7K J 1/10W	
CN6			E41-2953-15	FLAT CABLE CONNECTOR		R117			RK73GH2A113D	CHIP R 11K D 1/10W	
CN7			E41-2301-05	FLAT CABLE CONNECTOR		R201			RK73GB2A513J	CHIP R 51K J 1/10W	
J1			E59-0855-05	RECTANGULAR PLUG		R203			RK73GB2A563J	CHIP R 56K J 1/10W	
J2			E11-1001-05	3.5D PHONE JACK		R204			RK73GB2A472J	CHIP R 4.7K J 1/10W	
F1			F53-0297-05	FUSE (JL,CSA) 1.6A		R205-207			RK73GB2A000J	CHIP R 0.0 J 1/10W	
F100			F53-0280-05	FUSE 0.63A		R208			RK73GH2A432D	CHIP R 4.3K D 1/10W	
L1			L19-0788-05	TRANSFORMER FOR CONVERTER		R210			RK73GB2A105J	CHIP R 1.0M J 1/10W	
L2			L33-2316-05	CHOKE COIL		R211			RK73GH2A222D	CHIP R 2.2K D 1/10W	
L100			L33-2316-05	CHOKE COIL		R212			RK73GH2A153D	CHIP R 15K D 1/10W	
L101			L41-4792-13	SMALL FIXED INDUCTOR (4.7UH)		R213			RK73GB2A000J	CHIP R 0.0 J 1/10W	

PARTS LIST

VIDEO UNIT (X35-4890-10)

Ref. No.	Add	New	Parts No.	Description	Destination	Ref. No.	Add	New	Parts No.	Description	Destination
R214,215			RK73GB2A101J	CHIP R 100 J 1/10W		R615,616			RK73GB2A103J	CHIP R 10K J 1/10W	
R216			RK73GB2A000J	CHIP R 0.0 J 1/10W		R617			RK73EB2E100J	CHIP R 10 J 1/4W	
R217-221			RK73GB2A101J	CHIP R 100 J 1/10W		R618			RK73GB2A103J	CHIP R 10K J 1/10W	
R222			RK73GB2A000J	CHIP R 0.0 J 1/10W		R619			RK73EB2E100J	CHIP R 10 J 1/4W	
R223-225			RK73GB2A101J	CHIP R 100 J 1/10W		R620			RK73GB2A102J	CHIP R 1.0K J 1/10W	
R226,227			RK73GB2A000J	CHIP R 0.0 J 1/10W		R621			RK73EB2E100J	CHIP R 10 J 1/4W	
R228			RK73GB2A300J	CHIP R 30 J 1/10W		R622			RK73GB2A103J	CHIP R 10K J 1/10W	
R231			RK73GB2A101J	CHIP R 100 J 1/10W		R623-628			RK73EB2E100J	CHIP R 10 J 1/4W	
R233,234			RK73GB2A000J	CHIP R 0.0 J 1/10W		R629			RK73GB2A682J	CHIP R 6.8K J 1/10W	
R235			RK73GB2A101J	CHIP R 100 J 1/10W		R630			RK73EB2E100J	CHIP R 10 J 1/4W	
R237			RK73GB2A000J	CHIP R 0.0 J 1/10W		R632			RK73GB2A100J	CHIP R 10 J 1/10W	
R240			RK73GB2A820J	CHIP R 82 J 1/10W		R633			RK73EB2E101J	CHIP R 100 J 1/4W	
R241,242			RK73FB2B470J	CHIP R 47 J 1/8W		R700			RK73FB2B101J	CHIP R 100 J 1/8W	
R243			RK73GB2A473J	CHIP R 47K J 1/10W		R701			RK73GB2A221J	CHIP R 220 J 1/10W	
R244-246			RK73GB2A101J	CHIP R 100 J 1/10W		R706			RK73GB2A183J	CHIP R 18K J 1/10W	
R248			RK73GB2A473J	CHIP R 47K J 1/10W		R707			RK73GH2A471D	CHIP R 470 D 1/10W	
R251			RK73GB2A103J	CHIP R 10K J 1/10W		R708			RK73GH2A511D	CHIP R 510 D 1/10W	
R253-259			RK73GB2A101J	CHIP R 100 J 1/10W		R709			RK73GH2A361D	CHIP R 360 D 1/10W	
R260			RK73GH2A513D	CHIP R 51K D 1/10W		R710			RK73GB2A681J	CHIP R 680 J 1/10W	
R261			RK73GH2A433D	CHIP R 43K D 1/10W		R711			RK73GH2A201D	CHIP R 200 D 1/10W	
R262			RK73GB2A000J	CHIP R 0.0 J 1/10W		R712			RK73GH2A561D	CHIP R 560 D 1/10W	
R263			RK73GB2A103J	CHIP R 10K J 1/10W		R713			RK73GH2A201D	CHIP R 200 D 1/10W	
R264-266			RK73GB2A000J	CHIP R 0.0 J 1/10W		R716			RK73GB2A151J	CHIP R 150 J 1/10W	
R267			RK73GB2A103J	CHIP R 10K J 1/10W		VR200			R32-0350-05	SEMI FIXED VARIABLE RESISTOR	
R268			RK73GB2A102J	CHIP R 1.0K J 1/10W		S600			S70-0901-05	TACT SWITCH	
R269			RK73GB2A101J	CHIP R 100 J 1/10W		S701-704			S70-0901-05	TACT SWITCH	
R270			RK73GB2A472J	CHIP R 4.7K J 1/10W		S601			T99-0482-05	ROTARY ENCODER	
R271,272			RK73GB2A000J	CHIP R 0.0 J 1/10W		D1			UDZW5.6(B)	ZENER DIODE	
R273			RK73FB2B472J	CHIP R 4.7K J 1/8W		D2 ,3			1SS355	DIODE	
R274-277			RK73GB2A473J	CHIP R 47K J 1/10W		D4			UDZW5.6(B)	ZENER DIODE	
R278,279			RK73GB2A101J	CHIP R 100 J 1/10W		D5			MA2S784-F	DIODE	
R280-283			RK73GB2A103J	CHIP R 10K J 1/10W		D6			UDZW5.6(B)	ZENER DIODE	
R400			RK73GB2A000J	CHIP R 0.0 J 1/10W		D7 ,8			DA204U	DIODE	
R401			RK73GB2A272J	CHIP R 2.7K J 1/10W		D9			AVRM16120M6AB	VARIATOR	
R402			RK73GB2A101J	CHIP R 100 J 1/10W		D100			EP05Q06	DIODE	
R407			RK73GB2A272J	CHIP R 2.7K J 1/10W		D101-103			EP05Q04	DIODE	
R408			RK73GB2A102J	CHIP R 1.0K J 1/10W		D201,202			AVRM16270MAAB	VARIATOR	
R458			RK73GH2A202D	CHIP R 2.0K D 1/10W		D500-503			UDZW6.2(B)	ZENER DIODE	
R459			RK73GH2A182D	CHIP R 1.8K D 1/10W		D601-606			AVRM16180M6AB	VARIATOR	
R460			RK73GB2A222J	CHIP R 2.2K J 1/10W		D608-611			AVRM16180M6AB	VARIATOR	
R461			RK73GH2A473D	CHIP R 47K D 1/10W		D612			DA204U	DIODE	
R462			RK73GH2A333D	CHIP R 33K D 1/10W		D613			AVRM16270MAAB	VARIATOR	
R470			RK73GB2A103J	CHIP R 10K J 1/10W		D700			UDZW6.2(B)	ZENER DIODE	
R476			RK73GB2A103J	CHIP R 10K J 1/10W		D709-711			AVRM16180M6AB	VARIATOR	
R481			RK73GB2A103J	CHIP R 10K J 1/10W		D714-716			AVRM16180M6AB	VARIATOR	
R500,501			RK73GB2A333J	CHIP R 33K J 1/10W		D719			AVRM16180M6AB	VARIATOR	
R502-505			RK73EB2E100J	CHIP R 10 J 1/4W		D725			AVRM16180M6AB	VARIATOR	
R600,601			RK73GB2A103J	CHIP R 10K J 1/10W		D734			AVRM16180M6AB	VARIATOR	
R602,603			RK73EB2E100J	CHIP R 10 J 1/4W		IC1			OZ964ISN-C-SN	ANALOGUE IC	
R604,605			RK73GB2A103J	CHIP R 10K J 1/10W		IC101			74AHC1G04GW	MOS-IC	
R608			RK73GB2A272J	CHIP R 2.7K J 1/10W		IC102			LT1947-PBF	ANALOGUE IC	
R609,610			RK73GB2A303J	CHIP R 30K J 1/10W		IC200			S-1112B25MCG	ANALOGUE IC	
R611,612			RK73GB2A103J	CHIP R 10K J 1/10W		IC201			TA75W558FU-F	ANALOGUE IC	
R613			RK73GB2A750J	CHIP R 75 J 1/10W							
R614			RK73GB2A102J	CHIP R 1.0K J 1/10W							

E: DDX5024 E1: DNX5240 E2: DNX5240BT (Europe) Q1: DDX5054 Q2: DDX54R (Russian)
 K: DDX514 K1: DNX5140 K2: DNX6140 K3: DNX6000EX (North America)
 X1: DDX5034 (Australia) R1: DDX5034 R2: DDX5034BT (Latin America)
 M1: DDX5034 M2: DDX5034M (Other Areas)

△ Indicates safety critical components.

PARTS LIST

VIDEO UNIT (X35-4890-10)

Ref. No.	Add	New	Parts No.	Description	Destination
IC202			TC7WH74FU-F	MOS-IC	
IC203			MST7988LA-ALF	MOS-IC	
IC204			74AHC1G32GW	MOS-IC	
IC205			XC6201P532MR	ANALOGUE IC	
IC206			74LVC3G34DP	MOS-IC	
IC207			AT25F2048-4Z7	ROM IC	
IC208			XC6201P502MR	ANALOGUE IC	
IC501			74AHCT1G08GW	MOS-IC	
IC700			PIC95603	ANALOGUE IC	
Q1 ,2			2SC4081	TRANSISTOR	
Q3		*	KRC406-P	DIGITAL TRANSISTOR	
Q4 ,5			SI5504DC-E3	DUAL FET	
Q100			2SC4081	TRANSISTOR	
Q101			2SA1576A	TRANSISTOR	
Q201			2SC4097	TRANSISTOR	
Q202			2SA1577	TRANSISTOR	
Q400,401			2SA1576A	TRANSISTOR	
Q450		*	KRC405-P	DIGITAL TRANSISTOR	
Q451			UMZ1N	TRANSISTOR	
Q500,501		*	KRC405-P	DIGITAL TRANSISTOR	
Q502		*	KRA305-P	DIGITAL TRANSISTOR	
Q503		*	KRC406-P	DIGITAL TRANSISTOR	
Q504		*	KRA305-P	DIGITAL TRANSISTOR	
Q600-604			2SC4081	TRANSISTOR	
Q606			KRA304-P	DIGITAL TRANSISTOR	

DVD UNIT(X37-1250-00) IN DVD MECHA.

C3			CK73HB1A104K	CHIP C	0.10UF	K
C4			CC73HCH1H471J	CHIP C	470PF	J
C5 -7			CK73HB1E103K	CHIP C	0.010UF	K
C8			CC73HCH1H471J	CHIP C	470PF	J
C9			CK73HB0J105K	CHIP C	1.0UF	K
C11 ,12			CK73HB1E103K	CHIP C	0.010UF	K
C13			CK73HB1H472K	CHIP C	4700PF	K
C14			CK73GB0J106M	CHIP C	10UF	M
C15			CK73HB1A104K	CHIP C	0.10UF	K
C16			CK73GB0J106M	CHIP C	10UF	M
C17			CK73GB0J475K	CHIP C	4.7UF	K
C18			CK73FB0J226M	CHIP C	22UF	M
C21			CK73GB0J106M	CHIP C	10UF	M
C22 ,23			CK73GB0J475K	CHIP C	4.7UF	K
C50			CK73HB1E103K	CHIP C	0.010UF	K
C51			CK73HB1A104K	CHIP C	0.10UF	K
C52			CK73HB1E223K	CHIP C	0.022UF	K
C53			CC73HCH1H470J	CHIP C	47PF	J
C54			CC73HCH1H102J	CHIP C	1000PF	J
C55			CC73HCH1H100D	CHIP C	10PF	D
C56			CC73HCH1H102J	CHIP C	1000PF	J
C57			CC73HCH1E681J	CHIP C	680PF	J
C58			CK73HB1H682K	CHIP C	6800PF	K
C60 ,61			CK73HB1A104K	CHIP C	0.10UF	K
C62			CC73HCH1H102J	CHIP C	1000PF	J
C63			CC73HCH1H331J	CHIP C	330PF	J
C64			CK73HB1H222K	CHIP C	2200PF	K
C65			CC73HCH1E681J	CHIP C	680PF	J
C66			CK73HB1H152K	CHIP C	1500PF	K

Ref. No.	Add	New	Parts No.	Description	Destination
C67 ,68			CC73HCH1H102J	CHIP C	1000PF J
C69 -72			CC73HCH1H151J	CHIP C	150PF J
C73 -82			CK73HB1A104K	CHIP C	0.10UF K
C84			CK73HB0J105K	CHIP C	1.0UF K
C85			CK73HB1A104K	CHIP C	0.10UF K
C90			CK73HB1E103K	CHIP C	0.010UF K
C93 -95			CK73HB1A104K	CHIP C	0.10UF K
C97			CK73HB1A104K	CHIP C	0.10UF K
C99			CK73HB1A104K	CHIP C	0.10UF K
C100			CK73FB0J226M	CHIP C	22UF M
C101			CK73GB0J475K	CHIP C	4.7UF K
C103			CK73FB0J226M	CHIP C	22UF M
C104			CK73GB0J475K	CHIP C	4.7UF K
C120,121			CK73HB1E223K	CHIP C	0.022UF K
C143,144			CC73HCH1H100D	CHIP C	10PF D
C202			CK73FB0J226M	CHIP C	22UF M
C207,208			CK73HB1A104K	CHIP C	0.10UF K
C210			CK73HB1A104K	CHIP C	0.10UF K
C212			CK73HB1A104K	CHIP C	0.10UF K
C213			CK73HB1H332K	CHIP C	3300PF K
C214,215			CK73HB1A104K	CHIP C	0.10UF K
C216			CC73HCH1H471J	CHIP C	470PF J
C217			CK73HB1A104K	CHIP C	0.10UF K
C218			CK73HB1C473K	CHIP C	0.047UF K
C219-222			CK73HB1A104K	CHIP C	0.10UF K
C223			CK73HB0J105K	CHIP C	1.0UF K
C224			CK73HB1A104K	CHIP C	0.10UF K
C225			CK73GB0J475K	CHIP C	4.7UF K
C227			CK73FB0J226M	CHIP C	22UF M
C434			CK73GB0J106M	CHIP C	10UF M
C435			CK73HB1E103K	CHIP C	0.010UF K
C440-442			CK73FB0J226M	CHIP C	22UF M
C446			CC73HCH1H101J	CHIP C	100PF J
C447,448			CC73HCH1H102J	CHIP C	1000PF J
C449,450			CK73HB1H472K	CHIP C	4700PF K
C451			CC73HCH1H102J	CHIP C	1000PF J
C452-454			CK73HB0J105K	CHIP C	1.0UF K
C455			CK73FB0J226M	CHIP C	22UF M
CN1			E41-2594-05	FLAT CABLE CONNECTOR	
CN2			E41-2114-15	FLAT CABLE CONNECTOR	
CN3			E41-2596-05	FLAT CABLE CONNECTOR	
L1			L92-0365-05	CHIP FERRITE	
L5			L92-0365-05	CHIP FERRITE	
X2		*	L77-3803-05	CRYSTAL RESONATOR (16.897849MHZ)	
CP2 -4			RK74HB1J103J	CHIP-COM	10K J 1/16W
CP5 -9			RK74HB1J330J	CHIP-COM	33 J 1/16W
CP10			RK74HB1J820J	CHIP-COM	82 J 1/16W
CP11			RK74HB1J103J	CHIP-COM	10K J 1/16W
R1			RK73HB1J103J	CHIP R	10K J 1/16W
R3 ,4			RK73HB1J103J	CHIP R	10K J 1/16W
R5 ,6			RK73HH1J123D	CHIP R	12K D 1/16W
R7			RK73HH1J333D	CHIP R	33K D 1/16W
R8 ,9			RK73HB1J103J	CHIP R	10K J 1/16W
R10			RK73HB1J163J	CHIP R	16K J 1/16W

E: DDX5024 E1: DNX5240 E2: DNX5240BT (Europe) Q1: DDX5054 Q2: DDX54R (Russian)

△Indicates safety critical components.

K: DDX514 K1: DNX5140 K2: DNX6140 K3: DNX6000EX (North America)

66 X1: DDX5034 (Australia) R1: DDX5034 R2: DDX5034BT (Latin America)

M1: DDX5034 M2: DDX5034M (Other Areas)

PARTS LIST

The IC3, and IC11 in the DVD unit (X37-1250-00) are not replaceable components. When these ICs are defective, replace the whole DVD mechanism assembly (X92-6400-00).

DVD UNIT(X37-1250-00) IN DVD MECHA.

Ref. No.	Add	New	Parts No.	Description	Destination
R11			RK73HB1J102J	CHIP R 1.0K J 1/16W	
R13			RK73HB1J103J	CHIP R 10K J 1/16W	
R16			RK73HB1J103J	CHIP R 10K J 1/16W	
R17			RK73HB1J271J	CHIP R 270 J 1/16W	
R19			RK73HB1J301J	CHIP R 300 J 1/16W	
R21,22			RK73HH1J103D	CHIP R 10K D 1/16W	
R31			RK73HB1J102J	CHIP R 1.0K J 1/16W	
R50,51			RK73HB1J510J	CHIP R 51 J 1/16W	
R52			RK73HH1J153D	CHIP R 15K D 1/16W	
R53			RK73HB1J105J	CHIP R 1.0M J 1/16W	
R54			RK73HB1J472J	CHIP R 4.7K J 1/16W	
R55			RK73HB1J103J	CHIP R 10K J 1/16W	
R56			RK73HH1J472D	CHIP R 4.7K D 1/16W	
R57,58			RK73HB1J202J	CHIP R 2.0K J 1/16W	
R59,60			RK73HB1J103J	CHIP R 10K J 1/16W	
R63			RK73HB1J103J	CHIP R 10K J 1/16W	
R64,65			RK73HB1J472J	CHIP R 4.7K J 1/16W	
R81			RK73HB1J102J	CHIP R 1.0K J 1/16W	
R83,84			RK73HB1J473J	CHIP R 47K J 1/16W	
R85			RK73HB1J223J	CHIP R 22K J 1/16W	
R86			RK73HB1J103J	CHIP R 10K J 1/16W	
R87			RK73HB1J105J	CHIP R 1.0M J 1/16W	
R88			RK73HB1J222J	CHIP R 2.2K J 1/16W	
R89,90			RK73HB1J123J	CHIP R 12K J 1/16W	
R91			RK73HB1J472J	CHIP R 4.7K J 1/16W	
R92			RK73HB1J273J	CHIP R 27K J 1/16W	
R96			RK73HB1J103J	CHIP R 10K J 1/16W	
R98			RK73HB1J202J	CHIP R 2.0K J 1/16W	
R101			RK73HH1J273D	CHIP R 27K D 1/16W	
R105			RK73HB1J103J	CHIP R 10K J 1/16W	
R120			RK73HB1J103J	CHIP R 10K J 1/16W	
R121			RK73HB1J820J	CHIP R 82 J 1/16W	
R122			RK73HB1J103J	CHIP R 10K J 1/16W	
R123			RK73HB1J330J	CHIP R 33 J 1/16W	
R124-126			RK73HB1J820J	CHIP R 82 J 1/16W	
R150,151			RK73HB1J102J	CHIP R 1.0K J 1/16W	
R152,153			RK73HB1J104J	CHIP R 100K J 1/16W	
R154,155			RK73HB1J103J	CHIP R 10K J 1/16W	
R158,159			RK73HB1J1R0J	CHIP R 1.0 J 1/16W	
R160			R92-3350-05	CHIP R 2.2 F 1/10W	
R162,163			RK73HB1J104J	CHIP R 100K J 1/16W	
R164,165			RK73HH1J101D	CHIP R 100 D 1/16W	
R167			RK73HH1J113D	CHIP R 11K D 1/16W	
R168			RK73HH1J273D	CHIP R 27K D 1/16W	
R169			RK73HB1J125J	CHIP R 1.2M J 1/16W	
R255			R92-5112-05	CHIP R 4.7 F 1/10W	
R257			RK73HH1J202D	CHIP R 2.0K D 1/16W	
R260			RK73HH1J132D	CHIP R 1.3K D 1/16W	
R261			RK73HH1J203D	CHIP R 20K D 1/16W	
R262			RK73HB1J821J	CHIP R 820 J 1/16W	
R263			RK73HB1J242J	CHIP R 2.4K J 1/16W	
R272			RK73HH1J682D	CHIP R 6.8K D 1/16W	
R273			RK73HH1J122D	CHIP R 1.2K D 1/16W	
R274			RK73HH1J682D	CHIP R 6.8K D 1/16W	
R275			RK73HH1J122D	CHIP R 1.2K D 1/16W	

Ref. No.	Add	New	Parts No.	Description	Destination
R278			R92-5112-05	CHIP R 4.7 F 1/10W	
R284			RK73HB1J000J	CHIP R 0.0 J 1/16W	
R288			R92-3416-05	CHIP R 2.7 1/10W	
R289			RK73HB1J000J	CHIP R 0.0 J 1/16W	
R297			RK73HB1J000J	CHIP R 0.0 J 1/16W	
R298,299			RK73HB1J330J	CHIP R 33 J 1/16W	
R300			RK73HB1J103J	CHIP R 10K J 1/16W	
S1			S68-0911-15	PUSH SWITCH	
S2		*	S68-0917-05	PUSH SWITCH	
D1			1SS402-F	DIODE	
D5,6			015AZ5.1-F(Y)	ZENER DIODE	
D8			1SS387-F	DIODE	
IC1			AN22022ABV	ANALOGUE IC	
IC3		*	-	ROM IC	
IC4			MN103S71F	MOS-IC	
IC5			S1000N284T1G	ANALOGUE IC	
IC10			AN41250A-VB	ANALOGUE IC	
IC11		*	-	ROM IC	
IC13		*	NJM2845DL115B	ANALOGUE IC	
IC14		*	NJM2845DL133B	ANALOGUE IC	
Q1-4			DTA143XE	DIGITAL TRANSISTOR	
Q12,13			2SB1709	TRANSISTOR	
Q16			UM6K1N	DUAL FET	

DAUGHTER UNIT (X89-3062-70)

Ref. No.	Add	New	Parts No.	Description	Destination
C1			CC73GCH1H180J	CHIP C 18PF J	E1E2
C2			CC73GCH1H070D	CHIP C 7.0PF D	E1E2
C3			CC73GCH1H150J	CHIP C 15PF J	E1E2
C4			CC73GCH1H180J	CHIP C 18PF J	E1E2
C5			CC73GCH1H390J	CHIP C 39PF J	E1E2
C6			CC73GCH1H020C	CHIP C 2.0PF C	E1E2
C7			CC73GCH1H120J	CHIP C 12PF J	E1E2
C8			CK73FB1C105K	CHIP C 1.0UF K	E1E2
C10-12			CC73GCH1H102J	CHIP C 1000PF J	E1E2
C13			CC73GCH1H221J	CHIP C 220PF J	E1E2
C14			CC73GCH1H030C	CHIP C 3.0PF C	E1E2
C15,16			CC73GCH1H560J	CHIP C 56PF J	E1E2
C17			CC73GCH1H102J	CHIP C 1000PF J	E1E2
CN1			E41-3008-05	PIN ASSY	E1E2
W1			E30-6808-05	CORD WITH PLUG (ANT)	E1E2
W2			E30-6807-05	CORD WITH PLUG	E1E2
L1			L41-2705-33	SMALL FIXED INDUCTOR (27U)	E1E2
L2			L41-1588-18	SMALL FIXED INDUCTOR	E1E2
L3			L41-1805-33	SMALL FIXED INDUCTOR (18U)	E1E2
L4,5			L41-1588-18	SMALL FIXED INDUCTOR	E1E2
L6			L19-0825-05	BALUN TRANSFORMER	E1E2
L8			L41-1888-18	SMALL FIXED INDUCTOR (0.18U)	E1E2
R1			RK73GB2A104J	CHIP R 100K J 1/10W	E1E2
R3			RK73GB2A562J	CHIP R 5.6K J 1/10W	E1E2
R4			RK73GB2A332J	CHIP R 3.3K J 1/10W	E1E2
R5			RK73GB2A331J	CHIP R 330 J 1/10W	E1E2
R6			RK73GB2A391J	CHIP R 390 J 1/10W	E1E2
R7,8			RK73GB2A330J	CHIP R 33 J 1/10W	E1E2

E: DDX5024 E1: DNX5240 E2: DNX5240BT (Europe) Q1: DDX5054 Q2: DDX54R (Russian)
 K: DDX514 K1: DNX5140 K2: DNX6140 K3: DNX6000EX (North America)
 X1: DDX5034 (Australia) R1: DDX5034 R2: DDX5034BT (Latin America)
 M1: DDX5034 M2: DDX5034M (Other Areas)

△ Indicates safety critical components.

PARTS LIST

DAUGHTER UNIT (X89-3062-70)

Ref. No.	A d d	N e w	Parts No.	Description	Desti- nation
R10			RK73GB2A431J	CHIP R 430 J 1/10W	E1E2
R11			RK73GB2A270J	CHIP R 27 J 1/10W	E1E2
R12			RK73GB2A431J	CHIP R 430 J 1/10W	E1E2
R13			RK73GB2A151J	CHIP R 150 J 1/10W	E1E2
R14			RK73GB2A431J	CHIP R 430 J 1/10W	E1E2
R15			RK73GB2A270J	CHIP R 27 J 1/10W	E1E2
R17			RK73GB2A431J	CHIP R 430 J 1/10W	E1E2
D1			IMSA-6801-E	SURGE ABSORBER	E1E2
Q1			2SC3357-A	TRANSISTOR	E1E2

DVD MECHANISM ASSY(X92-6400-00) (DVS-8220W)

1	1A		A10-5523-01+	CHASSIS	
2	2B		A10-5524-01+	CHASSIS	
3	1A		A10-5525-01+	CHASSIS	
4	3A		A10-5526-02+	CHASSIS	
7	1B		D10-7080-02+	ARM	
8	1B		D10-7081-02+	ARM	
9	1B		D10-7082-02+	LEVER	
10	1B		D10-7083-02+	LEVER	
12	2B		D10-7084-02+	SLIDER	
13	2A		D10-7085-02+	ARM	
14	2B		D10-7086-03+	ARM	
15	2B		D10-7087-02+	ARM	
25	2B		D10-7092-04+	SLIDER ASSY	
27	2A		D10-7091-04+	LEVER	
28	2B		D12-0640-02+	CAM	
31	2B		D13-3029-04+	GEAR	
32	2B		D13-3030-04+	GEAR	
33	2B		D13-3031-04+	GEAR	
34	2B		D13-3032-04+	GEAR	
35	2B		D13-3033-04+	GEAR	
36	2B		D13-3034-04+	GEAR	
40	2A		D13-3038-04+	GEAR	
41	2A		D13-3039-04+	GEAR	
42	2A		D13-3040-04+	GEAR	
43	1B		D14-1034-04+	ROLLER	
53	1B		D21-2487-24	SHAFT	
54	2A		D39-0275-05	DAMPER	
55	2A		D39-0276-05	DAMPER	
60	3A	*	F09-3019-03	SHEET	
65	2B		G01-4734-04	EXTENSION SPRING	
66	1B		G01-4735-04	EXTENSION SPRING	
67	2A		G01-4736-04	TORSION COIL SPRING	
68	2B		G01-4737-04	EXTENSION SPRING	
69	1B		G01-4738-04	EXTENSION SPRING	
70	1B		G01-4740-04	TORSION COIL SPRING	
74	2B		G01-4739-04	TORSION COIL SPRING	
75	1B		G02-1904-03+	FLAT SPRING	
79	2A		J22-0890-01+	MOUNTING HARDWARE	
80	3B		J22-0891-01+	MOUNTING HARDWARE	
A	1A		N09-6382-05	MACHINE SCREW (M1.7X2.0)	
B	3B		N09-6408-15	TAPTITE SCREW (1.7X4 P-TITE)	
C	1B		N09-6426-15	MACHINE SCREW (LOAD ARM SCREW)	

Ref. No.	A d d	N e w	Parts No.	Description	Desti- nation
D	3A		N09-6104-05	MACHINE SCREW (2X10 S-TITE)	
93	2A		T99-0471-05	MAGNET	
96	1B		X94-2080-00	ROLLER ASSY	
98	2A		X94-2060-00	TRAVERSE ASSY (PICKUP,SPINDLE)	
VM1	2A		X94-2070-00	MOTOR ASSY (LOADING)	

E: DDX5024 E1: DNX5240 E2: DNX5240BT (Europe) Q1: DDX5054 Q2: DDX54R (Russian)

△Indicates safety critical components.

K: DDX514 K1: DNX5140 K2: DNX6140 K3: DNX6000EX (North America)

68 X1: DDX5034 (Australia) R1: DDX5034 R2: DDX5034BT (Latin America)

M1: DDX5034 M2: DDX5034M (Other Areas)

SPECIFICATIONS (DDX5024/5054/54R, DNX5240/5240BT: E,Q TYPE)

Monitor section

Picture Size 6.1 inches (diagonal) wide
 136.1 mm (W) x 72.0 mm (H)
 Display System..... Transparent TN LCD panel
 Drive System TFT active matrix system
 Number of Pixels 336,960 (480H x 234V x RGB)
 Effective Pixels 99.99 %
 Pixel Arrangement RGB striped arrangement
 Back Lighting Cold Cathode Fluorescent Tube

DVD player section

D/A Converter..... 24 bit
 Audio Decoder
 Linear PCM/ Dolby Digital/ dts/ MP3/ WMA/ WAV/ AAC
 Video Decoder..... MPEG1/ MPEG2/ Divx
 Wow & Flutter Below Measurable Limit
 Frequency Response
 Sampling frequency 96 kHz : 20 – 44,000 Hz
 Sampling frequency 48 kHz : 20 – 22,000 Hz
 Sampling frequency 44.1 kHz : 20 – 20,000 Hz
 Total Harmonic Distortion..... 0.010 % (1 kHz)
 S/N Ratio (dB)..... 98 dB (DVD-Video 96 kHz)
 Dynamic Range 98 dB (DVD-Video 96 kHz)
 Disc Format DVD-Video/ VIDEO-CD/ CD-DA
 Sampling Frequency 44.1/ 48/ 96 kHz
 Quantifying Bit Number 16/ 20/ 24 bit

USB interface section

USB Standard USB 1.1/ 2.0 (High Speed)
 File System FAT 16/ 32
 Maximum Power Supply Current 500 mA
 D/A Converter..... 24 Bit
 Audio Decoder MP3/ WMA/ WAV/ AAC
 Video Decoder (Max: 2 Mbps)..... MPEG1/ MPEG2/ Divx

FM tuner section

Frequency Range (50 kHz) 87.5 MHz – 108.0 MHz
 Usable Sensitivity (S/N : 26 dB) 0.7 μ V/ 75 Ω
 Quieting Sensitivity (S/N : 46 dB) 1.6 μ V/ 75 Ω
 Frequency Response (\pm 3.0 dB)..... 30 Hz – 15 kHz
 S/N Ratio (dB)..... 65 dB (MONO)
 Selectivity (\pm 400 kHz) \geq 80 dB
 Stereo Separation..... 35 dB (1 kHz)

LW tuner section

Frequency Range (9 kHz) 153 kHz – 281 kHz
 Usable Sensitivity 45 μ V

MW tuner section

Frequency Range (9 kHz) 531 kHz – 1611 kHz
 Usable Sensitivity 25 μ V

Video section

Color System of External Video Input NTSC/PAL
 External Video Input Level (mini jack)..... 1 Vp-p/ 75 Ω

External Audio Max Input Level (mini jack) 2 V/ 25 k Ω
 Video Output Level (RCA jacks) 1 Vp-p/ 75 Ω
 Audio Output Level (RCA jacks) 1.2 V/ 10 k Ω
 Analog RGB input (DDX5024/DDX5054/DDX54R only)
 0.7 Vp-p/ 75 Ω

Audio section

Maximum Power (Front & Rear) 50 W x 4
 Full Bandwidth Power (Front & Rear)
 (PWR DIN 45324, +B=14.4V)..... 30 W x 4
 Preout Level (V) 2 V/ 10 k Ω
 Preout Impedance \leq 600 Ω
 Speaker Impedance 4 – 8 Ω
 Tone action
 Bass 100 Hz \pm 10 dB
 Middle 1 kHz \pm 10 dB
 Treble 10 kHz \pm 10 dB

Bluetooth section (DNX5240BT only)

Technology Bluetooth Ver.1.2 Certified
 Frequency..... 2.402 – 2.480 GHz
 Output Power ...+4 dBm (MAX), 0 dBm (AVE), Power Class 2
 Profile
 HFP (Hands Free Profile), SPP (Serial Port Profile),
 HSP (Headset Profile), A2DP (Advanced Audio
 Distribution Profile), AVRCP (Audio/Video
 Remote Control Profile), OPP (Object Push Profile),
 PBAP (Phonebook Access Profile),
 SYNC (Synchronization Profile)

Navigation section (DNX5240BT/DNX5240 only)

Receiver..... High-sensitivity GPS receiver
 Reception Frequency 1575.42 MHz (C/A code)
 Acquisition Times
 Cold..... < 38 seconds
 Factory Reset..... < 45 seconds
 (On average for a stationary receiver with a clear view of the sky)
 Accuracy
 Position < 10 meters typical
 Velocity..... 0.05 m/sec. RMS
 Position Method GPS
 Antenna External GPS antenna

General

Operating voltage
 DNX5240BT 14.4 V (10.5 – 16 V allowable)
 DNX5240/DDX5024/DDX5054/DDX54R
 14.4 V (11 – 16 V allowable)
 Maximum Current Consumption 15 A (Max)
 Dimensions (W x H x D) 182 x 112 x 158 mm
 Operational Temperature Range -10 $^{\circ}$ C – +60 $^{\circ}$ C
 Storage Temperature Range -20 $^{\circ}$ C – +85 $^{\circ}$ C
 Weight
 DNX5240BT/DNX5240 1.90 kg
 DDX5024/DDX5054/DDX54R 1.87 kg

SPECIFICATIONS (DDX5034/5034M: X,M TYPE)**Monitor section**

Picture Size 6.1 inches (diagonal) wide
 136.1 mm (W) x 72.0 mm (H)
 Display System..... Transparent TN LCD panel
 Drive System TFT active matrix system
 Number of Pixels 336,960 (480H x 234V x RGB)
 Effective Pixels 99.99 %
 Pixel Arrangement RGB striped arrangement
 Back Lighting Cold Cathode Fluorescent Tube

DVD player section

D/A Converter..... 24 bit
 Audio Decoder
 Linear PCM/ Dolby Digital/ dts/ MP3/ WMA/ WAV/ AAC
 Video Decoder..... MPEG1/ MPEG2/ Divx
 Wow & Flutter Below Measurable Limit
 Frequency Response
 Sampling frequency 96 kHz : 20 – 44,000 Hz
 Sampling frequency 48 kHz : 20 – 22,000 Hz
 Sampling frequency 44.1 kHz : 20 – 20,000 Hz
 Total Harmonic Distortion..... 0.010 % (1 kHz)
 S/N Ratio (dB)..... 98 dB (DVD-Video 96 kHz)
 Dynamic Range 98 dB (DVD-Video 96 kHz)
 Disc Format DVD-Video/ VIDEO-CD/ CD-DA
 Sampling Frequency 44.1/ 48/ 96 kHz
 Quantifying Bit Number 16/ 20/ 24 bit

USB interface section

USB Standard USB 1.1/ 2.0 (High Speed)
 File System FAT 16/ 32
 Maximum Power Supply Current 500 mA
 D/A Converter..... 24 Bit
 Audio Decoder MP3/ WMA/ WAV/ AAC
 Video Decoder (Max: 2 Mbps)..... MPEG1/ MPEG2/ Divx

FM tuner section

Frequency Range 87.5 MHz – 108.0 MHz (50 kHz)
 87.9 MHz – 107.9 MHz (200 kHz)
 Usable Sensitivity (S/N : 26 dB) 9.3 dBf (0.8 μ V/ 75 Ω)
 Quieting Sensitivity (S/N : 46 dB) 15.2 dBf (1.6 μ V/ 75 Ω)
 Frequency Response (\pm 3.0 dB)..... 30 Hz – 15 kHz
 S/N Ratio (dB)..... 70 dB (MONO)
 Selectivity (\pm 400 kHz)..... \geq 80 dB
 Stereo Separation..... 40 dB (1 kHz)

AM tuner section (Type X)

Frequency Range 531 kHz – 1611 kHz (9 kHz)
 530 kHz – 1700 kHz (10 kHz)
 Usable Sensitivity 28 dB μ

LW tuner section (Type M/Type M2)

Frequency Range (9 kHz) 153 kHz – 281 kHz
 Usable Sensitivity 45 μ V

MW tuner section (Type M/Type M2)

Frequency Range (9 kHz) 531 kHz – 1611 kHz
 Usable Sensitivity 25 μ V

Video section

Color System of External Video Input NTSC/PAL
 External Video Input Level (mini jack)..... 1 Vp-p/ 75 Ω
 External Audio Max Input Level (mini jack) 2 V/ 25 k Ω
 Video Output Level (RCA jacks) 1 Vp-p/ 75 Ω
 Audio Output Level (RCA jacks)..... 1.2 V/ 10 k Ω
 Analog RGB input..... 0.7 Vp-p/ 75 Ω

Audio section

Maximum Power (Front & Rear) 50 W x 4
 Full Bandwidth Power (Front & Rear) (at less than 1 % THD)
 22 W x 4
 Preout Level (V) 2 V/ 10 k Ω
 Preout Impedance \leq 600 Ω
 Speaker Impedance 4 – 8 Ω
 Tone action
 Bass 100 Hz \pm 10 dB
 Middle 1 kHz \pm 10 dB
 Treble 10 kHz \pm 10 dB

General

Operating voltage 14.4 V (11 – 16 V allowable)
 Maximum Current Consumption 15 A
 Dimensions (W x H x D) 182 x 112 x 158 mm
 Operational Temperature Range -10 $^{\circ}$ C – +60 $^{\circ}$ C
 Storage Temperature Range -20 $^{\circ}$ C – +85 $^{\circ}$ C
 Weight 1.87 kg

SPECIFICATIONS (DDX5034/5034BT/514, DNX5140/6000EX/6140: K,R TYPE)

Monitor section

Picture Size 6.1 inches (diagonal) wide
 136.1 mm (W) x 72.0 mm (H)
 Display System..... Transparent TN LCD panel
 Drive System TFT active matrix system
 Number of Pixels..... 336,960 (480H x 234V x RGB)
 Effective Pixels 99.99 %
 Pixel Arrangement RGB striped arrangement
 Back Lighting Cold Cathode Fluorescent Tube

DVD player section

D/A Converter..... 24 bit
 Audio Decoder
 Linear PCM/ Dolby Digital/ dts/ MP3/ WMA/ WAV/ AAC
 Video Decoder..... MPEG1/ MPEG2
 Wow & Flutter Below Measurable Limit
 Frequency Response
 Sampling frequency 96 kHz : 20 – 44,000 Hz
 Sampling frequency 48 kHz : 20 – 22,000 Hz
 Sampling frequency 44.1 kHz : 20 – 20,000 Hz
 Total Harmonic Distortion..... 0.010 % (1 kHz)
 S/N Ratio (dB)..... 98 dB (DVD-Video 96 kHz)
 Dynamic Range 98 dB (DVD-Video 96 kHz)
 Disc Format DVD-Video/ VIDEO-CD/ CD-DA
 Sampling Frequency 44.1/ 48/ 96 kHz
 Quantifying Bit Number 16/ 20/ 24 bit

USB interface section

USB Standard USB 1.1/ 2.0 (High Speed)
 File System FAT 16/ 32
 Maximum Power Supply Current 500 mA
 D/A Converter..... 24 Bit
 Audio Decoder MP3/ WMA/ WAV/ AAC
 Video Decoder (Max: 2 Mbps)..... MPEG1/ MPEG2

FM tuner section

Frequency Range (200 kHz) 87.9 MHz – 107.9 MHz
 Usable Sensitivity (S/N : 30 dB) 9.3 dBf (0.8 μ V/ 75 Ω)
 Quieting Sensitivity (S/N : 50 dB) 15.2 dBf (1.6 μ V/ 75 Ω)
 Frequency Response (\pm 3.0 dB)..... 30 Hz – 15 kHz
 S/N Ratio (dB)..... 70 dB (MONO)
 Selectivity (\pm 400 kHz) \geq 80 dB
 Stereo Separation..... 40 dB (1 kHz)

AM tuner section

Frequency Range (10 kHz) 530 kHz – 1700 kHz
 Usable Sensitivity 28 dB μ

Video section

Color System of External Video Input NTSC
 External Video Input Level (mini jack)..... 1 Vp-p/ 75 Ω
 External Audio Max Input Level (mini jack) 2 V/ 25 k Ω
 Video Output Level (RCA jacks) 1 Vp-p/ 75 Ω
 Audio Output Level (RCA jacks)..... 1.2 V/ 10 k Ω
 Analog RGB input (DDX514/DDX5034/DDX5034BT only)
 0.7 Vp-p/ 75 Ω

Audio section

Maximum Power (Front & Rear) 50 W x 4
 Full Bandwidth Power (Front & Rear)
 (4 Ω , 14.4 V, 1 % THD) 22 W x 4
 Preout Level (V) 2 V/ 10 k Ω
 Preout Impedance \leq 600 Ω
 Speaker Impedance 4 – 8 Ω
 Tone action
 Bass 100 Hz \pm 10 dB
 Middle 1 kHz \pm 10 dB
 Treble 10 kHz \pm 10 dB

Bluetooth section

(DNX6140/DNX6000EX/DDX5034BT only)

Technology Bluetooth Ver.1.2 Certified
 Frequency..... 2.402 – 2.480 GHz
 Output Power ...+4 dBm (MAX), 0 dBm (AVE), Power Class 2
 Profile
 HFP (Hands Free Profile), SPP (Serial Port Profile),
 HSP (Headset Profile), A2DP (Advanced Audio
 Distribution Profile), AVRCP (Audio/Video
 Remote Control Profile), OPP (Object Push Profile),
 PBAP (Phonebook Access Profile),
 SYNC (Synchronization Profile)

Navigation section

(DNX6140/DNX6000EX/DNX5140 only)

Receiver..... High-sensitivity GPS receiver
 Reception Frequency 1575.42 MHz (C/A code)
 Acquisition Times
 Cold..... < 38 seconds
 Factory Reset..... < 45 seconds
 (On average for a stationary receiver with a clear view of the sky)
 Accuracy
 Position < 10 meters typical
 Velocity..... 0.05 m/sec. RMS
 Position Method GPS
 Antenna External GPS antenna

DDX5024/5034/5034BT/5034M/5054/514/54R

DNX5140/5240/5240BT/6000EX/6140

SPECIFICATIONS (DDX5034/5034BT/514, DNX5140/6000EX/6140: K,R TYPE)

General

Operating voltage

DNX6140/DNX6000EX/DDX5034BT

..... 14.4 V (10.5 – 16 V allowable)

DNX5140/DDX514/DDX5034

..... 14.4 V (11 – 16 V allowable)

Maximum Current Consumption 15 A

Dimensions (W × H × D) 182 × 112 × 158 mm

..... 7-3/16 × 4-7/16 × 6-1/4 inch

Operational Temperature Range -10 °C – +60 °C

Storage Temperature Range -20 °C – +85 °C

Weight

DNX6140/DNX6000EX/DNX5140 1.90 kg (4.2 lbs)

DDX514/DDX5034/DDX5034BT 1.87 kg (4.1 lbs)

KENWOOD follows a policy of continuous advancements in development. For this reason specifications may be changed without notice.

Although the effective pixels for the liquid crystal panel is given as 99.99% or more, 0.01% of pixels may not light or may light incorrectly.

US and foreign patents licensed from Dolby Laboratories.

DANGER:

Please do not look at the laser beam directly during repair or operation check.

